

Rochester Electronics Manufactured Components

Rochester branded components are manufactured using either die/wafers purchased from the original suppliers or Rochester wafers recreated from the original IP. All recreations are done with the approval of the OCM.

Parts are tested using original factory test programs or Rochester developed test solutions to guarantee product meets or exceed the OCM data sheet.

Quality Overview

- ISO-9001
- AS9120 certification
- Qualified Manufacturers List (QML) MIL-PRF-35835
 - Class Q Military
 - Class V Space Level
- Qualified Suppliers List of Distributors (QSLD)
 - Rochester is a critical supplier to DLA and meets all industry and DLA standards.

Rochester Electronics, LLC is committed to supplying products that satisfy customer expectations for quality and are equal to those originally supplied by industry manufacturers.

The original manufacturer's datasheet accompanying this document reflects the performance and specifications of the Rochester manufactured version of this device. Rochester Electronics guarantees the performance of its semiconductor products to the original OEM specifications. 'Typical' values are for reference purposes only. Certain minimum or maximum ratings may be based on product characterization, design, simulation, or sample testing.

SN65553, SN65554, SN75553, SN75554 ELECTROLUMINESCENT COLUMN DRIVERS

SLDS030A - D2744, MARCH 1983 - REVISED MARCH 1993

- Each Device Drives 32 Electrodes
- 60-V Output Voltage Swing Capability
- 15-mA Output Source and Sink Current Capability
- High-Speed Serially-Shifted Data Input
- Totem-Pole Outputs
- Latches on All Driver Outputs

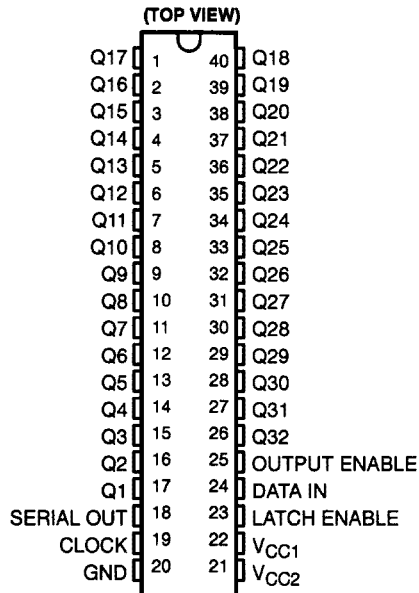
description

The SN65553, SN65554, SN75553, and SN75554 are monolithic BIDFET† integrated circuits designed to drive the column electrodes of an electroluminescent display. The SN65554 and SN75554 output sequence is reversed from the SN65553 and SN75553 for ease in printed-circuit-board layout.

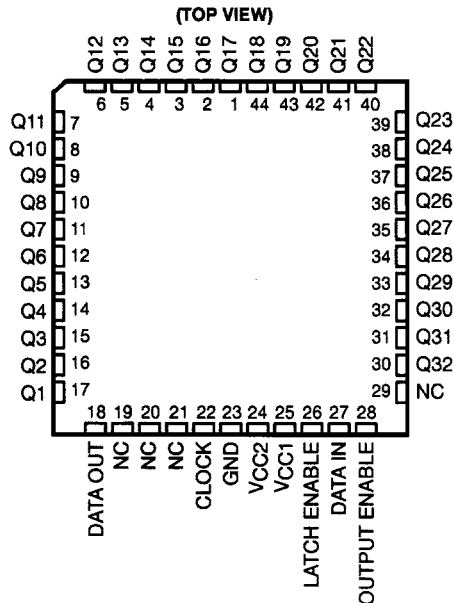
The devices consist of a 32-bit shift register, 32 latches, and 32 output AND gates. Serial data is entered into the shift register on the low-to-high transition of CLOCK. When high, LATCH ENABLE transfers the shift register contents to the outputs of the 32 latches. When OUTPUT ENABLE is high, all Q outputs are enabled. Serial data output from the shift register can be used to cascade shift registers. This output is not affected by LATCH ENABLE or OUTPUT ENABLE.

The SN65553 and SN65554 are characterized for operation from -40°C to 85°C. The SN75553 and SN75554 are characterized for operation from 0°C to 70°C.

SN75553 ... N PACKAGE



SN65553, SN75553 ... FN PACKAGE



NC - No internal connection

† BIDFET - Bipolar, double-diffused, N-channel and P-channel MOS transistors on same chip. This is a patented process.

PRODUCTION DATA information is current as of publication date. Products conform to specifications per the terms of Texas Instruments standard warranty. Production processing does not necessarily include testing of all parameters.

Copyright © 1993, Texas Instruments Incorporated

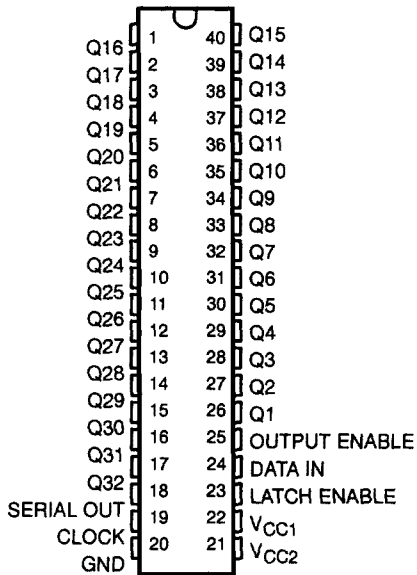


POST OFFICE BOX 655303 • DALLAS, TEXAS 75265

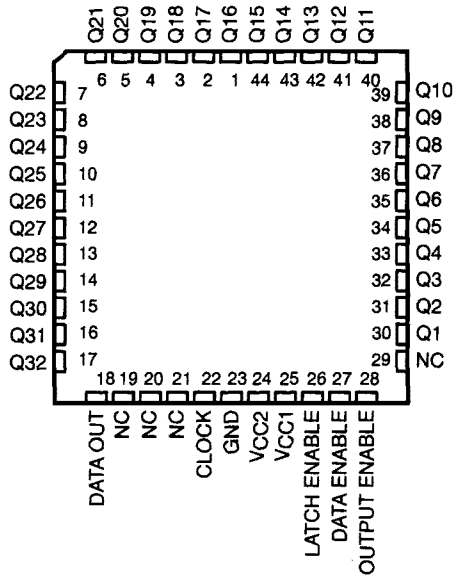
SN65553, SN65554, SN75553, SN75554 ELECTROLUMINESCENT COLUMN DRIVERS

SLDS030A - D2744, MARCH 1983 - REVISED MARCH 1993

SN65554, SN75554 . . . N PACKAGE
(TOP VIEW)

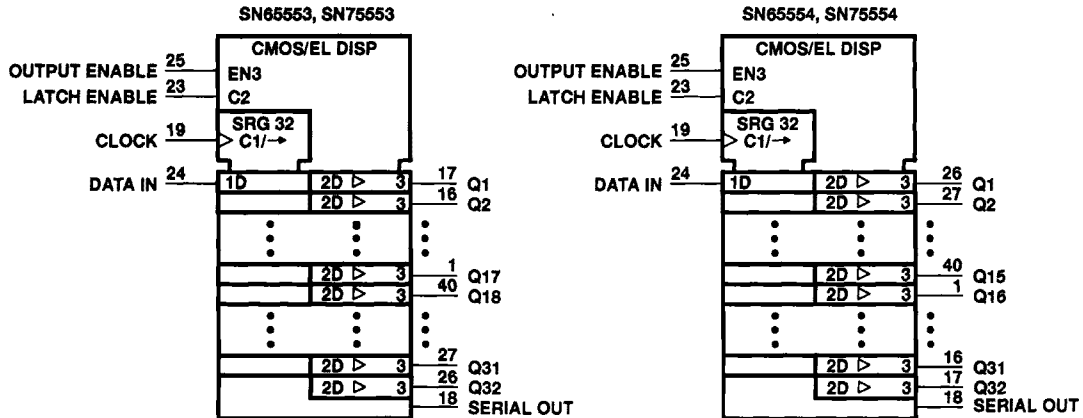


SN65554, SN75554 . . . FN PACKAGE
(TOP VIEW)



NC - No internal connection

logic symbols†

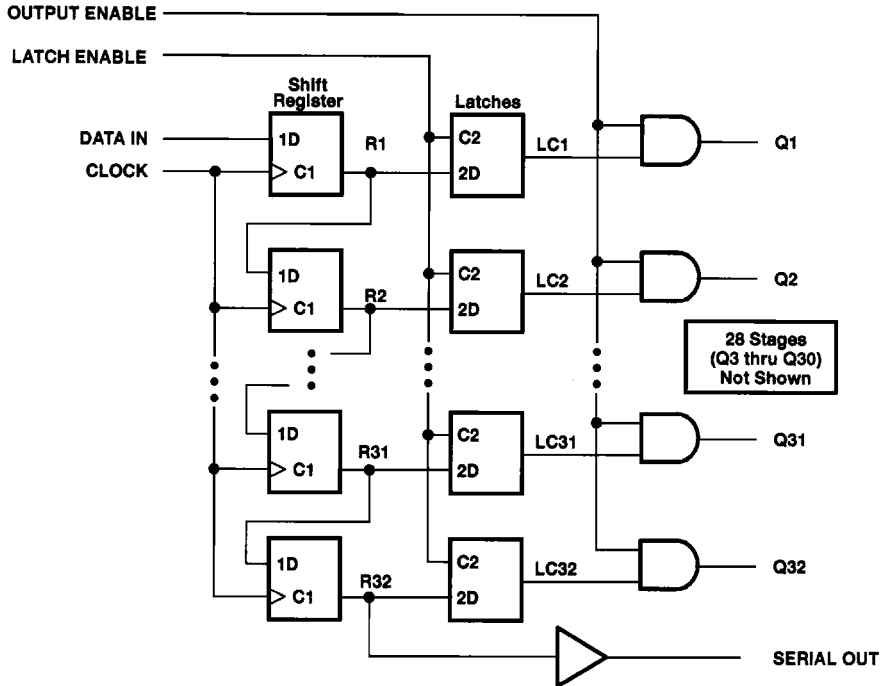


† These symbols are in accordance with ANSI/IEEE Std 91-1984 and IEC Publication 617-12. Pin numbers shown are for N packages.

SN65553, SN65554, SN75553, SN75554 ELECTROLUMINESCENT COLUMN DRIVERS

SLDS030A - D2744, MARCH 1983 - REVISED MARCH 1993

logic diagram (positive logic)



FUNCTION TABLE

FUNCTION	CONTROL INPUTS			SHIFT REGISTER R1 THRU R32	LATCHES LC1 THRU LC32	OUTPUTS	
	CLOCK	LATCH ENABLE	OUTPUT ENABLE			SERIAL	Q1 THRU Q22
Load	↑	X	X	Load and shift†	Determined by LATCH ENABLE‡	R32	Determined by OUTPUT ENABLE
	No↑	X	X	No change		R32	
Latch	X	L	X	As determined above	Stored data New data	R32	Determined by OUTPUT ENABLE
	X	H	X			R32	
Output Enable	X	X	L	As determined above	Determined by LATCH ENABLE‡	R32	All L LC1 thru LC32, respectively
	X	X	H			R32	

H = high level, L = low level, X = irrelevant, ↑ = low-to-high-level transition.

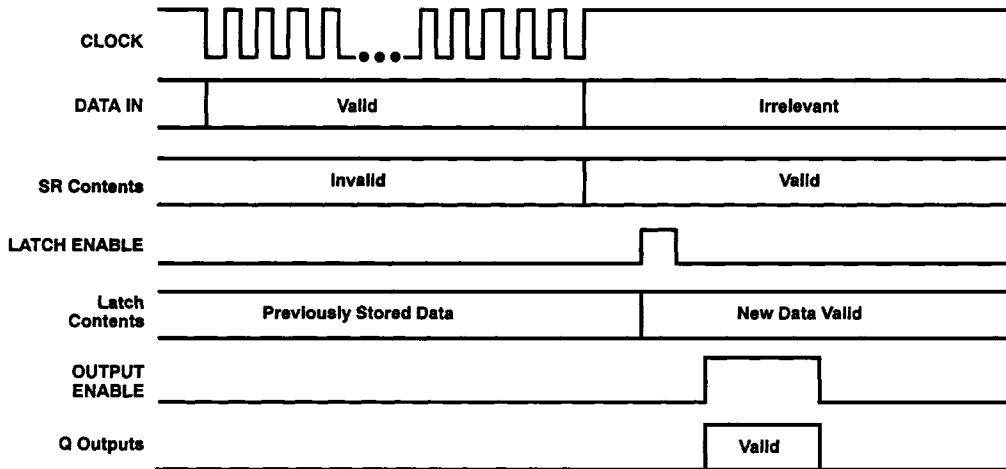
† R32 and the serial output take on the state of R31, R31 takes on the state of R30, . . . R2 takes on the state of R1, and R1 takes on the state of the data input.

‡ New data enter the latches while LATCH ENABLE is high. These data are stored while LATCH ENABLE is low.

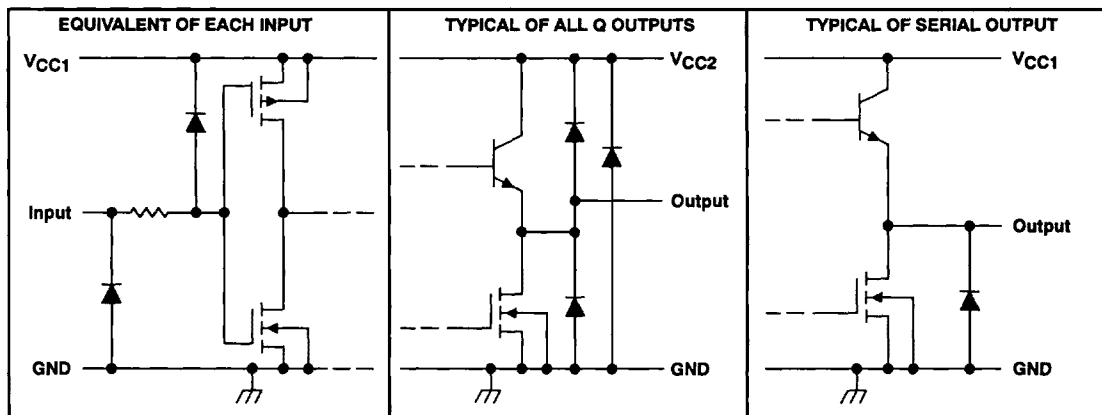
SN65553, SN65554, SN75553, SN75554 ELECTROLUMINESCENT COLUMN DRIVERS

SLDS030A - D2744, MARCH 1983 - REVISED MARCH 1983

typical operating sequence



schematic of inputs and outputs



absolute maximum ratings over operating free-air temperature range (unless otherwise noted)

Supply voltage, V_{CC1} (see Note 1)	18 V
Supply voltage, V_{CC2}	70 V
Input voltage, V_I	$V_{CC1} + 0.3$ V
Ground current	700 mA
Continuous total power dissipation	See Dissipation Rating Table
Operating free-air temperature range: SN65553, SN65554	-40°C to 85°C
SN75553, SN75554	0°C to 70°C
Storage temperature range	-65°C to 150°C
Case temperature for 10 seconds: FN package	260°C
Lead temperature 1,6 mm (1/16 inch) from case for 10 seconds: N package	260°C

NOTE 1: Voltage values are with respect to network GND.

SN65553, SN65554, SN75553, SN75554 ELECTROLUMINESCENT COLUMN DRIVERS

SLDS030A – D2744, MARCH 1983 – REVISED MARCH 1993

DISSIPATION RATING TABLE

PACKAGE	$T_A \leq 25^\circ\text{C}$ POWER RATING	DERATING FACTOR ABOVE $T_A = 25^\circ\text{C}$	$T_A = 70^\circ\text{C}$ POWER RATING	$T_A = 85^\circ\text{C}$ POWER RATING
FN	1700 mW	13.6 mW/ $^\circ\text{C}$	1088 mW	884 mW
N	1250 mW	10.0 mW/ $^\circ\text{C}$	800 mW	650 mW

recommended operating conditions

	MIN	NOM	MAX	UNIT
Supply voltage, V_{CC1}	10.8	12	15	V
Supply voltage, V_{CC2}	0		60	V
High-level input voltage, V_{IH} (see Figure 1)	$V_{CC1} = 10.8\text{ V}$	8.1	11.1	V
	$V_{CC1} = 15\text{ V}$	11.25	15.3	
Low-level input voltage, V_{IL} (see Figure 1)	$V_{CC1} = 10.8\text{ V}$	-0.3	2.7	V
	$V_{CC1} = 15\text{ V}$	-0.3	3.75	
High-level output current, I_{OH}	-15			mA
Low-level output current, I_{OL}	15			mA
Output clamp current, I_{OK}			20	mA
Clock frequency, f_{clock}	0		6.25	MHz
Pulse duration, CLOCK high or low, $t_w(\text{CLK})$ (see Figure 2)	80			ns
Pulse duration, LATCH ENABLE, $t_w(\text{LE})$ (see Figure 4)	80			ns
Setup time, DATA IN before CLOCK \uparrow , t_{SU} (see Figure 2)	20			ns
Hold time, DATA IN after CLOCK \uparrow , t_H (see Figure 2)	80			ns
Operating free-air temperature, T_A	SN65553, SN65554	-40	85	$^\circ\text{C}$
	SN75553, SN75554	0	70	

electrical characteristics over recommended ranges of V_{CC1} and operating free-air temperature, $V_{CC2} = 60\text{ V}$ (unless otherwise noted)

PARAMETER		TEST CONDITIONS	MIN	MAX	UNIT
V_{OH}	High-level output voltage	Q outputs	$I_O = -15\text{ mA}$	57	V
		SERIAL OUT	$I_O = -100\ \mu\text{A}$	$V_{CC1} - 1.5$	
V_{OL}	Low-level output voltage	Q outputs	$I_{OL} = 15\text{ mA}$	8	V
		SERIAL OUT	$I_{OL} = 100\ \mu\text{A}$	1	
I_{IH}	High-level input current	$V_I = V_{CC1}$		1	μA
I_{IL}	Low-level input current	$V_I = 0$		-1	μA
I_{CC1}	Supply current from V_{CC1}			5	mA
I_{CC2}	Supply current from V_{CC2}	SN65553, SN65554		12	mA
		SN75553, SN75554		10	

switching characteristics, $V_{CC1} = 12\text{ V}$, $V_{CC2} = 60\text{ V}$, $T_A = 25^\circ\text{C}$

PARAMETER		TEST CONDITIONS	MIN	MAX	UNIT
t_{PHL}	Propagation delay time, high-to-low-level, SERIAL OUT from CLOCK	$C_L = 20\text{ pF}$ to GND, See Figure 3		140	ns
t_{PLH}	Propagation delay time, low-to-high-level, SERIAL OUT from CLOCK			140	ns
t_{DHL}	Delay time, high-to-low-level, Q output from LATCH ENABLE	$C_L = 20\text{ pF}$ to GND, See Figure 4		500	ns
t_{DLH}	Delay time, low-to-high-level, Q output from LATCH ENABLE	$C_L = 20\text{ pF}$ to GND, See Figure 4		1	μs



**SN65553, SN65554, SN75553, SN75554
ELECTROLUMINESCENT COLUMN DRIVERS**

SLDS030A - D2744, MARCH 1983 - REVISED MARCH 1993

RECOMMENDED OPERATING CONDITIONS

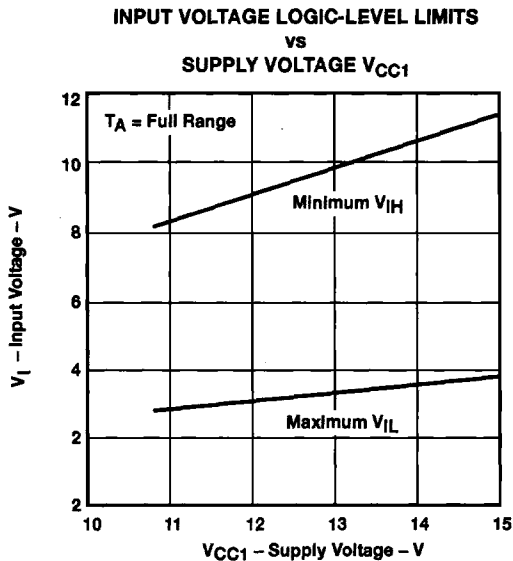


Figure 1

PARAMETER MEASUREMENT INFORMATION

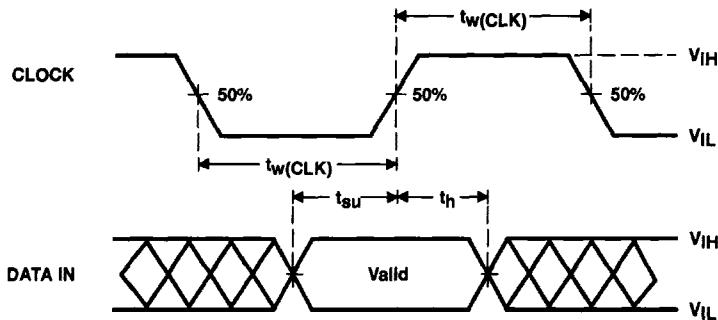


Figure 2. Input Timing Voltage Waveforms

PARAMETER MEASUREMENT INFORMATION

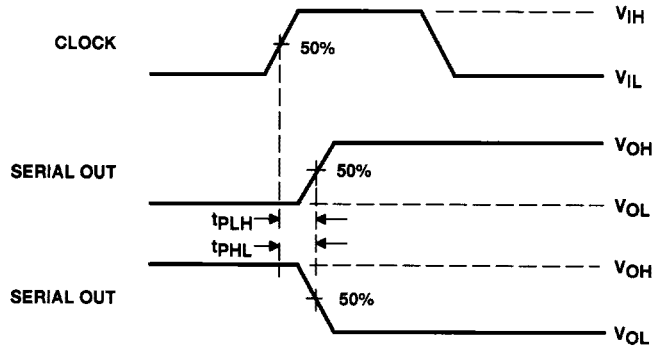


Figure 3. Voltage Waveforms for Propagation Delay Time, CLOCK to SERIAL OUT

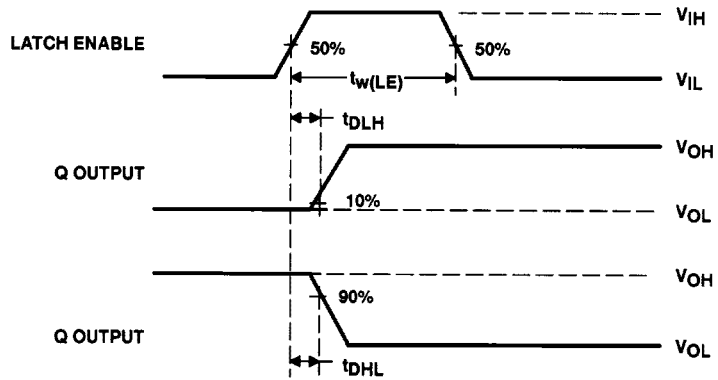


Figure 4. Voltage Waveforms for Delay Times, LATCH ENABLE to Q Outputs

