

THIS DRAWING IS UNPUBLISHED.

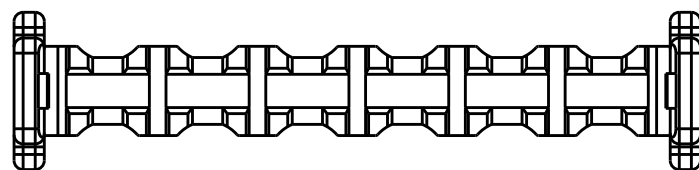
RELEASED FOR PUBLICATION

20

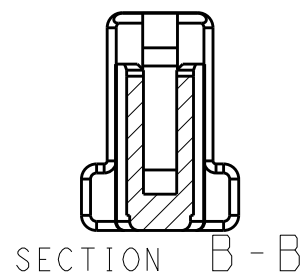
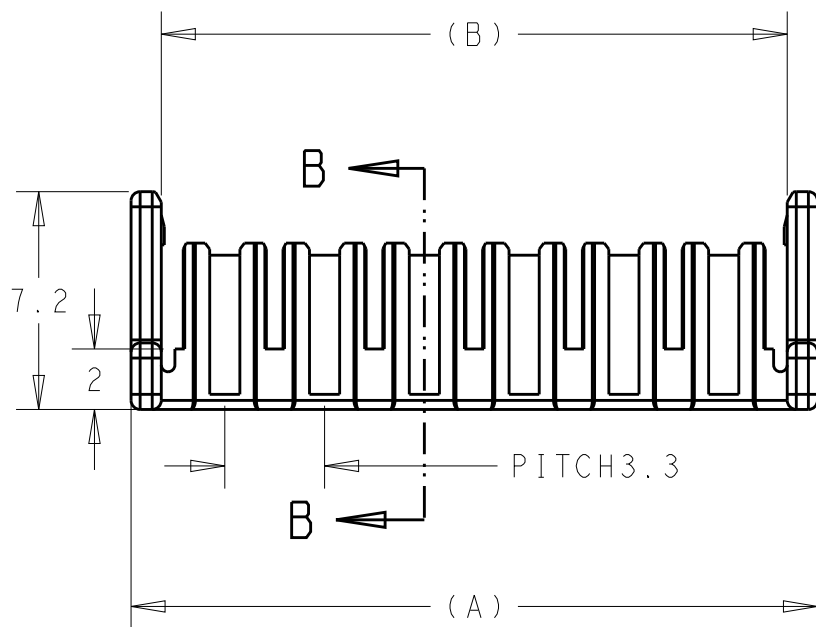
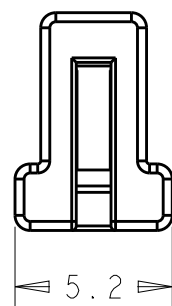
© COPYRIGHT 20 BY -

ALL RIGHTS RESERVED.

LOC	DIST	REVISIONS					
		P	LTR	DESCRIPTION	DATE	DWN	APVD
-	-		A	INITIAL RELEASE	1/8/2013	LZH	MYH
			A1	ADD P/Ns AND DIMENSIONS FOR 14P	07MAR2013	WYP	MYH
			B	ECR-13-011563	15Aug. 2013	WRP	ZHB
			B2	ECR-15-010308	11JULY2015	A.Q	D.Z

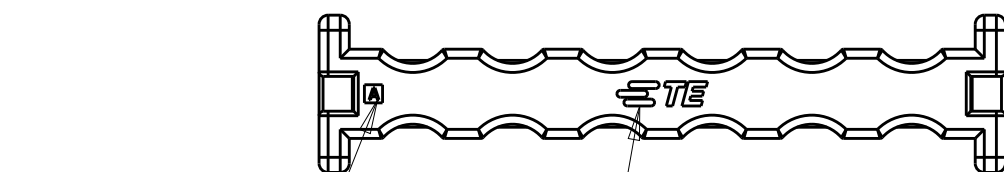


NOTE:
 1. APPLICABLE P/N PLUG HOUSING: *-1971905-*
 APPLICABLE P/N CONTACT: 1983780-1.
 2. APPLICABLE WIRE RANGE: AWG24~AWG20
 INSULATION DIA: ϕ 1.5- ϕ 2.5MM
 3. MATERIAL:
 THERMAL PLASTIC MATERIAL, (UL94 V-0)




P/N	Pos.	DIM.A	DIM.B	COLOR
2-1971904-2	4	9.5	7.5	BLUE
2-1971904-3	6	12.8	10.8	
2-1971904-4	8	16.1	14.1	
2-1971904-5	10	19.4	17.4	
2-1971904-6	12	22.7	20.7	
2-1971904-7	14	26.0	24.0	

	P/N	Pos.	A	B	COLOR
OBSOLETE	1971904-2	4	9.5	7.5	BLACK
OBSOLETE	1971904-3	6	12.8	10.8	
OBSOLETE	1971904-4	8	16.1	14.1	
OBSOLETE	1971904-5	10	19.4	17.4	
OBSOLETE	1971904-6	12	22.7	20.7	
OBSOLETE	1971904-7	14	26.0	24.0	



CAVITY MARK — TRADE MARK

THIS DRAWING IS A CONTROLLED DOCUMENT.		DWN LZH 01Aug2013	 TE Connectivity	
DIMENSIONS: mm		CHK HAPYE.WU 01Aug2013		
TOLERANCES UNLESS OTHERWISE SPECIFIED:		APVD YH.MAO 01Aug2013	NAME NEXT GENERATION GI 3.3 TERMINAL POSITION ASSURENCE	
0 PLC ±- 1 PLC ±0.5 2 PLC ±0.20 3 PLC ±- 4 PLC ±- ANGLES ±-		PRODUCT SPEC 108-106094	DRAWING NO A300779	
MATERIAL SEE NOTE		APPLICATION SPEC -	RESTRICTED TO -	
FINISH -		WEIGHT -	SCALE N/A	
		Customer Drawing		SHEET 1 OF 3
				REV B2

THIS DRAWING IS UNPUBLISHED.

RELEASED FOR PUBLICATION

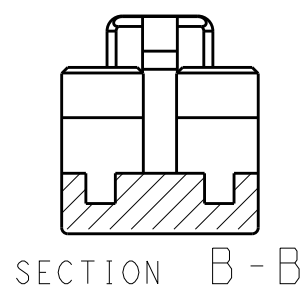
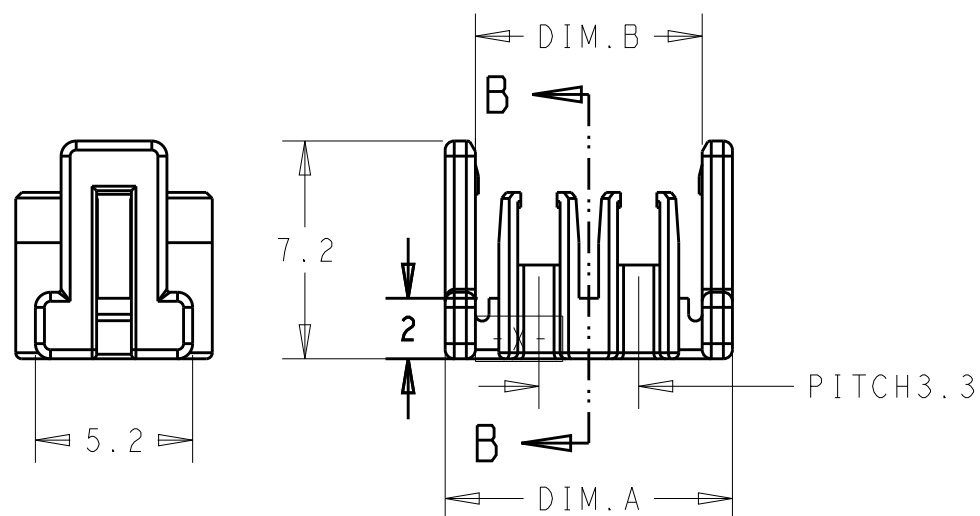
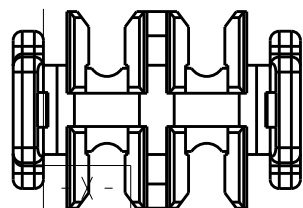
20

© COPYRIGHT 20 BY -

ALL RIGHTS RESERVED.

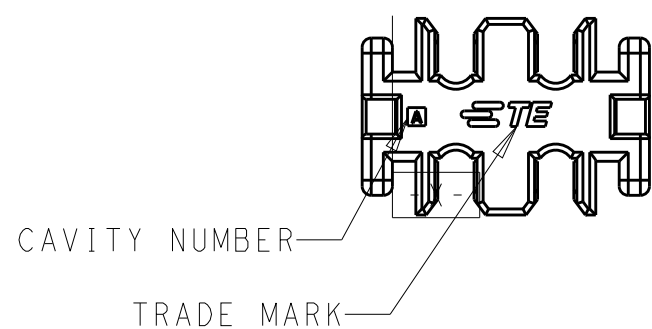
LOC	DIST	REVISIONS					
		P	LTR	DESCRIPTION	DATE	DWN	APVD
-	-	-	-	SEE SHEET 1	-	-	-

4-1971904-2 AS SHOWN



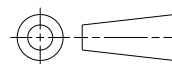
NOTE:
 1. APPLICABLE P/N PLUG HOUSING: *-1971905-*
 APPLICABLE P/N CONTACT: 1971795-1.
 2. APPLICABLE WIRE RANGE: AWG28~AWG26
 INSULATION DIA: \varnothing 0.8- \varnothing 1.2MM
 3. MATERIAL:
 THERMAL PLASTIC MATERIAL, (UL94 V-0)

P/N	Pos.	DIM.A	DIM.B	COLOR
4-1971904-2	4	9.5	7.5	YELLOW
4-1971904-3	6	12.8	10.8	



THIS DRAWING IS A CONTROLLED DOCUMENT.

DIMENSIONS:
mm



TOLERANCES UNLESS OTHERWISE SPECIFIED:

0 PLC	±
1 PLC	±
2 PLC	±0.20
3 PLC	±
4 PLC	±
ANGLES	±1

MATERIAL -

FINISH -

DWN 01APR2015

ANNIE QIAN

CHK 01APR2015

ANNIE QIAN

APVD 01APR2015

DANIEL ZHANG

PRODUCT SPEC 108-106094

APPLICATION SPEC 114-106094

WEIGHT -

CUSTOMER DRAWING



TE Connectivity

NAME NEXT GENERATION GI3.3

-

-

SIZE A3 CAGE CODE - DRAWING NO. C-1971904 RESTRICTED TO -

SCALE N/A SHEET 2 OF 3 REV B2

THIS DRAWING IS UNPUBLISHED.

RELEASED FOR PUBLICATION

20

© COPYRIGHT 20 BY -

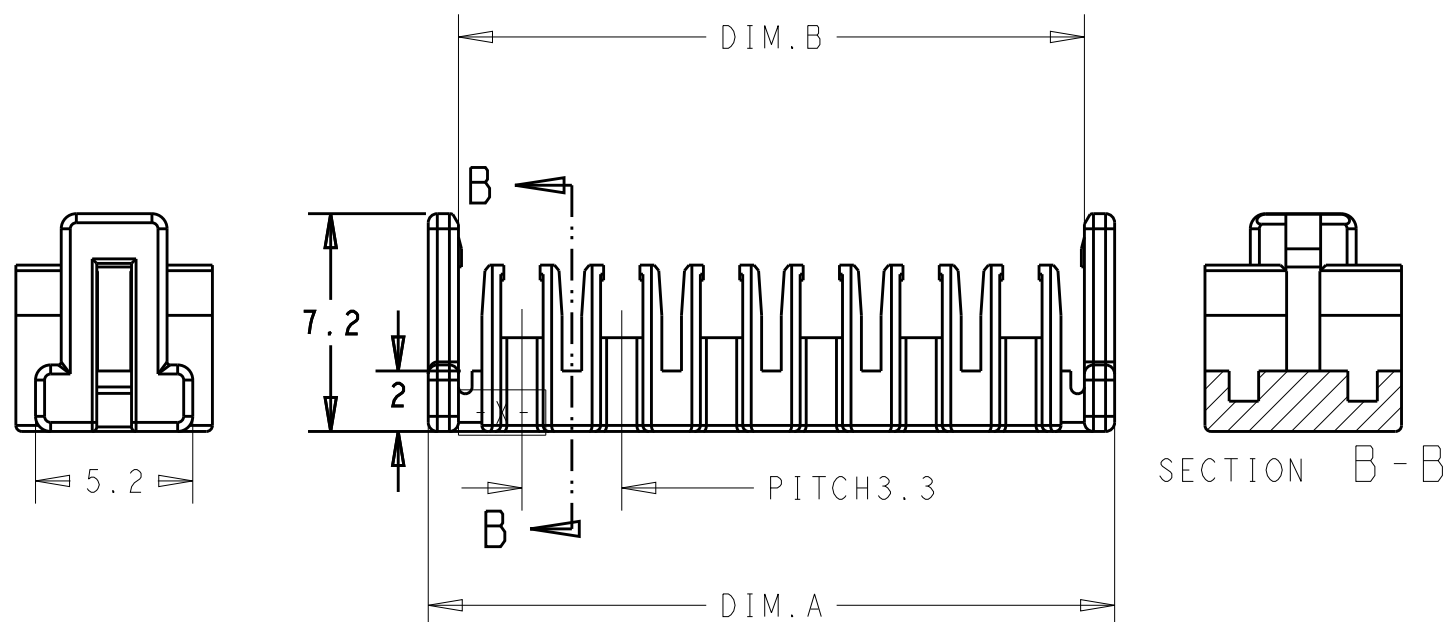
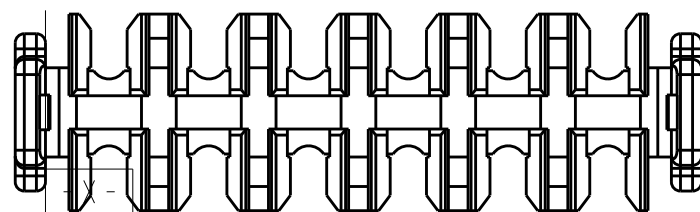
ALL RIGHTS RESERVED.

LOC - DIST -

REVISIONS

P	LTR	DESCRIPTION	DATE	DWN	APVD
-	-	SEE SHEET 1	-	-	-

4-1971904-6 AS SHOWN



NOTE:
 1. APPLICABLE P/N PLUG HOUSING: *-1971905-*
 APPLICABLE P/N CONTACT: 1971795-1.
 2. APPLICABLE WIRE RANGE: AWG28~AWG26
 INSULATION DIA: $\varnothing 0.8$ - $\varnothing 1.2$ MM
 3. MATERIAL:
 THERMAL PLASTIC MATERIAL, (UL94 V-0)

P/N	Pos.	DIM.A	DIM.B	COLOR
4-1971904-4	8	16.1	14.1	YELLOW
4-1971904-5	10	19.4	17.4	
4-1971904-6	12	22.7	20.7	
4-1971904-7	14	26.0	24.0	

CAVITY NUMBER

TRADE MARK

THIS DRAWING IS A CONTROLLED DOCUMENT.

DIMENSIONS: mm	TOLERANCES UNLESS OTHERWISE SPECIFIED: 0 PLC \pm - 1 PLC \pm - 2 PLC ± 0.20 3 PLC \pm - 4 PLC \pm - ANGLES ± 1
MATERIAL -	FINISH -

DWN	09MAR2015
ANNIE QIAN	
CHK	09MAR2015
ANNIE QIAN	
APVD	09MAR2015
DANIEL ZHANG	
PRODUCT SPEC	108-106094
APPLICATION SPEC	114-106094
WEIGHT	-

STE TE Connectivity

NAME NEXT GENERATION G13.3 TERMINAL POSITION ASSURENCE			
SIZE	CAGE CODE	DRAWING NO	RESTRICTED TO
A3	-	C-1971904	-

CUSTOMER DRAWING SCALE N/A SHEET 3 OF 3 REV B2