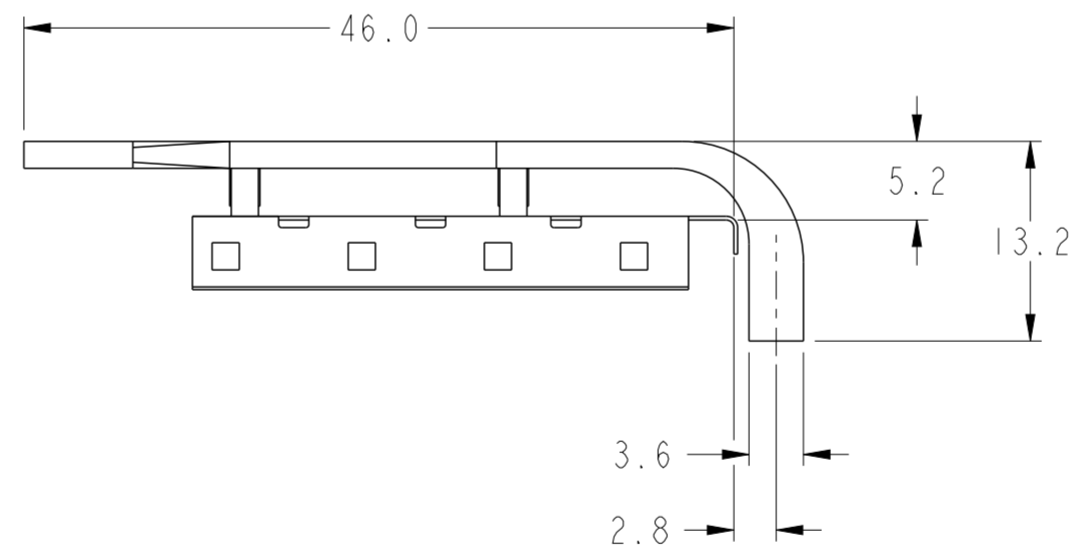
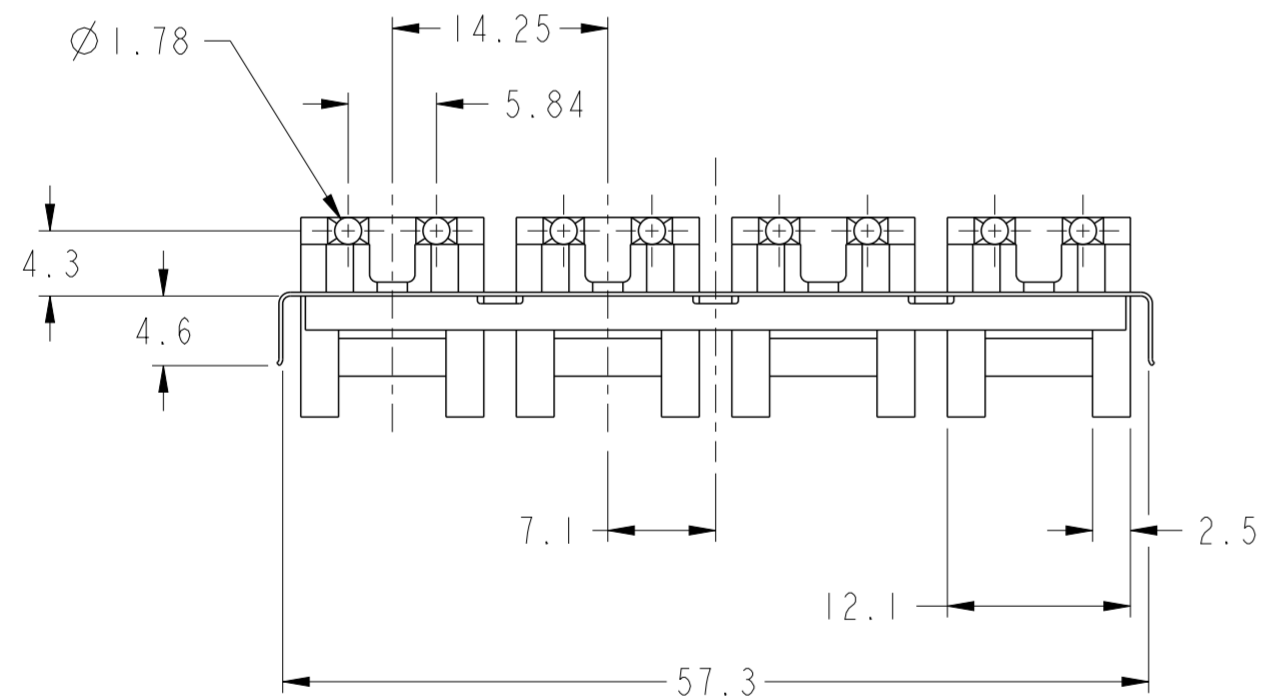
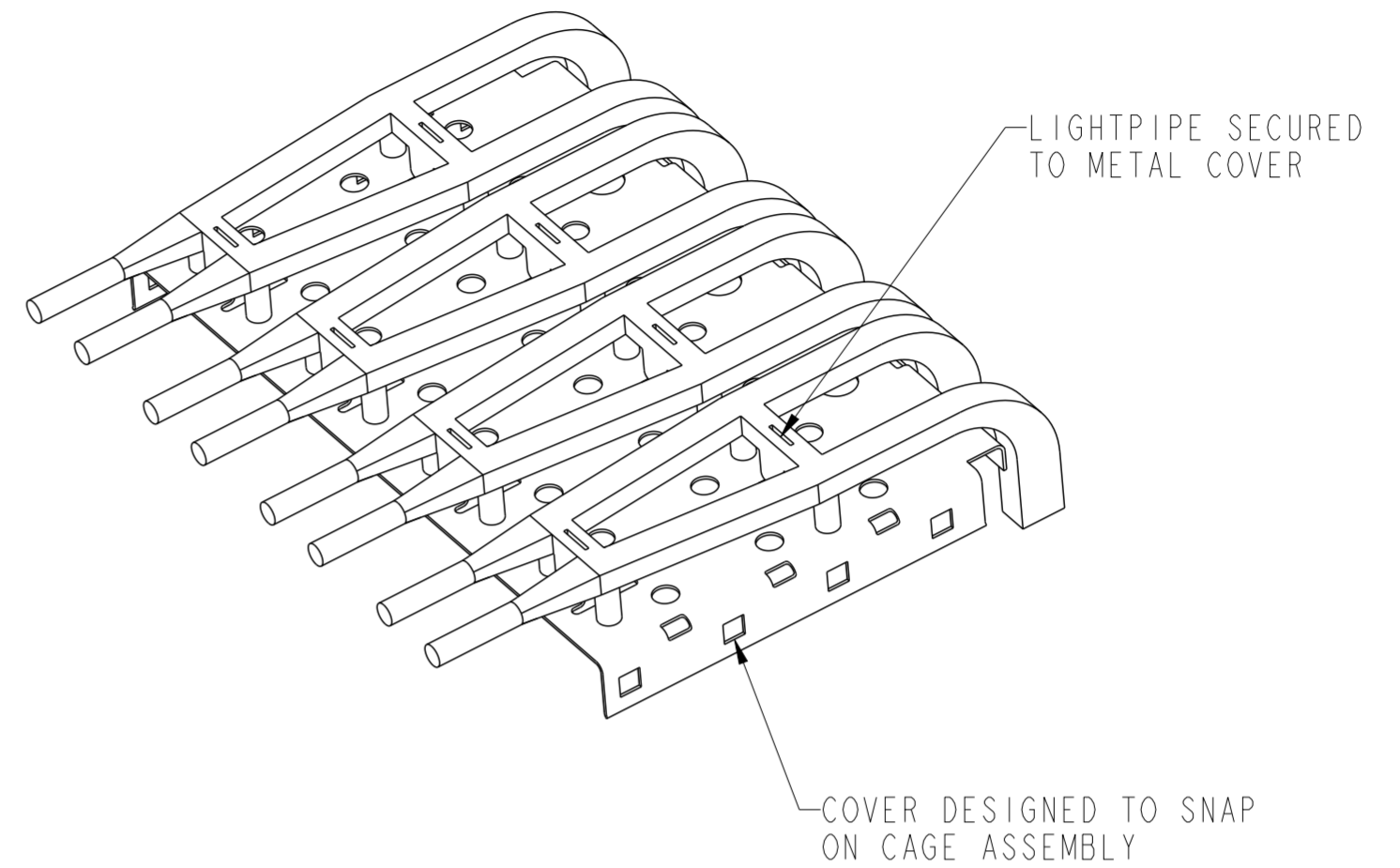
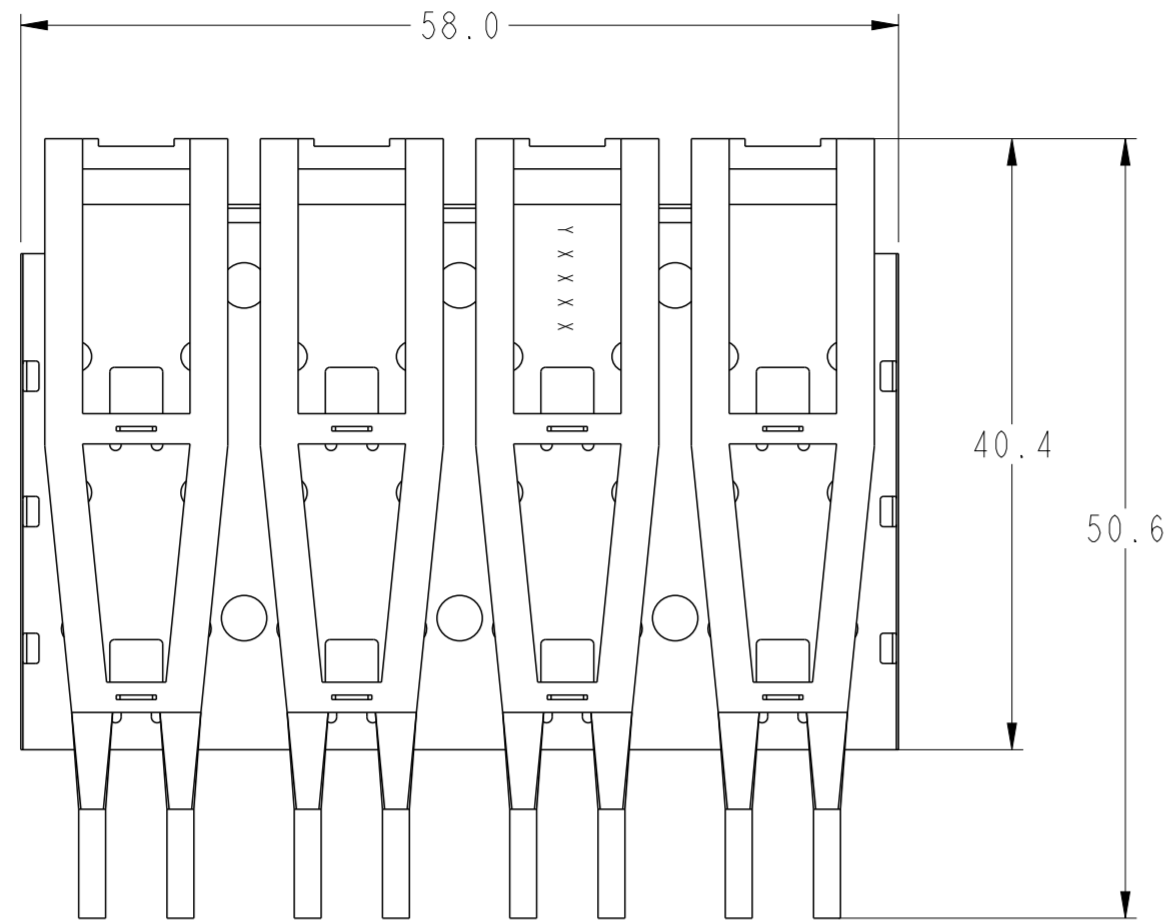


PRODUCT NUMBER	PACKAGING
10099108-011LF	TRAY



NOTES:

1. MATERIAL:
COVER: STAINLESS STEEL
LIGHTPIPE: POLYCARBONATE, UL94-V0
2. LIGHT PIPE KIT IS TO BE USED WITH IX4 CAGE WITH LIGHT PIPE HOOKS.
3. CAGE IS TO BE PRESSED TO THE PCB PRIOR TO ASSEMBLING THE LIGHT PIPE KIT ASSEMBLY.
4. PRODUCT SPECIFICATION: GS-12-616
5. APPLICATION SPECIFICATION: GS-20-125
6. PRODUCT MEETS EUROPEAN UNION DIRECTIVES AND OTHER COUNTRY REGULATIONS AS DESCRIBED IN GS-22-008.

Year: Y
Month: X
Date: X X X X
Special Code: X
Serial number: X

DATE CODE DESCRIPTION

spec ref	-	dr	Andy Zhang	2010/1/03	projection	MM	size	A2	scale	2:1
tolerance std	ASME Y14.5	eng	Andy Zhang	2012/01/03	chr	-	ecn no	ELX-N-009122-1		
	TOLERANCES UNLESS OTHERWISE SPECIFIED	appr	Rick Bian	2012/01/04	product family	SFP+	rel level	Released		
surface	linear	0.X	±0.25		SFP+ IX4 LIGHT PIPE SFP+ CAGE KIT		dwg no	10099108	rev	B
		0.XX	±0.15		cat. no.	-	Product - Customer Drw	sheet 1 of 1		
		0.XXX	±0.10							
ASME Y14.5	angular	0°	±3°	www.fci.com						