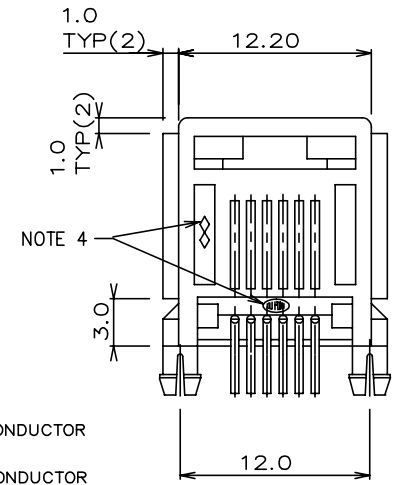
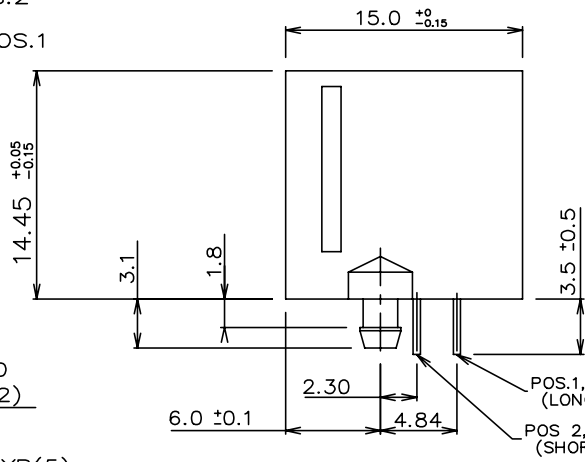
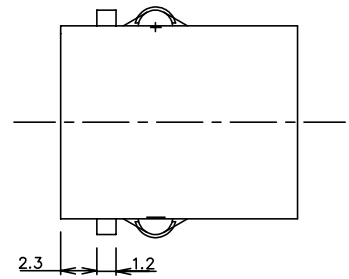
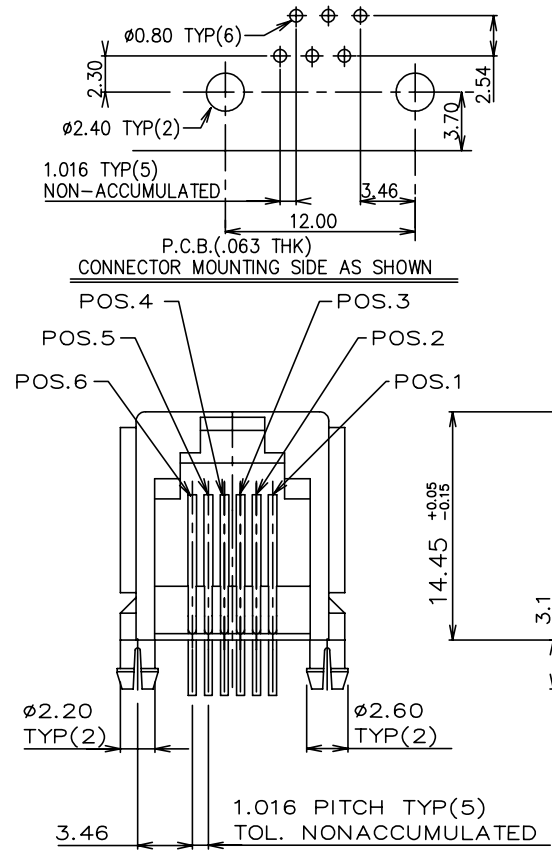


PRODUCT NO	CONDUCTOR TYP OF POS	CONDUCTOR ASS'Y POS NO	CONTACT PLATING	HOUS'G COLOR
86285-002/002LF	6/4	2,3,4,5	5u" Au + high performance lubricant	BLACK
86285-005/005LF	6/6	1,2,3,4,5,6	5u" Au + high performance lubricant	GRAY
86285-006/006LF	6/6	1,2,3,4,5,6	5u" Au + high performance lubricant	BLACK



NOTE:

- FOR VISUAL, MECHANICAL AND FUNCTIONAL REQUIREMENTS SEE PRODUCT SPEC. 110-042.
- HOUSING MAT'L: GLASS REINFORCED 66 NYLON ZYTEL-50, UL-94V-0.
- GOLD WIRE MAT'L: PHOS. BRONZE 0.46 DIA. PLATING: SEE TABLE PLATING OVER 100 U" NICKEL.
- A. STANDARD PACKAGING METHOD(USE TRAY): SEE GES-14-351.
B. NON-STANDARD PACKAGING METHOD(USE TUBE): SEE GES-14-358.
THE PART NO. SHOULD BE SUFFIXED WITH "T". (E.G.86285-001T)
- MATABLE PLUG: PLUG CONFORMED TO FCC TYPE 623.

A

A

B

B

mat'l. code		surface <input checked="" type="checkbox"/> ISO1302		tolerance <input checked="" type="checkbox"/> ISO1101 <input checked="" type="checkbox"/> ISO406		projection		product family MOD JACK	
ltr ecn nodr		date		tolerances unless other wise specified				title	
D	T60025	CL	01/12/96	angle 0°	0.X±0.3	mm		LOW PROFILE 6 POS. PCB MOD JACK	
E	T03-0443	WL	10/06/03	0°±2'	0.XX±0.15	scale 2.0		dwg no	
F	N05-0018	YS	01/28/05		0.XXX±0.05			sheet 1 of 1	
G	ELX-N-011017SH MM0		3/14/12	dr	KCHOU	03/27/92	FCI		size A4
				engr	TONY CHIEN	03/27/92	86285		
				chr	TONY CHIEN	03/27/92	type Product Customer Drawing		
				appd	JENN TSAO	03/27/92			
sheet index	revising sheet	G 1							