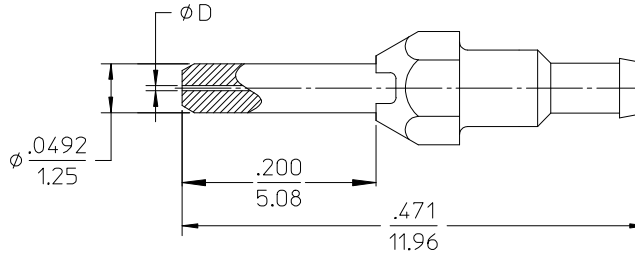
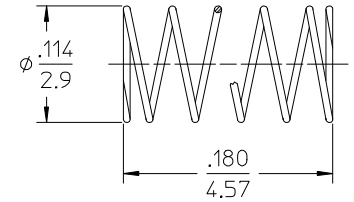


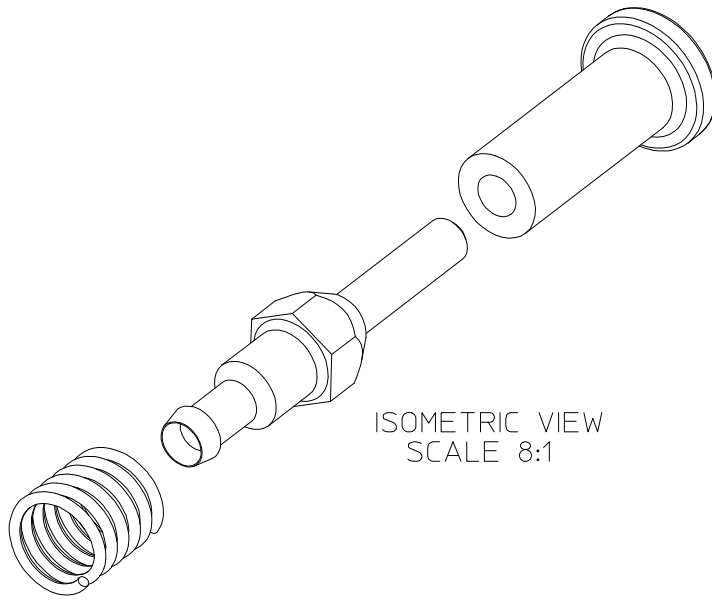
DUST CAP



LC PLUG, METAL BODY
(ZIRCONIA CERAMIC FERRULE)



COMPRESSION SPRING
(MUSIC WIRE)



ISOMETRIC VIEW
SCALE 8:1

KIT P/N	ϕD , mm	KIT TYPE
106073-0022	0.1255	SINGLE MODE
106073-0027	0.126	
106073-0032	0.127	MULTIMODE

NOTES:

1. ALL DIMENSIONS ARE FOR REFERENCE ONLY.
2. ALL PARTS ARE PACKED IN ONE BAG - 1 KIT PER BAG.
3. ALL PLASTIC MATERIALS ARE UL-94 V-0 RATED.

ENTER DESCRIPTION EC NO: MF2015-0148 DRWN: IGUMIN 2014/09/16 CHKD: APPR: IGUMIN 2014/09/17 D2	QUALITY SYMBOLS	GENERAL TOLERANCES (UNLESS SPECIFIED)	DIMENSION STYLE IN/MM	SCALE 8:1	DESIGN UNITS INCH	THIRD ANGLE PROJECTION																		
	$\nabla=0$ $\nabla 7=0$	<table border="1"> <tr> <th></th> <th>mm</th> <th>INCH</th> </tr> <tr> <td>4 PLACES</td> <td>\pm----</td> <td>\pm----</td> </tr> <tr> <td>3 PLACES</td> <td>\pm----</td> <td>\pm----</td> </tr> <tr> <td>2 PLACES</td> <td>\pm----</td> <td>\pm----</td> </tr> <tr> <td>1 PLACE</td> <td>\pm----</td> <td>\pm----</td> </tr> <tr> <td>0 PLACE</td> <td>\pm</td> <td>\pm</td> </tr> </table>		mm	INCH	4 PLACES	\pm ----	\pm ----	3 PLACES	\pm ----	\pm ----	2 PLACES	\pm ----	\pm ----	1 PLACE	\pm ----	\pm ----	0 PLACE	\pm	\pm	DRAWN BY: KP DATE: 01/25/2006 CHECKED BY: DATE: APPROVED BY: DATE: 2010/03/18	TITLE: SNAP MATE PLUG AND COMPRESSION SPRING KIT		
		mm	INCH																					
	4 PLACES	\pm ----	\pm ----																					
3 PLACES	\pm ----	\pm ----																						
2 PLACES	\pm ----	\pm ----																						
1 PLACE	\pm ----	\pm ----																						
0 PLACE	\pm	\pm																						
ANGULAR $\pm 1/2^\circ$ DRAFT WHERE APPLICABLE MUST REMAIN WITHIN DIMENSIONS	MATERIAL NO. SEE TABLE	DOCUMENT NO. SD-106073-0022	SHEET NO. 1 OF 1																					
THIS DRAWING CONTAINS INFORMATION THAT IS PROPRIETARY TO MOLEX INCORPORATED AND SHOULD NOT BE USED WITHOUT WRITTEN PERMISSION																								