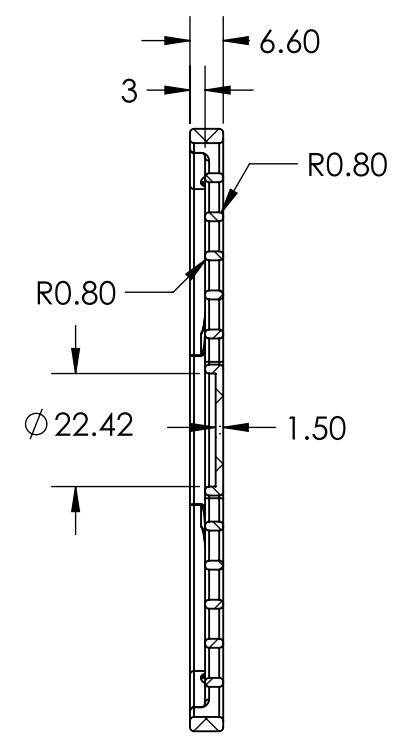
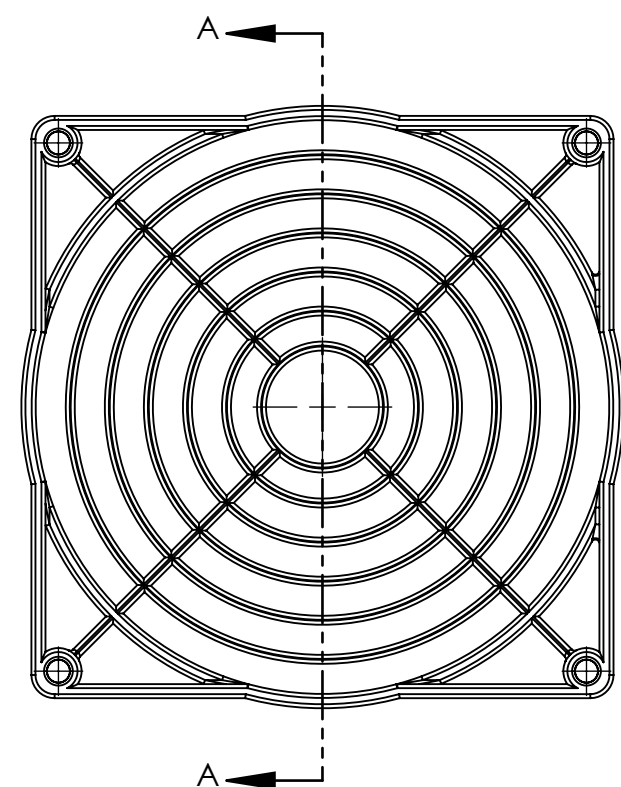
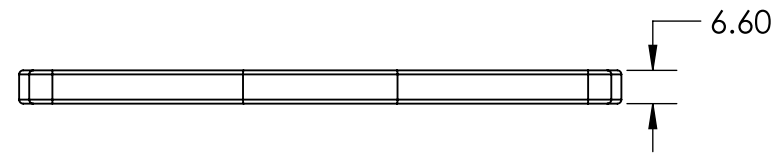
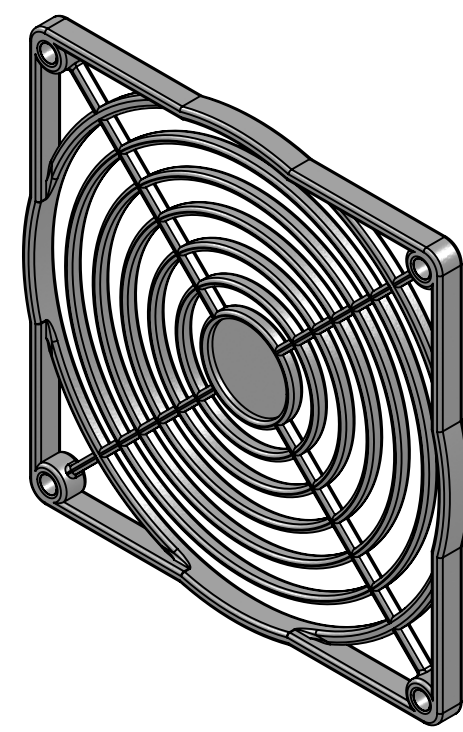
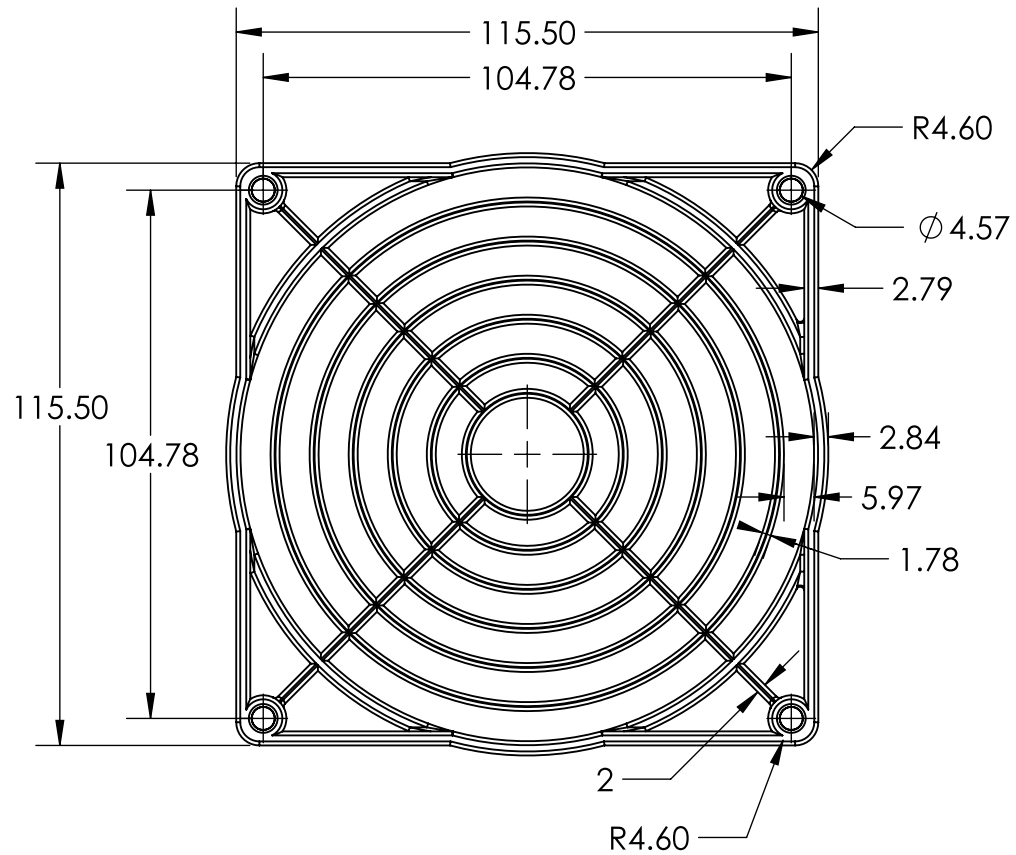


8 7 6 5 4 3 2 1

F

F



D

D

C

C

B

B

A

A

UNLESS OTHERWISE SPECIFIED: DIMENSIONS ARE IN MILLIMETERS SURFACE FINISH: TOLERANCES: LINEAR: ANGULAR:		FINISH:	DEBURR AND BREAK SHARP EDGES	DO NOT SCALE DRAWING	REVISION
DRAWN	NAME	SIGNATURE	DATE	TITLE: PLASTIC FAN GUARD	
CHK'D				DWG NO. SC120-P70	
APPV'D				A3	
MFG			MATERIAL: PBT4130V-0	SCALE:1:1.5	
Q.A			WEIGHT: 0.02	SHEET 1 OF 1	

8 7 6 5 4 3 2 1