

PRODUCT NUMBER
71607-XXXXLF

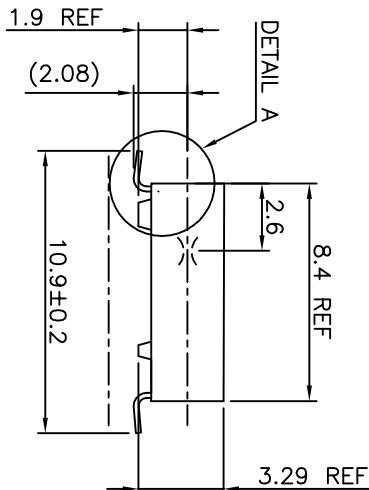
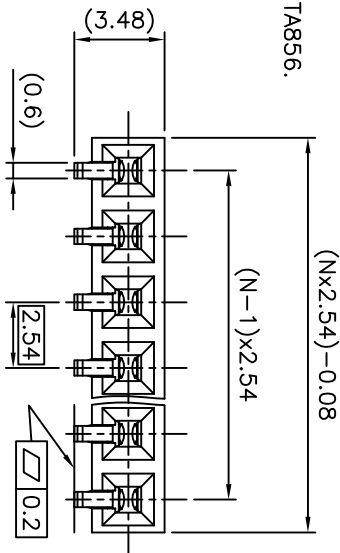
ROHS COMPATIBLE, SEE NOTE 6

OPTIONAL LETTER
A: PRODUCT PACKED IN TAPE & REEL, SEE TAB56.

NUMBER OF POSITIONS: 02 TO 40.

PLATING CODE

- 3 = 0.76µm GOLD ON CONTACT AREA.
- 2µm MIN MATTE TIN ON TAIL.
- 4 = 2µm MIN MATTE TIN FULL PLATED
- 8 = 0.35µm GOLD ON CONTACT AREA.
- 2µm MIN MATTE TIN ON TAIL.
- 1.27µm Ni MIN UNDERPLATING



NOTES:

- 1 - HOUSING MAT'L: THERMOPLASTIC GLASS FILLED FLAME RETARDANT PER UL 94 V-0 COLOR: GREY.
- 2 - TERMINAL MATERIAL: PHOSPHOR BRONZE.
- 3 - 2 UP TO 4 POSITIONS PRODUCT PACKED IN PLASTIC BOX
- 5 UP TO 40 POSITIONS PRODUCT PACKED IN TUBE.
- 4 - TO DETERMINE DIMENSIONS:
N = NUMBER OF POSITIONS
EXAMPLE: 8 POS: (N x 2.54) - 0.08 = 20.24 mm
- 5 - RECOMMENDED IR PROFIL PER TA 842.
- 6 - ROHS COMPATIBLE PRODUCT SPECIFICATIONS

d - PLATING:

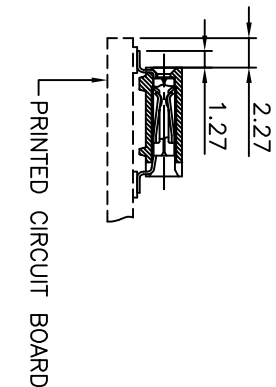
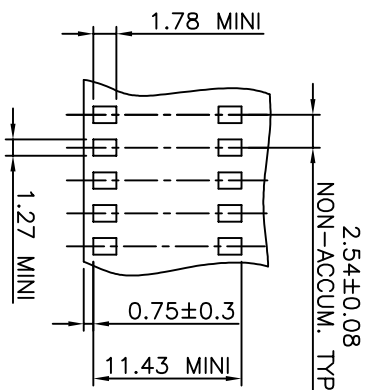
- "LF" MEANS THE PRODUCT IS LEAD-FREE, 2µm MINIMUM MATTE TIN OVER 1.27µm MINIMUM NICKEL UNDERPLATE.

b - MANUFACTURING PROCESS COMPATIBILITY

- THE HOUSING WILL WITHSTAND EXPOSURE TO 260°C PEAK TEMPERATURE FOR 30 SECONDS MAX IN A CONVECTION, INFRA-RED OR VAPOR PHASE OR REFLOW OVEN.

c - LABELING:

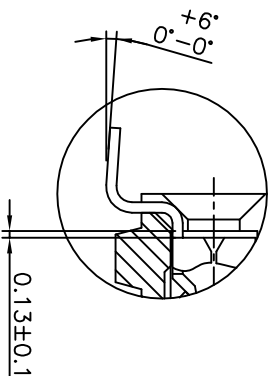
- MEETS PACKAGING SPECS AS PER GS-14-920
- d - LEGAL STATEMENT: SEE GS-47-0004



SCALE 2.5:1

RECOMMENDED HOLE PATTERN

DETAIL A
SCALE 20:1



mat'l. code	surface	tolerance	projection	product family
SEE NOTE 1	ISO 1302	ISO 406 ISO 1001	mm	DUBOX
ltr	ISO 1302	ISO 406 ISO 1001	mm	
ecm no	ISO 1302	ISO 406 ISO 1001	mm	
dr	ISO 1302	ISO 406 ISO 1001	mm	
date	ISO 1302	ISO 406 ISO 1001	mm	
04.11.08	ISO 1302	ISO 406 ISO 1001	mm	
angles	ISO 1302	ISO 406 ISO 1001	mm	
linear	ISO 1302	ISO 406 ISO 1001	mm	
±0.3	ISO 1302	ISO 406 ISO 1001	mm	
scale 10:1	ISO 1302	ISO 406 ISO 1001	mm	
94.03.21	ISO 1302	ISO 406 ISO 1001	mm	
99.06.08	ISO 1302	ISO 406 ISO 1001	mm	
97.05.13	ISO 1302	ISO 406 ISO 1001	mm	
99.06.08	ISO 1302	ISO 406 ISO 1001	mm	
94.03.21	ISO 1302	ISO 406 ISO 1001	mm	
99.06.08	ISO 1302	ISO 406 ISO 1001	mm	
97.05.13	ISO 1302	ISO 406 ISO 1001	mm	
99.06.08	ISO 1302	ISO 406 ISO 1001	mm	
94.03.21	ISO 1302	ISO 406 ISO 1001	mm	
99.06.08	ISO 1302	ISO 406 ISO 1001	mm	
97.05.13	ISO 1302	ISO 406 ISO 1001	mm	
99.06.08	ISO 1302	ISO 406 ISO 1001	mm	

mat'l. code	surface	tolerance	projection	product family
SEE NOTE 1	ISO 1302	ISO 406 ISO 1001	mm	DUBOX
ltr	ISO 1302	ISO 406 ISO 1001	mm	
ecm no	ISO 1302	ISO 406 ISO 1001	mm	
dr	ISO 1302	ISO 406 ISO 1001	mm	
date	ISO 1302	ISO 406 ISO 1001	mm	
04.11.08	ISO 1302	ISO 406 ISO 1001	mm	
angles	ISO 1302	ISO 406 ISO 1001	mm	
linear	ISO 1302	ISO 406 ISO 1001	mm	
±0.3	ISO 1302	ISO 406 ISO 1001	mm	
scale 10:1	ISO 1302	ISO 406 ISO 1001	mm	
94.03.21	ISO 1302	ISO 406 ISO 1001	mm	
99.06.08	ISO 1302	ISO 406 ISO 1001	mm	
97.05.13	ISO 1302	ISO 406 ISO 1001	mm	
99.06.08	ISO 1302	ISO 406 ISO 1001	mm	
94.03.21	ISO 1302	ISO 406 ISO 1001	mm	
99.06.08	ISO 1302	ISO 406 ISO 1001	mm	
97.05.13	ISO 1302	ISO 406 ISO 1001	mm	
99.06.08	ISO 1302	ISO 406 ISO 1001	mm	

mat'l. code	surface	tolerance	projection	product family
SEE NOTE 1	ISO 1302	ISO 406 ISO 1001	mm	DUBOX
ltr	ISO 1302	ISO 406 ISO 1001	mm	
ecm no	ISO 1302	ISO 406 ISO 1001	mm	
dr	ISO 1302	ISO 406 ISO 1001	mm	
date	ISO 1302	ISO 406 ISO 1001	mm	
04.11.08	ISO 1302	ISO 406 ISO 1001	mm	
angles	ISO 1302	ISO 406 ISO 1001	mm	
linear	ISO 1302	ISO 406 ISO 1001	mm	
±0.3	ISO 1302	ISO 406 ISO 1001	mm	
scale 10:1	ISO 1302	ISO 406 ISO 1001	mm	
94.03.21	ISO 1302	ISO 406 ISO 1001	mm	
99.06.08	ISO 1302	ISO 406 ISO 1001	mm	
97.05.13	ISO 1302	ISO 406 ISO 1001	mm	
99.06.08	ISO 1302	ISO 406 ISO 1001	mm	
94.03.21	ISO 1302	ISO 406 ISO 1001	mm	
99.06.08	ISO 1302	ISO 406 ISO 1001	mm	
97.05.13	ISO 1302	ISO 406 ISO 1001	mm	
99.06.08	ISO 1302	ISO 406 ISO 1001	mm	