

THIS DRAWING IS UNPUBLISHED.

RELEASED FOR PUBLICATION

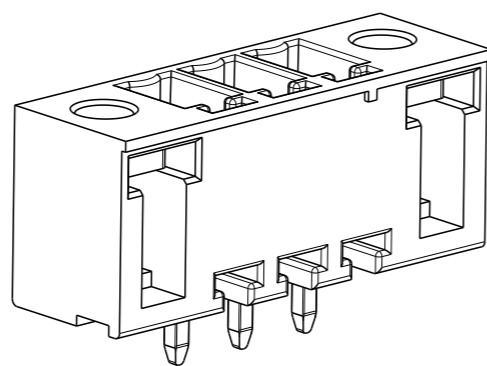
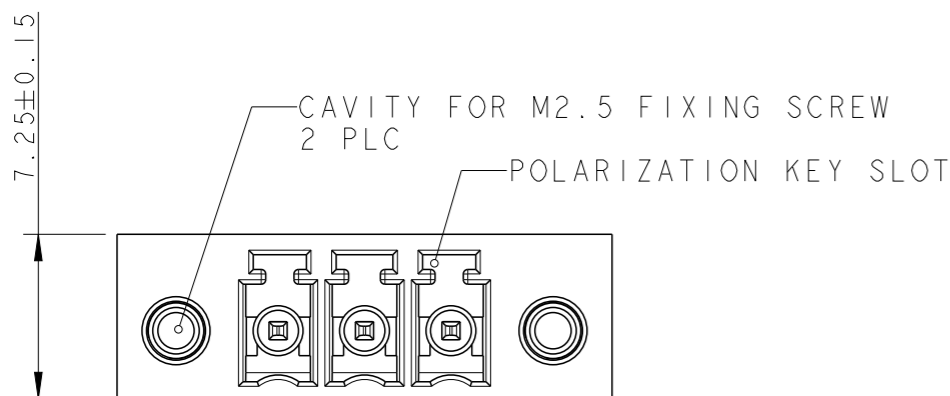
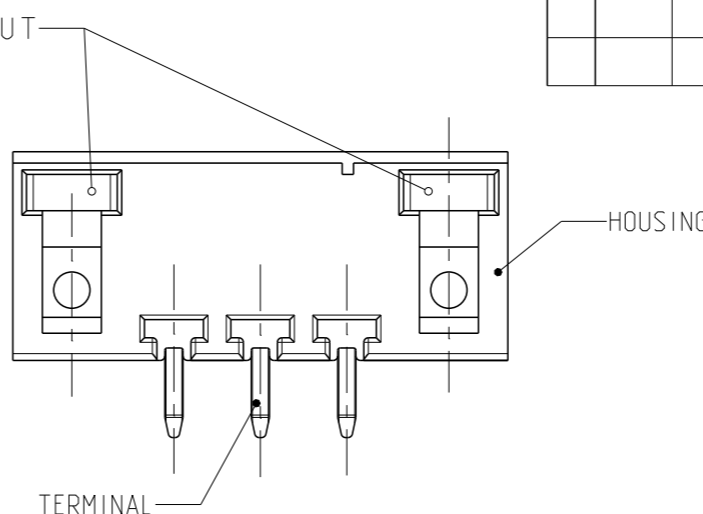
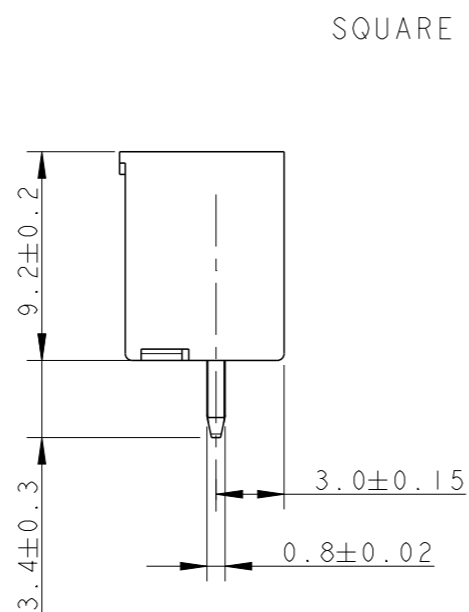
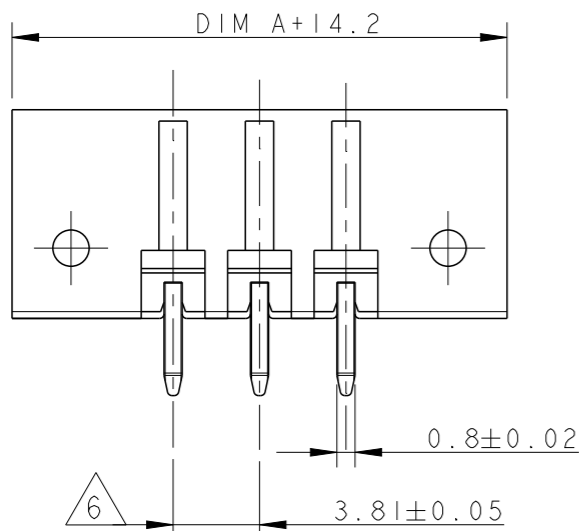
20

© COPYRIGHT 20 BY -

ALL RIGHTS RESERVED.

REVISIONS

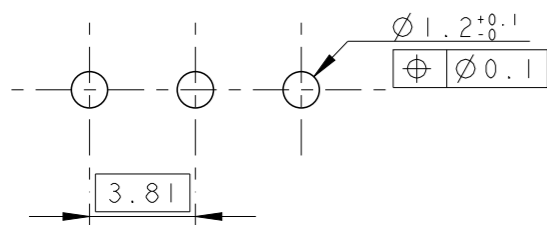
P	LTR	DESCRIPTION	DATE	DWN	APVD
	B2	SQUARE NUT PART INFORMATION ADDED	11MAY2018	RK	PS



284519-3 AS SHOWN

OBSOLETE	83.82	23	2-284519-3
	80.01	22	2-284519-2
	76.20	21	2-284519-1
	72.39	20	2-284519-0
	68.58	19	1-284519-9
	64.77	18	1-284519-8
	60.96	17	1-284519-7
57.15	16	1-284519-6	
OBSOLETE	53.34	15	1-284519-5
	49.53	14	1-284519-4
	45.72	13	1-284519-3
	41.91	12	1-284519-2
	38.10	11	1-284519-1
	34.29	10	1-284519-0
	30.48	9	284519-9
	26.67	8	284519-8
	22.86	7	284519-7
	19.05	6	284519-6
	15.24	5	284519-5
	11.43	4	284519-4
	7.62	3	284519-3
	3.81	2	284519-2
	DIM A	NO OF POS	PART NUMBER

RECOMMENDED PC BOARD LAYOUT



THIS DRAWING IS A CONTROLLED DOCUMENT.

DWN: 07FEB2002, E. ZANOLINI
 CHK: 07FEB2002, E. ZANOLINI
 APVD: 07FEB2002, D. BIEVENOUR

PRODUCT SPEC: -
 APPLICATION SPEC: -
 WEIGHT: -

STE TE Connectivity

NAME: TERMINAL BLOCK HEADER ASSEMBLY STRAIGHT, 3.81mm PITCH WITH THREADED FLANGE

SIZE: A3, CAGE CODE: 00779, DRAWING NO: C-284519, RESTRICTED TO: -

CUSTOMER DRAWING, SCALE: 3:1, SHEET: 1 OF 2, REV: B2

THIS DRAWING IS UNPUBLISHED.

RELEASED FOR PUBLICATION

20

© COPYRIGHT 20

BY -

ALL RIGHTS RESERVED.

REVISIONS

P	LTR	DESCRIPTION	DATE	DWN	APVD
	-	SEE SHEET 1	-	-	-

NOTES:



MATERIALS AND FINISH

HOUSING : PA 6.6, UL 94-V0, COLOR GREEN
 TERMINAL : PHOSPHOR BRONZE, TIN PLATED
 SQUARE NUT : BRASS, NICKEL PLATED.

2. MECHANICAL

MAX. INSERTION FORCE PER POLE : 3.0 N
 MIN. WITHDRAWAL FORCE PER POLE : 1.5 N
 MIN. PC BOARD HOLES DIAMETER : 1.2 mm
 MAX. PC BOARD THICKNESS : 2.4 mm

3. ELECTRICAL


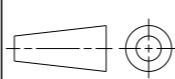


WIRE RANGE : 14-30 AWG
 MAX. VOLTAGE : 300 V
 MAX CURRENT : 11 A
 CONTACT RESISTANCE : <15 m Ohm
 INSULATION RESISTANCE : >1000 M Ohm (500V DC)

4. OPERATING TEMPERATURE RANGE: -40°C TO +110°C

5. CONNECTOR ASSEMBLY INCLUDED 2 SQUARE NUTS LOADED IN CAVITY



NOT CUMULATIVE TOLERANCE

THIS DRAWING IS A CONTROLLED DOCUMENT.		DWN E. ZANOLINI 07FEB2002	 TE Connectivity		
DIMENSIONS: mm		CHK E. ZANOLINI 07FEB2002			
		APVD D. BIEVENOUR 07FEB2002	NAME TERMINAL BLOCK HEADER ASSEMBLY STRAIGHT, 3.81mm PITCH WITH THREADED FLANGE		
TOLERANCES UNLESS OTHERWISE SPECIFIED:		PRODUCT SPEC	RESTRICTED TO		
0 PLC ± 1 PLC ±0.3 2 PLC ±0.25 3 PLC ± 4 PLC ± ANGLES ±2		APPLICATION SPEC	SIZE A300779	CAGE CODE C-284519	
MATERIAL	FINISH	WEIGHT	DRAWING NO		
		-	SCALE 3:1 SHEET 2 OF 2 REV B2		
		CUSTOMER DRAWING			