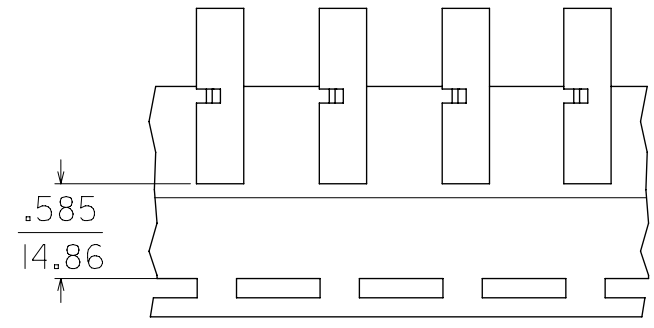
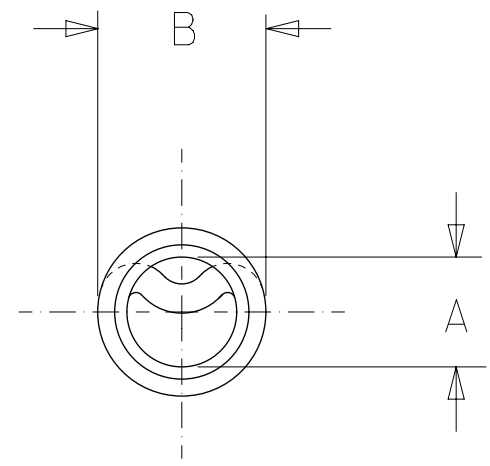
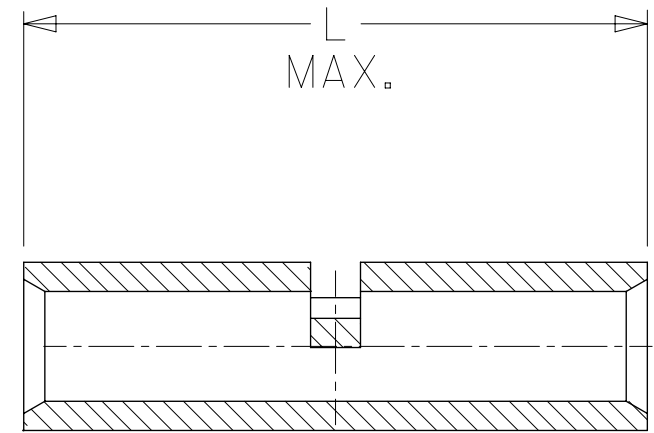


MATERIAL NUMBER	ENG. NUMBER	"L" MAX	"A" MIN.	"B" MAX	PACKAGING
192150018	BS-331	.675 (17.10)	.091 (2.31)	.160 (4.06)	LOOSE PIECE
(C)192150022	BS-342-MX	.605 (15.37)	(C).088 (2.24)	.160 (4.06)	
192150115	BS-331T	.675 (17.10)	.091 (2.31)	.160 (4.06)	TAPE MOUNTED
192150255	BS-331UST	.675 (17.10)	.091 (2.31)	.160 (4.06)	TAPE MOUNTED



PARTS ON TAPE



SALES DRAWING

NOTES:
 1. MATERIAL: COPPER.
 2. PLATING: ELECTRO-TIN.
 3. ALL DIMENSIONS IN INCHES/(MM).

THIS DRAWING CONTAINS INFORMATION THAT IS PROPRIETARY TO MOLEX ELECTRONIC TECHNOLOGIES, LLC AND SHOULD NOT BE USED WITHOUT WRITTEN PERMISSION											
DIMENSION UNITS INCH/MM		SCALE NTS		CURRENT REV DESC: OBSOLETE PART NUMBERS AS PER PCN#508521						molex	
GENERAL TOLERANCES (UNLESS SPECIFIED)				EC NO: 667388		2021/04/28		BUTT CONNECTOR SEAMLESS 16-14 AWG WIRE SIZE			
		MM	INCH	DRWN: SKANDB		2021/07/05					
4 PLACES ±				CHK'D: GGA		2021/07/05		PRODUCT CUSTOMER DRAWING			
3 PLACES ±				APPR: GGA		2021/07/05					
2 PLACES ±				INITIAL REVISION:				DOCUMENT NUMBER SD-19215-002			
1 PLACE ±				DRWN: JLOMASTRO		2005/01/07				DOC TYPE PSD	DOC PART 001
0 PLACES ±				APPR: RDEROSS		2005/01/07		MATERIAL NUMBER SEE TABLE		CUSTOMER GENERAL MARKET	
ANGULAR TOL ± °				THIRD ANGLE PROJECTION		DRAWING B-SIZE					
DRAFT WHERE APPLICABLE MUST REMAIN WITHIN DIMENSIONS				THIRD ANGLE PROJECTION		SERIES 19215					