



HPL-16RC8 HPL-16RC6 HPL-16RC4

CMOS HPL™ Harris
Programmable Logic

HPL-16RC8/6/4

Features

- Pin & Function Compatible with the Bipolar 16R8, 16R6 and 16R4
- Scaled SAJI IV CMOS Process
- Fast Access Input to Output 125ns Max.
..... Clock to Output 60ns Max.
- Low Standby and Operating Power
 - ▶ ICCSB = 150μA
 - ▶ ICCOP = 7mA/MHz
- Wide Operating Temperature Ranges:
 - ▶ HPL-16RC8-5, HPL-16RC6-5, HPL-16RC4-5.....0°C to +75°C
 - ▶ HPL-16RC8-9, HPL-16RC6-9, HPL-16RC4-9.....-40°C to +85°C
 - ▶ HPL-16RC8-8, HPL-16RC6-8,
HPL-16RC4-8-55°C to +125°C
- 20 Pin Dual-In-Line Package
- Security Fuse for Pattern Protection
- TTL/CMOS Compatible Inputs/Outputs for Mixed System Compatibility
- Logic Paths Tested to Insure Functionality
- Programmable Output Polarity

Applications

- Random Logic Replacement
- Code Converters
- Address Decoding
- Custom Shift Registers
- Boolean Function Generators
- Digital Multiplexers
- Parity Generators
- Pattern Recognition
- State Machine Design

Description

The HPL-16RC8, HPL-16RC6, and HPL-16RC4 are CMOS Programmable Logic Devices designed to provide high performance, low power alternatives to the industry standard 16RC8, 16RC6, and 16RC4 bipolar programmable logic devices.

In addition to the low power advantage of these devices over their bipolar counterparts, the HPL-16RC8, HPL-16RC6, and HPL-16RC4 contain programmable output polarity, allowing the user to individually select each output as either active-high or active-low. When all output polarity fuses are left intact, all active outputs are active-low.

These three devices provide a choice of either eight (16RC8), six (16RC6), or four (16RC4) registered outputs

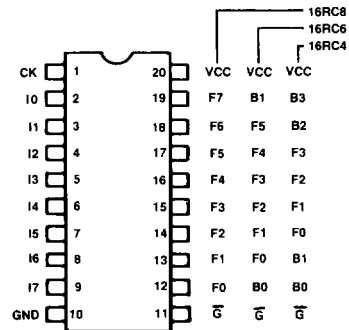
with feedback, each output consisting of eight product terms. The HPL-16RC6 and the HPL-16RC4 also contain two and four bi-directional pins, respectively.

The Harris fuse link technology provides a permanent fuse with stable storage characteristics of the full temperature ranges of 0°C to +75°C, -40°C to +85°C and -55°C to +125°C. Like all Harris Programmable Logic (HPL), these devices contain unique test circuitry developed by Harris which allows AC, DC and functional testing before programming.

On-chip automatic power-down circuitry places internal circuitry into an ultra-low ICCSB power mode after output data becomes valid.

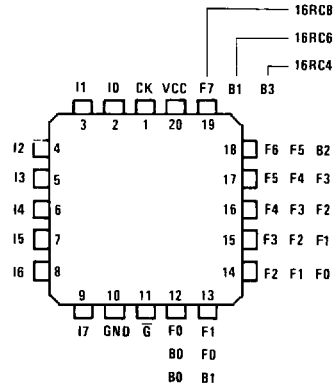
Pinouts

TOP VIEW



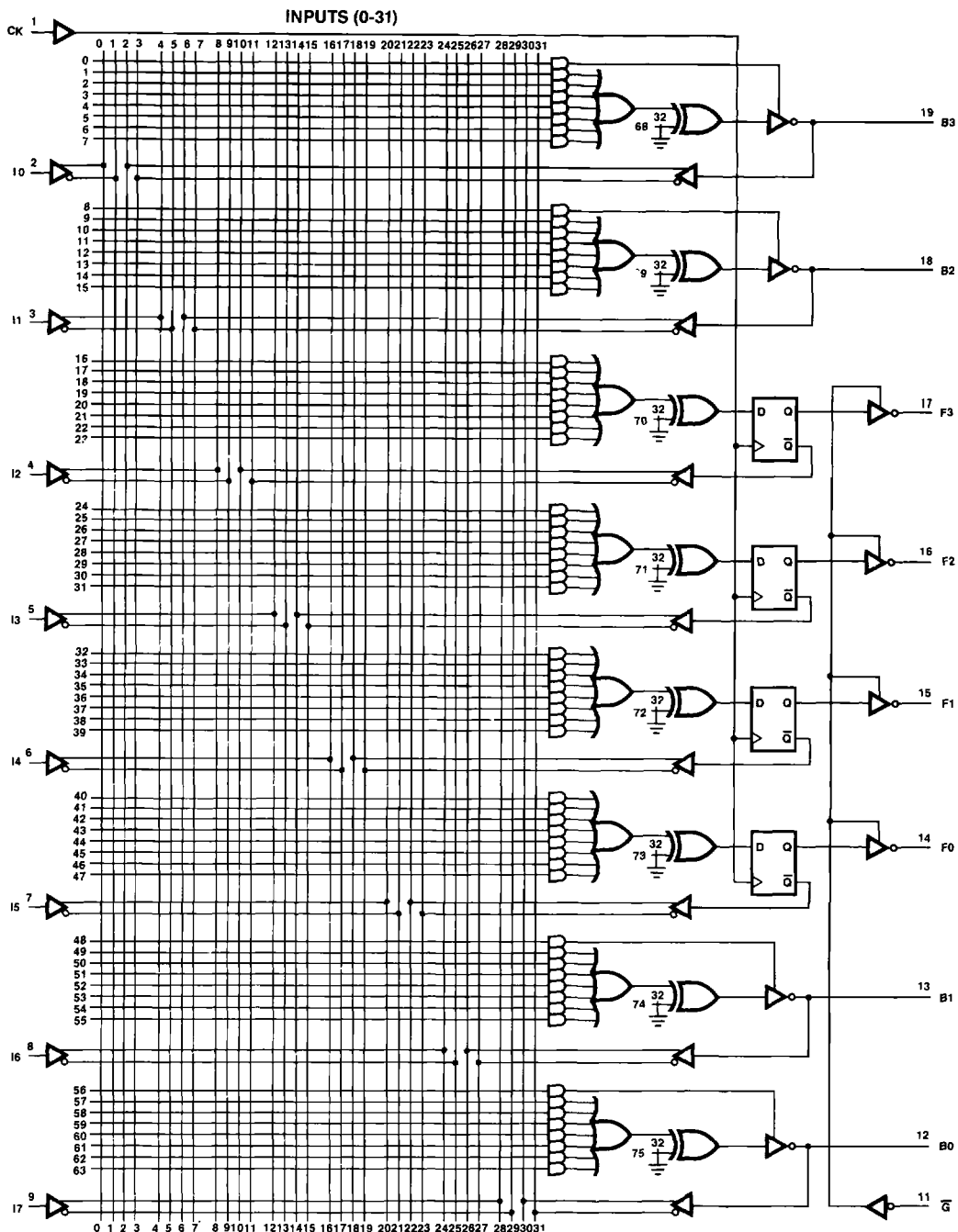
LCC

TOP VIEW



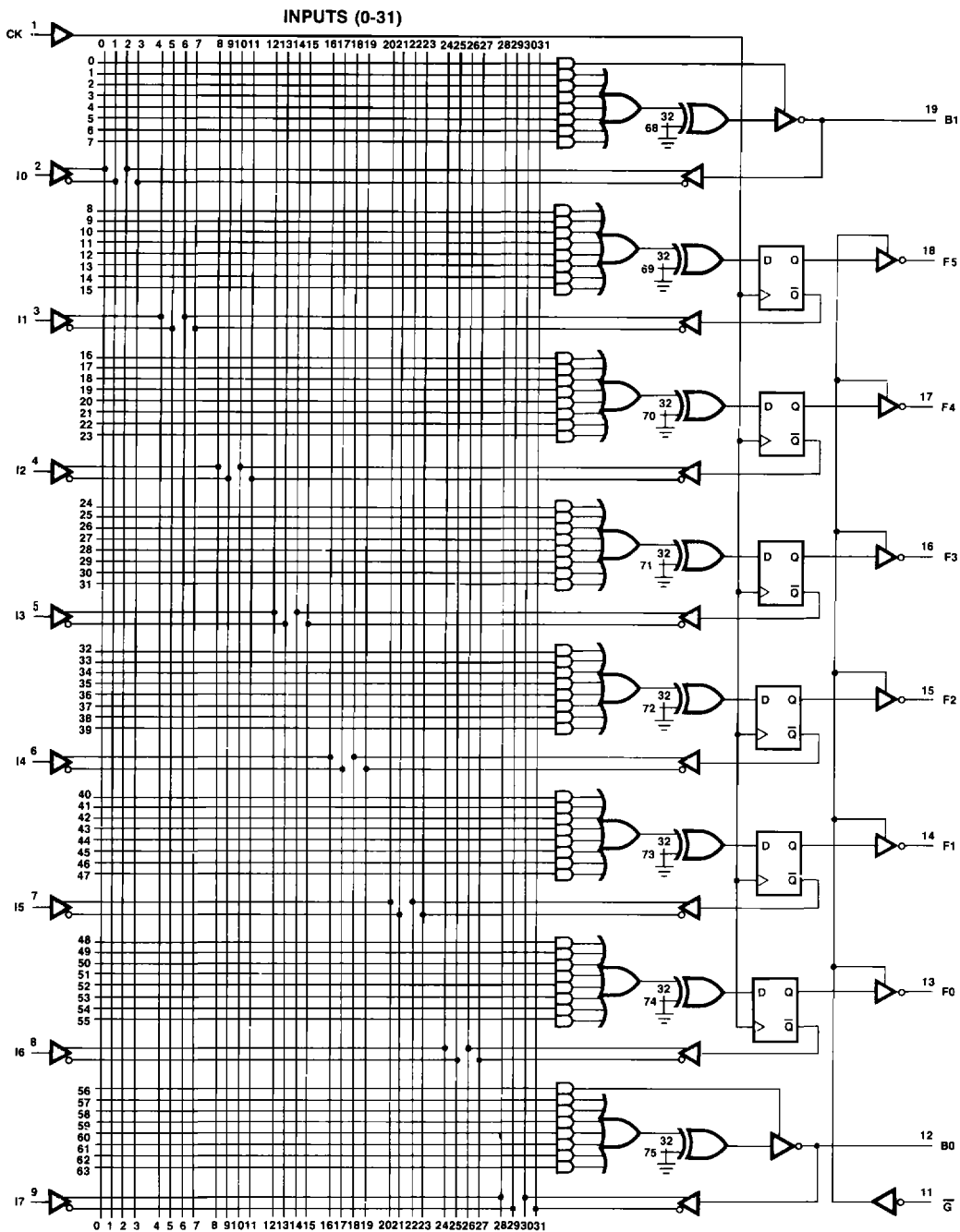
HPL-16RC4

Functional Diagram



HPL-16RC6

Functional Diagram

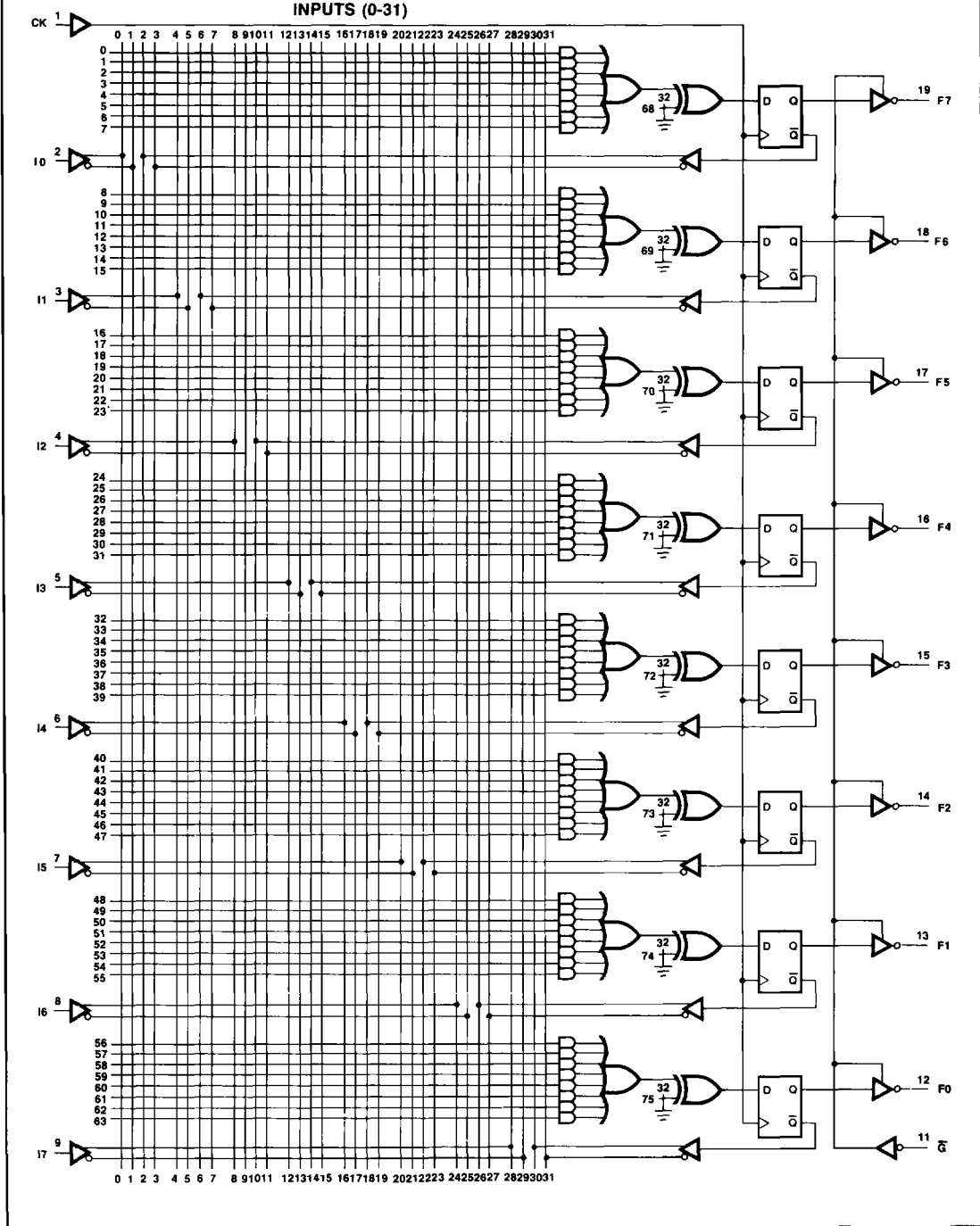


HPL-16RC8/6/4

7
CMOS
HPL

HPL-16RC8

Functional Diagram



Specifications HPL-16RC8, 6, 4

HPL-16RC8/6/4

Absolute Maximum Ratings

Supply Voltage	+7.0 Volts
Input, Output or I/O Voltage Applied	GND -0.3V to VCC +0.3V
Storage Temperature Range	-65°C to +150°C
Maximum Package Power Dissipation	1 Watt
θ_{jc}	16°C/W (CERDIP Package), 19°C/W (LCC Package)
θ_{ja}	70°C/W (CERDIP Package), 76°C/W (LCC Package)
Gate Count	1500 Gates
Junction Temperature	+150°C
Lead Temperature (Soldering, Ten Seconds)	+275°C

CAUTION: Stresses above those listed in the "Absolute Maximum Ratings" may cause permanent damage to the device. This is a stress only rating and operation of the device at these or any other conditions above those indicated in the operation sections of this specification is not implied.

Operating Conditions

Operating Voltage Range	+4.5V to +5.5V
Operating Temperature Range	
HPL-16RC8,6,4-5	0°C to +70°C
HPL-16RC8,6,4-9	-40°C to +85°C
HPL-16RC8,6,4-8	-55°C to +125°C

D.C. Electrical Specifications

(Operating)

HPL-16RC8,6,4-5	(VCC = 5.0V ± 10%, TA = 0°C to +75°C)
HPL-16RC8,6,4-9	(VCC = 5.0V ± 10%, TA = -40°C to +85°C)
HPL-16RC8,6,4-8	(VCC = 5.0V ± 10%, TA = -55°C to +125°C)

SYMBOL	PARAMETER	MIN	MAX	UNITS	TEST CONDITIONS ①
I _{IH}	Dedicated Input Current	"1"	+1	μA	V _{IH} = VCC MAX
I _{IL}	Input Current	"0"	-1	μA	V _{IL} = 0V VCC = VCC MAX
IF _{ZH}	Output Current	"1"	+10	μA	V _{FH} = VCC MAX
IF _{ZL}	Hi-Z State	"0"	-10	μA	V _{FL} = 0V VCC = VCC MAX
IB _{ZH}	Bidirectional Hi-Z Current	"1"	+10	μA	V _{BH} = VCC MAX
IB _{ZL}	Hi-Z Current	"0"	-10	μA	V _{BL} = 0V VCC = VCC MAX
V _{IH}	Input Threshold Voltage ②	"1"	2.0	V	VCC = VCC MAX
V _{IL}	Input Threshold Voltage ②	"0"	0.8	V	VCC = VCC MIN
VO _{H1}	Output Voltage ②	"1"	3.0	V	I _{OH1} = -5.0 mA
VO _{H2}	Output Voltage ②	"1"	VCC-0.4	V	I _{OH2} = -1.0 mA VCC MIN, V _{IL} MAX, V _{IH} MIN
V _{OL}	Output Voltage	"0"	0.4	V	I _{OL} = +5.0 mA
ICCSB	Standby Power Supply Current		150	μA	V _I = VCC or GND I _F = 0μA, VCC = VCC MAX
ICCP	Operating Power Supply Current		7	mA/MHz	V _I = VCC or GND I _F = 0μA, VCC = VCC MAX

- ① These specifications apply to both Input (I) and Bidirectional (B) Pins.
- ② These specifications apply to both Output (F) and Bidirectional (B) Pins.
- ③ All DC parameters tested under worst case conditions.

Capacitance TA = +25°C

SYMBOL	PARAMETER	MAX	UNITS	TEST CONDITIONS
CI	Input Capacitance	5	pF	V _I = VCC or GND, f = 1 MHz
CF	Output Capacitance	10	pF	V _F = VCC or GND, f = 1MHz
CB	Bidirectional Capacitance	12	pF	V _B = VCC or GND, f = 1 MHz

*NOTE: Sampled and guaranteed — but not 100% tested

7

CMOS HPL

Specifications HPL-16RC8, 6, 4

A.C. Switching Specifications ① (Operating)

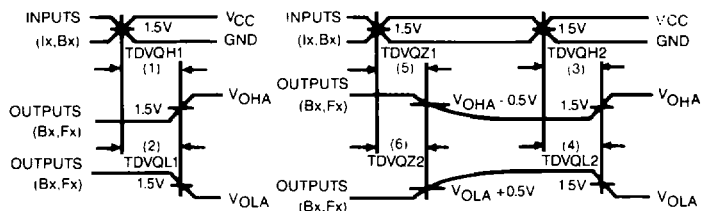
HPL-16RC8,6,4-5 (VCC = 5.0V ± 10%, TA = 0°C to +75°C)
 HPL-16RC8,6,4-9 (VCC = 5.0V ± 10%, TA = -40°C to +85°C)
 HPL-16RC8,6,4-8 (VCC = 5.0V ± 10%, TA = -55°C to +125°C)

SYMBOL			HPL-16RC8,6,4-5		HPL-16RC8,6,4-9		HPL-16RC8,6,4-8		
JEDEC STANDARD	OLD SYMBOL	PARAMETER	MIN	MAX	MIN	MAX	MIN	MAX	UNITS
(1) TDVQH1	TPD	Propagation delay Input or I/O to Active High Output	-	125	-	125	-	125	ns
(2) TDVQL1	TPD	Propagation delay Input or I/O to Active Low Output	-	125	-	125	-	125	ns
(3) TDVQH2 ①	TPZX	Enable Access Time to Active High Output - Product Term Controlled	TDVQZ1	125	TDVQZ1	125	TDVQZ1	125	ns
(4) TDVQL2 ①	TPZX	Enable Access Time to Active Low Output-Product Term Controlled	TDVQZ2	125	TDVQZ2	125	TDVQZ2	125	ns
(5) TDVQZ1	TPXZ	Disable Access Time from Active High Output-Product Term Controlled	-	125	-	125	-	125	ns
(6) TDVQZ2	TPXZ	Disable Access Time from Active Low Output-Product Term Controlled	-	125	-	125	-	125	ns
(7) TCHQH	TCLK	Propagation delay Clock to Active High	-	60	-	60	-	60	ns
(8) TCHQL	TCLK	Propagation delay Clock to Active Low	-	60	-	60	-	60	ns
(9) TGLQH ①	TPZX	Enable Access Time to Active High Output - Enable Pin Controlled	TGHQZ1	60	TGHQZ1	60	TGHQZ1	60	ns
(10) TGLQL ①	TPZX	Enable Access Time to Active Low Output - Enable Pin Controlled	TGHQZ2	60	TGHQZ2	60	TGHQZ2	60	ns
(11) TGHQZ1	TPXZ	Disable Access Time from Active High Output - Enable Pin Controlled	-	60	-	60	-	60	ns
(12) TGHQZ2	TPXZ	Disable Access Time from Active Low Output - Enable Pin Controlled	-	60	-	60	-	60	ns
(13) TDVCH	TSU	Data Setup Time	125	-	125	-	125	-	ns
(14) TCHDX	TH	Data Hold Time	0	-	0	-	0	-	ns
(15) TCHCL	TW	Clock Pulse Width (High)	25	-	25	-	25	-	ns
(16) TCLCH	TW	Clock Pulse Width (Low)	25	-	25	-	25	-	ns
(17) fMAX	fMAX	Maximum Frequency	-	5	-	5	-	5	MHz

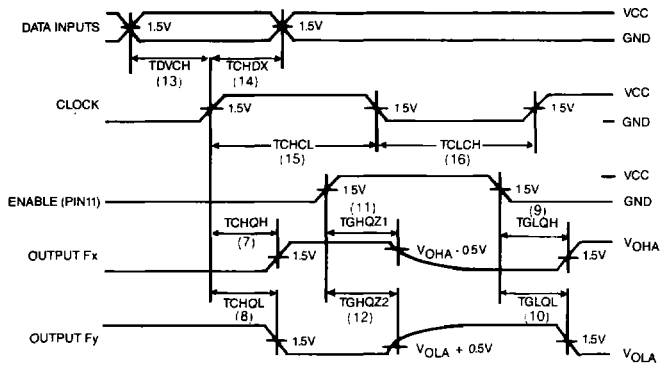
① Enable access time is guaranteed to be greater than disable access time to avoid device contention.

Switching Time Definitions

Asynchronous Outputs



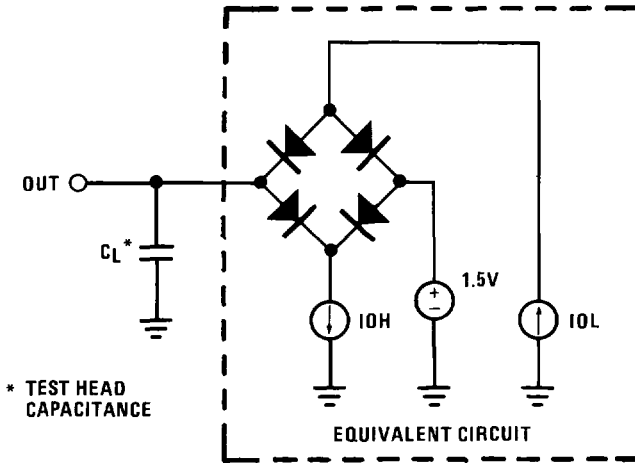
Synchronous Outputs



INPUT CONDITIONS: $t_r, t_f = 5\text{ns}$ (10% to 90%)

NOTE: Disable access time is the time taken for the output to reach a high impedance state when the three-state product term or the output enable pin drives the output inactive. The high impedance state is defined as a point on the output waveform equal to a ΔV of 0.5V from VOHA or VOLA, the active output level.

A.C. Test Load



* TEST HEAD CAPACITANCE

HPL-16RC8, 6, 4

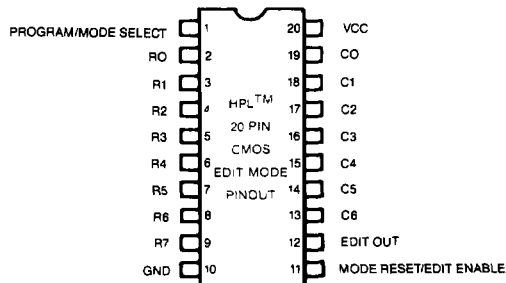
Programming

Following is the programming procedure used for the HPL-16RC8,6,4 programmable logic devices. These devices are manufactured with all fuses intact. Any desired fuse can be programmed by following the simple procedure shown on the following page. One may build a programmer to satisfy the specifications described in the table, or use any of the commercially available programmers which meets these specifications. Please contact Harris for a list of approved programmers.

**TABLE 1
PROGRAMMING SPECIFICATIONS**

SYMBOL	PARAMETER	TEST CONDITIONS	LIMITS			UNITS
			MIN	TYP	MAX	
VCCP	VCC Voltage During Programming		11.50	12.00	12.00	V
VCCV	VCC Voltage During Verify		4.75	5.00	5.25	V
ICCP	IC Limit During Programming			100	200	mA
VNEG	Edit Enable & Mode Select Voltage		-5.00	-5.00	-7.00	V
INEG	Edit Enable & Mode Select Current				-5.00	mA
VIL	Input Voltage Low	Verify Programming	0.00	0.00	0.80	V
VIHV	Input Voltage High		① VCCV-2	VCCV	VCCV	V
VIHP	Input Voltage High		② VCCP-2	VCCP	VCCP	V
IILP	Input Current Low	VIL = 0.0V		0	1	μA
IiHV	Input Current High	Verify Programming		0	1	μA
IiHP	Input Current High			0	1	μA
VSI	Verify voltage	Intact Fuse	3.00	3.30		V
VSP	Verify voltage	Programmed Fuse		0.00	0.50	V
TV	Verify Pulse Delay		500	750	1000	μsec
PWP	Programming Width		4.5	5.0	5.5	msec
td	Pulse Seq. Delay		1	1	10	μsec
tr1	Signal Rise Time	10% to 90%	0.01	0.1		μsec
tr2	VCC Rise Time	10% to 90%	0.01	0.1	5	μsec
tf1	Signal Fall Time	90% to 10%	0.01	0.1	1	μsec
tf2	VCC Fall Time	90% to 10%	0.01	0.1	5	μsec
INEG	Mode Select Width		1	1	5	μsec
TPP	Programming Period			5.1		msec
FL	Fuse Attempts/Link		1	1	2	cycles

① Inputs defined as logic "1" (VIHV or VIHP) must track the VCC power supply when the supply is raised or lowered. The input levels should never exceed the level on the VCC PIN.



**FIGURE 1
EDIT MODE PINOUT
HPL-16RC8, 6, 4**

- NOTES: *
- * While programming the CMOS HPL™ device, no pins should be left floating. EDIT OUT appears as an open drain output during programming. It should be tied to GND through a 1M-ohm resistor.
 - * CMOS HPL outputs are not put into a high impedance state (suitable for row and column address application) until the device is reset and put into the edit mode. For this reason it is recommended that the outputs be left floating until the edit mode is enabled or that the outputs be driven thru a 2k-ohm resistor.
 - * It is suggested that a 0.01μF capacitor be put between VCC and GND to minimize VCC voltage spikes. Also, particular care should be exercised in regard to transients on the MODE SELECT and MODE RESET pins, which could place the device in the incorrect mode.

Programming Procedure

① Set-Up:

- NOTE: Refer to the Figure 1 for the pin definitions, Table 1 for the timing and level definitions, Table 2 for the mode decode, and Tables 3 & 4 for the address decoding.
- During programming, no pins should be left floating.
 - EDIT OUT (Pin 12) should be terminated with a 1 Mohm ($\pm 1\%$) resistor to GND and stray capacitances on this pin should be ≤ 50 pF.
 - Set GND to 0.00 volts.
 - Outputs are only in a high impedance state (and available for addressing of edit mode rows and columns) while in Edit Modes 1 thru 4. Do not apply signals to these pins until a valid Edit Mode is entered.
 - All input and bi-directional pins should be at zero volts nominal with a maximum of 0.3 volts applied.
 - Apply VCCV to the part. No input should ever exceed the level on the VCC PIN.

② Mode Reset/Edit Enable:

- Wait t_d and reset the edit control logic by pulsing the MODE RESET PIN to VNEG.
- Wait t_d and enable Edit mode by applying VNEG to the EDIT ENABLE PIN.

③ Mode Select:

- Wait t_d and select EDIT MODE 1 by pulsing the MODE SELECT PIN to VNEG. Subsequent pulses will increment the mode to 2, 3 and 4 sequentially (sequencing the device beyond mode 4 will result in unpredictable results -- if in doubt, return to STEP 2).
- Verify entry into the proper mode by addressing column 64 and the row indicated in Table 2, waiting TV and monitoring the EDIT OUT PIN for the proper data.
- Address column 65 and the row indicated in Table 2, wait TV and monitor the EDIT OUT PIN for the proper data. If both steps 3b and 3c are correct, then the proper mode has been selected.
- To re-enter a mode lower than the current mode, return to step 2. Mode 1 can only be (re-)entered from step 2.

④ Fuse select:

NOTE: The voltage for a logical "1" (VIHP) must not exceed VCCP and must track VCCP as it rises from VCCV in step 5.

- wait t_d and select a row by applying the appropriate address from Table 3.
- Select a column by applying the appropriate address from Table 4.

⑤ Verify Intact Fuse:

NOTE: Skip this step for post-programming verify.

- Wait TV and monitor EDIT OUT (Pin 12) for VSI.
- If EDIT OUT has indicated less than VSI, the fuse is not intact. Reject this device for a non-blank matrix.

⑥ Program the Fuse:

NOTE: The PROTECT and POLARITY fuses can be accessed from either mode 1 or mode 3 by applying the addresses indicated in Tables 3 & 4.

THE 'PROTECT' FUSE SHOULD NOT BE PROGRAMMED UNTIL ALL OTHER FUSES HAVE BEEN PROGRAMMED AND VERIFIED AS PROGRAMMING THIS FUSE DEFEATS ALL FURTHER VERIFICATION!!

- Wait t_d and raise the VCC PIN to VCCP (allow VIHP to track this rise).
- Wait t_d and pulse the PROGRAM PIN (Pin 1) to VIHP for a duration of PWP.
- Wait t_d and lower the VCC PIN to VCCV (allow VIHP to track this fall)

⑦ Verify Fuse:

- Wait TV and monitor EDIT OUT for VSP (or VSI if verifying an intact fuse).
- If EDIT OUT has indicated greater than VSP for an attempted programmed fuse, repeat step 6 so that the fuse receives a maximum of FL fusing attempts.

④ Repeat steps 4 through 7 for all addresses in a given mode.....

⑤ Repeat steps 3 through 8 for all modes.

Programming Waveforms

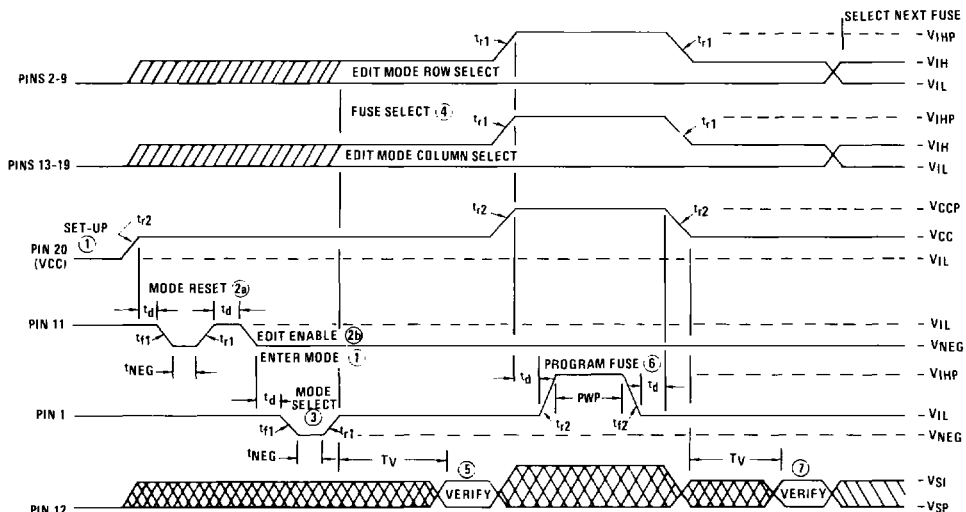


FIGURE 2

NOTE: PINS 13-19 are not necessarily three states and available for application of column address input signals until a valid edit mode is entered. Refer to the edit mode pinout (Figure 1 for further details.

HPL-16RC8, 6, 4

**MODE VERIFICATION
TABLE 2**

MODE	COLUMN NUMBER	ROW NUMBER	EDIT OUT (PIN 12) LOGICAL LEVEL
1	84	0	0
	85	0	0
2	84	1	0
	85	1	1
3	84	2	1
	85	2	0
4	84	3	1
	85	3	1

NOTE: *At least two addresses must be checked to verify the proper edit mode.
*The conversion from the decimal column and row addresses in the table above to the actual pin levels can be made in Tables 3 and 4.

**EDIT MODE ROW SELECT
TABLE 3
HPL-16RC8,6,4**

PROG MODE	ROW NUMBER	VARIABLE								VARIABLE		
		R7	R6	R5	R4	R3	R2	R1	R0	16RC8	16RC6	16RC4
		Pin 9	Pin 8	Pin 7	Pin 6	Pin 5	Pin 4	Pin 3	Pin 2			
1	0	H	H	H	H	H	H	H	L	10	10	10
	4	H	H	H	H	H	H	L	H	11	11	11
	8	H	H	H	H	H	L	H	H	12	12	12
	12	H	H	H	H	H	H	H	H	13	13	13
	16	H	H	H	L	H	H	H	H	14	14	14
	20	H	H	L	H	H	H	H	H	15	15	15
	24	H	L	H	H	H	H	H	H	16	16	16
	28	L	H	H	H	H	H	H	H	17	17	17
2	1	L	L	L	L	L	L	L	H	/R0	/R0	/R0
	5	L	L	L	L	L	L	H	L	/R1	/R1	/R1
	9	L	L	L	L	L	L	H	L	/R2	/R2	/R2
	13	L	L	L	L	L	L	L	L	/R3	/R3	/R3
	17	L	L	L	L	L	L	L	L	/R4	/R4	/R4
	21	L	L	L	L	L	L	L	L	/R5	/R5	/R5
	25	L	H	L	L	L	L	L	L	/R6	/R6	/R6
	29	H	L	L	L	L	L	L	L	/R7	/R7	/R7
3	2	H	H	H	H	H	H	L	L	F7	B1	B3
	6	H	H	H	H	H	H	L	H	F8	F5	B2
	10	H	H	H	H	H	L	H	H	F5	F4	F3
	14	H	H	H	H	L	H	H	H	F4	F3	F2
	18	H	H	H	L	H	H	H	H	F3	F2	F1
	22	H	H	L	H	H	H	H	H	F2	F1	F0
	26	H	L	H	H	H	H	H	H	F1	F0	B1
	30	L	H	H	H	H	H	H	H	F0	B0	B0
4	3	L	L	L	L	L	L	L	H	/F7	/B1	/B3
	7	L	L	L	L	L	L	H	L	/F8	/F5	/B2
	11	L	L	L	L	L	H	L	L	/F5	/F4	/F3
	15	L	L	L	L	L	L	L	L	/F4	/F3	/F2
	19	L	L	L	L	L	L	L	L	/F3	/F2	/F1
	23	L	L	L	L	L	L	L	L	/F2	/F1	/F0
	27	L	H	L	L	L	L	L	L	/B1	/B0	/B1
	31	H	L	L	L	L	L	L	L	/F0	/B0	/B0
1 or 3	32	H	H	H	H	H	H	H	H	CONFIGURE		

LEGEND: L = Logic Low H = Logic high

NOTE: The configure row can be selected while in either mode 1 or mode 3.

**EDIT MODE COLUMN SELECT
TABLE 4**

COLUMN NUMBER	C8		C5		C4		C3		C2		C1		C0	
	Pin 13	Pin 14	Pin 15	Pin 16	Pin 17	Pin 18	Pin 19							
0	L	L	L	L	L	L	L	L	L	L	L	L	L	L
1	L	L	L	L	L	L	L	L	L	L	L	L	L	L
2	L	L	L	L	L	L	L	L	L	L	L	L	L	L
3	L	L	L	L	L	L	L	L	L	L	L	L	L	L
4	L	L	L	L	L	L	L	L	L	L	L	L	L	L
5	L	L	L	L	L	L	L	L	L	L	L	L	L	L
6	L	L	L	L	L	L	L	L	L	L	L	L	L	L
7	L	L	L	L	L	L	L	L	L	L	L	L	L	L
8	L	L	L	L	L	L	L	L	L	L	L	L	L	L
9	L	L	L	L	L	L	L	L	L	L	L	L	L	L
10	L	L	L	L	L	L	L	L	L	L	L	L	L	L
11	L	L	L	L	L	L	L	L	L	L	L	L	L	L
12	L	L	L	L	L	L	L	L	L	L	L	L	L	L
13	L	L	L	L	L	L	L	L	L	L	L	L	L	L
14	L	L	L	L	L	L	L	L	L	L	L	L	L	L
15	L	L	L	L	L	L	L	L	L	L	L	L	L	L
16	L	L	L	L	L	L	L	L	L	L	L	L	L	L
17	L	L	L	L	L	L	L	L	L	L	L	L	L	L
18	L	L	L	L	L	L	L	L	L	L	L	L	L	L
19	L	L	L	L	L	L	L	L	L	L	L	L	L	L
20	L	L	L	L	L	L	L	L	L	L	L	L	L	L
21	L	L	L	L	L	L	L	L	L	L	L	L	L	L
22	L	L	L	L	L	L	L	L	L	L	L	L	L	L
23	L	L	L	L	L	L	L	L	L	L	L	L	L	L
24	L	L	L	L	L	L	L	L	L	L	L	L	L	L
25	L	L	L	L	L	L	L	L	L	L	L	L	L	L
26	L	L	L	L	L	L	L	L	L	L	L	L	L	L
27	L	L	L	L	L	L	L	L	L	L	L	L	L	L
28	L	L	L	L	L	L	L	L	L	L	L	L	L	L
29	L	L	L	L	L	L	L	L	L	L	L	L	L	L
30	L	L	L	L	L	L	L	L	L	L	L	L	L	L
31	L	L	L	L	L	L	L	L	L	L	L	L	L	L
32	L	L	L	L	L	L	L	L	L	L	L	L	L	L
33	L	L	L	L	L	L	L	L	L	L	L	L	L	L
34	L	L	L	L	L	L	L	L	L	L	L	L	L	L
35	L	L	L	L	L	L	L	L	L	L	L	L	L	L
36	L	L	L	L	L	L	L	L	L	L	L	L	L	L
37	L	L	L	L	L	L	L	L	L	L	L	L	L	L
38	L	L	L	L	L	L	L	L	L	L	L	L	L	L
39	L	L	L	L	L	L	L	L	L	L	L	L	L	L
40	L	L	L	L	L	L	L	L	L	L	L	L	L	L
41	L	L	L	L	L	L	L	L	L	L	L	L	L	L
42	L	L	L	L	L	L	L	L	L	L	L	L	L	L
43	L	L	L	L	L	L	L	L	L	L	L	L	L	L
44	L	L	L	L	L	L	L	L	L	L	L	L	L	L
45	L	L	L	L	L	L	L	L	L	L	L	L	L	L
46	L	L	L	L	L	L	L	L	L	L	L	L	L	L
47	L	L	L	L	L	L	L	L	L	L	L	L	L	L
48	L	L	L	L	L	L	L	L	L	L	L	L	L	L
49	L	L	L	L	L	L	L	L	L	L	L	L	L	L
50	L	L	L	L	L	L	L	L	L	L	L	L	L	L
51	L	L	L	L	L	L	L	L	L	L	L	L	L	L
52	L	L	L	L	L	L	L	L	L	L	L	L	L	L
53	L	L	L	L	L	L	L	L	L	L	L	L	L	L
54	L	L	L	L	L	L	L	L	L	L	L	L	L	L
55	L	L	L	L	L	L	L	L	L	L	L	L	L	L
56	L	L	L	L	L	L	L	L	L	L	L	L	L	L
57	L	L	L	L	L	L	L	L	L	L	L	L	L	L
58	L	L	L	L	L	L	L	L	L	L	L	L	L	L
59	L	L	L	L	L	L	L	L	L	L	L	L	L	L
60	L	L	L	L	L	L	L	L	L	L	L	L	L	L
61	L	L	L	L	L	L	L	L	L	L	L	L	L	L
62	L	L	L	L	L	L	L	L	L	L	L	L	L	L
63	L	L	L	L	L	L	L	L	L	L	L	L	L	L
64	H	L	L	L	L	L	L	L	L	L	L	L	L	L
65	H	L	L	L	L	L	L	L	L	L	L	L	L	L
68	H	L	L	L	L	L	L	L	L	L	L	L	L	L
69	H	L	L	L	L	L	L	L	L	L	L	L	L	L
70	H	L	L	L	L	L	L	L	L	L	L	L	L	L
71	H	L	L	L	L	L	L	L	L	L	L	L	L	L
72	H	L	L	L	L	L	L	L	L	L	L	L	L	L
73	H	L	L	L	L	L	L	L	L	L	L	L	L	L
74	H	L	L	L	L	L	L	L	L	L	L	L	L	L
75	H	L	L	L	L	L	L	L	L	L	L	L	L	L
76	H	L	L	L	L	L	L	L	L	L	L	L	L	L

LEGEND: L = Logic Low H = Logic High.