

# XUVU06M3PSNM8

Photoelectric sensors XU, ultrasonic sensor label fork 60x3, 12...24 V DC, PNP NO/NC connect M8



## Main

Range of Product	Telemecanique Photoelectric sensors XU
Series name	Application packaging
Electronic sensor type	Photo-electric sensor
Sensor name	XUV
Sensor design	Fork
Detection system	Thru beam
Emission	Ultrasonic
Type of setting	With
Passage width	0.12 in (3 mm)
Passage depth	2.72 in (69 mm)
Material	Metal
Supply circuit type	DC
Wiring Technique	4-wire
Discrete output type	PNP
Discrete output function	1 NO or 1 NC programmable
Electrical connection	1 male connector M8, 4 pins
Product Specific Application	Detection of transparent labels
[Sn] nominal sensing distance	0.12 in (3 mm) thru beam

## Complementary

Setting-up	Numeric potentiometer
Enclosure Material	Zinc alloy
Lens material	PC
Accuracy	+/- 0.20 mm 120 m/min
Minimum label length	0.08 in (2 mm)
Minimum distance between labels	0.08 in (2 mm)
Maximum passing speed of object	180 m/min
Type of output signal	Discrete
Output Type	Solid state
Status LED	Output state 1 LED yellow) Adjustment mode and keypad locking 1 LED red)
[Us] rated supply voltage	12...24 V DC reverse polarity protection
Supply voltage limits	10...30 V DC
Switching capacity in mA	<= 100 mA (overload and short-circuit protection)
Switching frequency	<= 1500 Hz
Maximum voltage drop	<2 V (closed state)
Maximum delay first up	30 ms
Maximum delay response	0.3 ms
Maximum delay recovery	0.3 ms
Depth	1.85 in (47 mm)
Height	3.64 in (92.5 mm)
Width	0.71 in (18 mm)
Net Weight	0.29 lb(US) (0.13 kg)

The information provided in this documentation contains general descriptions and/or technical characteristics of the products of the products contained herein. This documentation is not intended as a substitute for and is not to be used for determining suitability or reliability of these products for specific user applications. It is the duty of any such user or integrator to perform the appropriate and complete risk analysis, evaluation and testing of the products with respect to the relevant specific application or use thereof. Neither Schneider Electric Industries SAS nor any of its affiliates or subsidiaries shall be responsible or liable for misuse of the information contained herein.

## Environment

Product Certifications	CE cULus
Ambient Air Temperature for Operation	41...131 °F (5...55 °C)
Ambient Air Temperature for Storage	-4...158 °F (-20...70 °C)
Vibration resistance	7 gn +/- 1.5 mm 10...55 Hz IEC 60068-2-6
Shock resistance	30 gn 11 ms) IEC 60068-2-27
IP degree of protection	IP65 IEC 60529




## Ordering and shipping details

Category	22490-SENSORS-ULTRASONIC (XX5,6)
Discount Schedule	DS2
GTIN	3606480502750
Nbr. of units in pkg.	1
Package weight(Lbs)	5.71 oz (162.0 g)
Returnability	No
Country of origin	FR

## Packing Units

Unit Type of Package 1	PCE
Package 1 Height	1.42 in (3.6 cm)
Package 1 width	5.04 in (12.8 cm)
Package 1 Length	2.83 in (7.2 cm)
Unit Type of Package 2	S01
Number of Units in Package 2	15
Package 2 Weight	5.77 lb(US) (2.616 kg)
Package 2 Height	5.91 in (15 cm)
Package 2 width	5.91 in (15 cm)
Package 2 Length	15.75 in (40 cm)

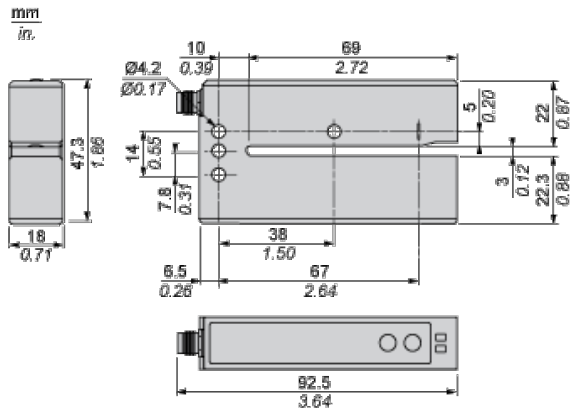
## Offer Sustainability

California proposition 65	WARNING: This product can expose you to chemicals including: Diisononyl phthalate (DINP), which is known to the State of California to cause cancer, and Di-isodecyl phthalate (DIDP), which is known to the State of California to cause birth defects or other reproductive harm. For more information go to <a href="http://www.P65Warnings.ca.gov">www.P65Warnings.ca.gov</a>
REACH Regulation	 <a href="#">REACH Declaration</a>
EU RoHS Directive	Pro-active compliance (Product out of EU RoHS legal scope)  <a href="#">EU RoHS Declaration</a>
Mercury free	Yes
RoHS exemption information	 <a href="#">Yes</a>

## Contractual warranty

Warranty	18 months
----------	-----------

Dimensions



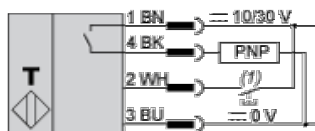
## Wiring Schemes

### Connector



- 1 : BN: Brown
- 2 : WH: White (remote teaching)
- 3 : BU: Blue
- 4 : BK: Black)

### PNP Function



- (1) Remote teaching