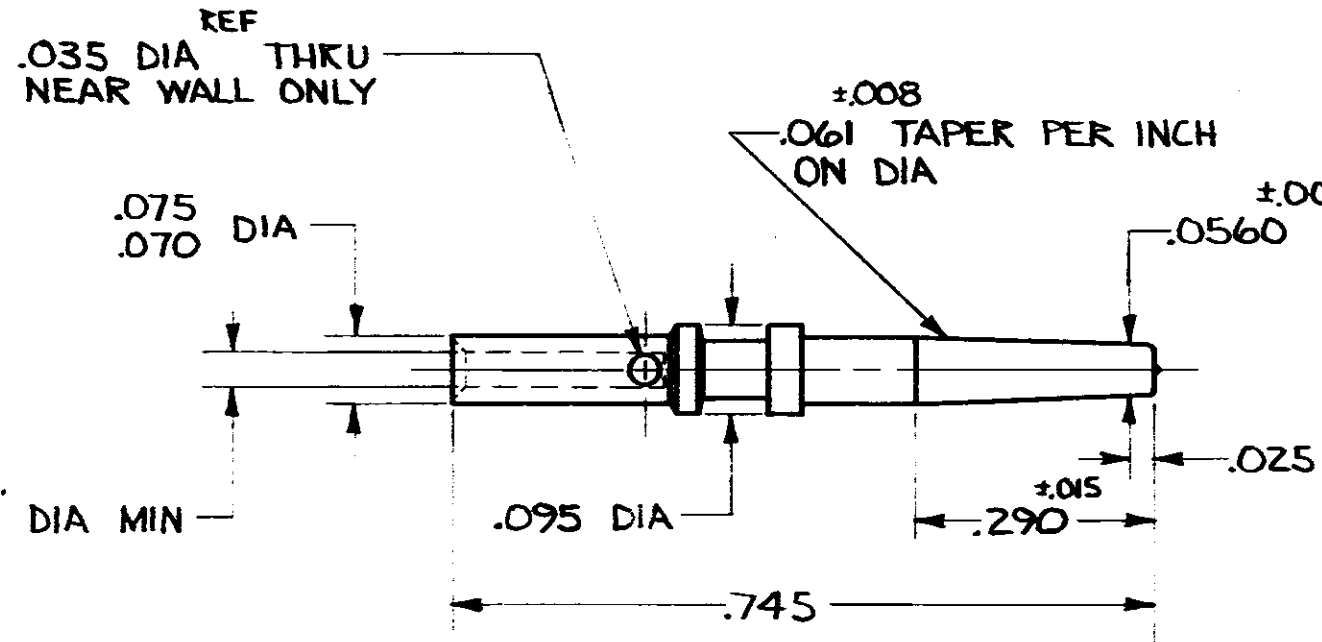
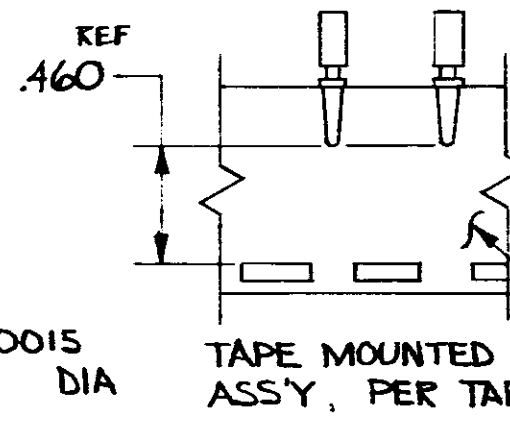


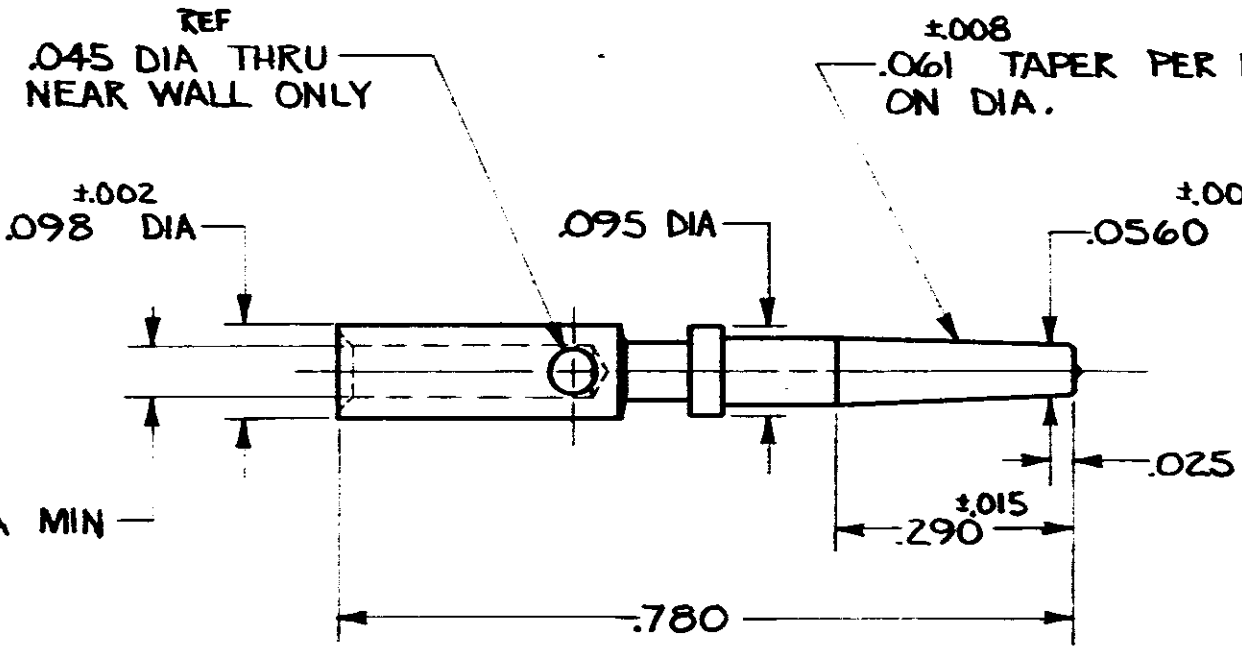
© COPYRIGHT 1964, 76 BY AMP INCORPORATED, HARRISBURG, PA. ALL INTERNATIONAL RIGHTS RESERVED. AMP INCORPORATED PRODUCTS COVERED BY U. S. AND FOREIGN PATENTS AND/OR PATENTS PENDING.

REVISIONS						
P	F	ZONE	LTR	DESCRIPTION	DATE	APPROVED
✓	✓		D	REVISED, REDRAWN, ADDED -S, 3PLACES ECN 425	11-76	DJH
✓	✓		E	OBSOLETE 66123-2 & 66163-1 EA 970	22-79	DJA
✓	✓		F	BRIGHT TIN-LEAD WAS BRIGHT TIN, EA 1818	6-18-81	DS
✓	✓		G	OBSOLETE 66125-2 & 66163-2, ECN S2626-	3-84	DS
✓	✓		H	OBS 66123-5, 125-5, 163-5 ECN S3379	11-86	RS
✓	✓		J	OBS 66123-1, 66125-1 ECN S3733	4-87	



66123 AS SHOWN


OBSOLETE .000030 GOLD OVER .000050 NICKEL	YES	.064	16	66163-5
.000030 GOLD OVER .000050 NICKEL	NO	.064	16	-3
OBSOLETE .000200 SILVER	NO	.064	16	-2
OBSOLETE .000100 BRIGHT TIN-LEAD	NO	.064	16	66163-1



66125 & 66163 AS SHOWN

OBSOLETE .000030 GOLD OVER .000050 NICKEL	YES	.055	20-18	66125-5
.000030 GOLD OVER .000050 NICKEL	NO	.055	20-18	-3
OBS .000200 SILVER	NO	.055	20-18	-2
OBSOLETE .000100 BRIGHT TIN-LEAD	NO	.055	20-18	66125-1

OBSOLETE .000030 GOLD OVER .000050 NICKEL	YES	.035	24-22	66123-5
.000030 GOLD OVER .000050 NICKEL	NO	.035	24-22	-3
OBSOLETE .000200 SILVER	NO	.035	24-22	-2
OBSOLETE .000100 BRIGHT TIN-LEAD	NO	.035	24-22	66123-1

PLATING		MOUNTED ON "A" DIA WIRE GAGE TAPE		PART NO
UNLESS OTHERWISE SPECIFIED DIMENSIONS ARE IN INCHES. TOLERANCES ON: DECIMALS ± .010 ANGLES ±	CONTRACT NO 11-15-76	 AMP INCORPORATED Harrisburg, Pa.		NAME PIN, TAPER, '53' SERIES NON-INSULATED SUPPORT
MATERIAL BRASS	11-19-76			
FINISH PER TABLE	11-23-76	SIZE B	CODE IDENT NO 00779	DRAWING NO 66123
SCALE 5:1		SHEET 1 OF 1		