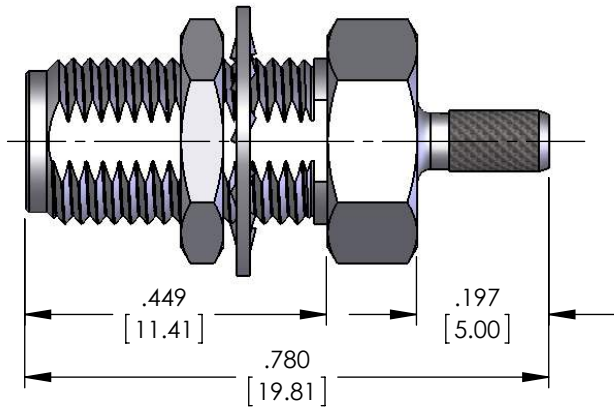
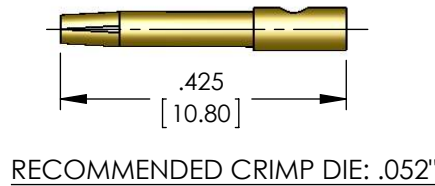


RSA-3252-B

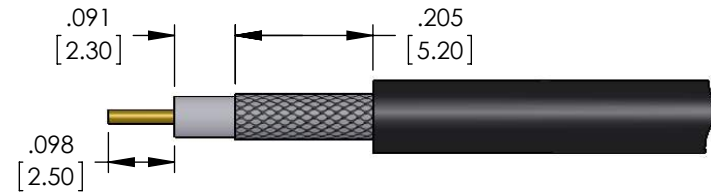
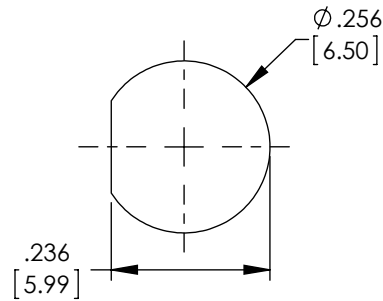
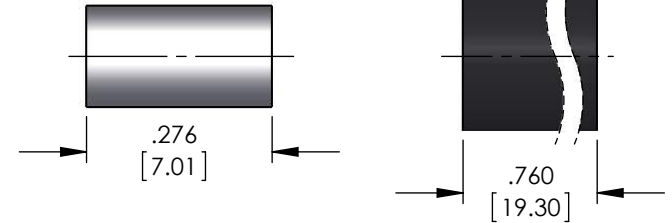
REV	DESCRIPTION	DATE	APPR
-	ENGINEERING RELEASE	05/14/13	JDM



.125 [3.2] MAX PANEL THICKNESS



RECOMMENDED CRIMP DIE: .130"



SPECIFICATIONS:

IMPEDANCE: 50 Ohms
 FREQUENCY RANGE: 0-12.4 GHz
 WORKING VOLTAGE: 500 V rms Max. @ Sea Level
 INSULATION RESISTANCE: 5k M Ohms min.
 TEMPERATURE RANGE: -65°C TO 165°C
 INSERTION LOSS(dB): 0.06 dB MAX. $x\sqrt{f}$ (GHz)
 FOR RG-174, 188, 188A, 316/U, ALPHA 9174, 9316,
 BELDEN 8216, 83269, 83284, 84316 & TIMES LMR-100 CABLE

7	TUBING	1	HEAT SHRINK	BLACK
6	FERRULE	1	BRASS	NICKEL
5	HEX NUT	1	BRASS	NICKEL
4	LOCK WASHER	1	BRASS	NICKEL
3	CONTACT	1	BeCu	GOLD
2	INSULATOR	1	PTFE	---
1	BODY	1	BRASS	NICKEL
#	DESCRIPTION	QTY	MATERIAL	FINISH

ROHS COMPLIANT	NAME	DATE	RF INDUSTRIES 7610 MIRAMAR RD. SAN DIEGO, CA. 92126 858-549-6340 FAX 858-549-6345	
	DRAWN	C. ZUNIGA		05/14/13
	CHECKED			
UNLESS OTHERWISE SPECIFIED:	ENG APPR.		TITLE:	
DIMENSIONS ARE IN INCHES	PROPRIETARY AND CONFIDENTIAL		SMA JACK BULKHEAD	
ALL DIMENSIOAS ARE FOR REFERENCE ONLY	THE INFORMATION CONTAINED IN THIS DRAWING IS THE SOLE PROPERTY OF RF INDUSTRIES. ANY REPRODUCTION IN PART OR AS A WHOLE WITHOUT THE WRITTEN PERMISSION OF RF INDUSTRIES IS STRICTLY PROHIBITED.		SIZE	
CABLE GROUP			DWG. NO.	REV
B			A	RSA-3252-B
CODE	000000	SCALE: NTS	NOTES:	SHEET 1 OF 1