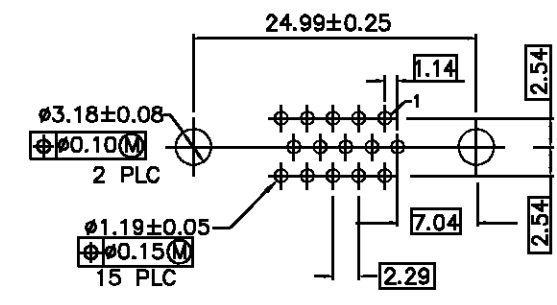
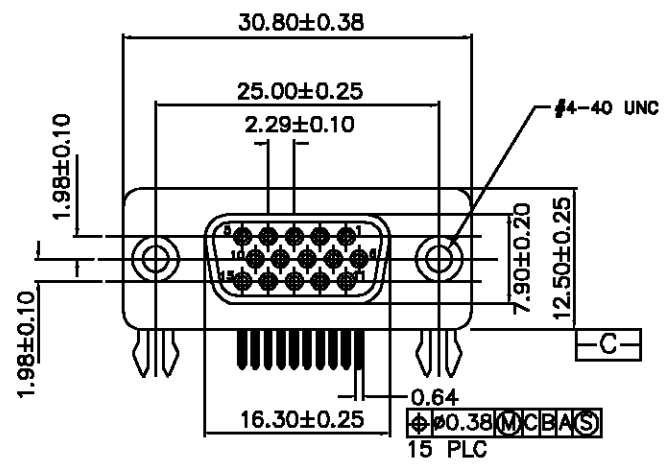


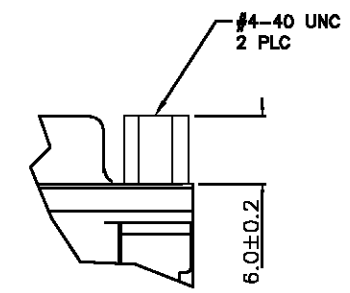
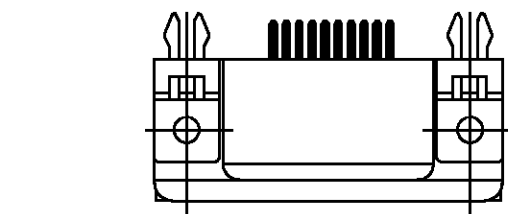
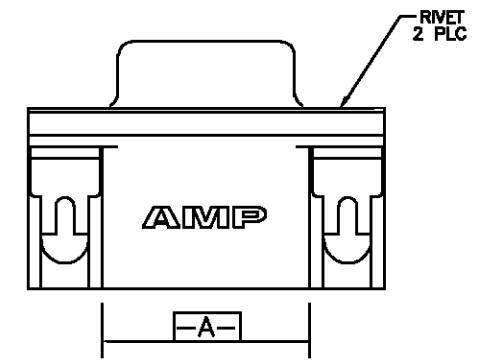
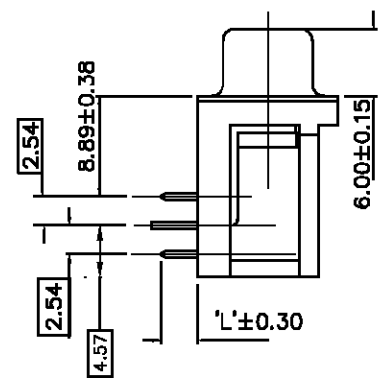
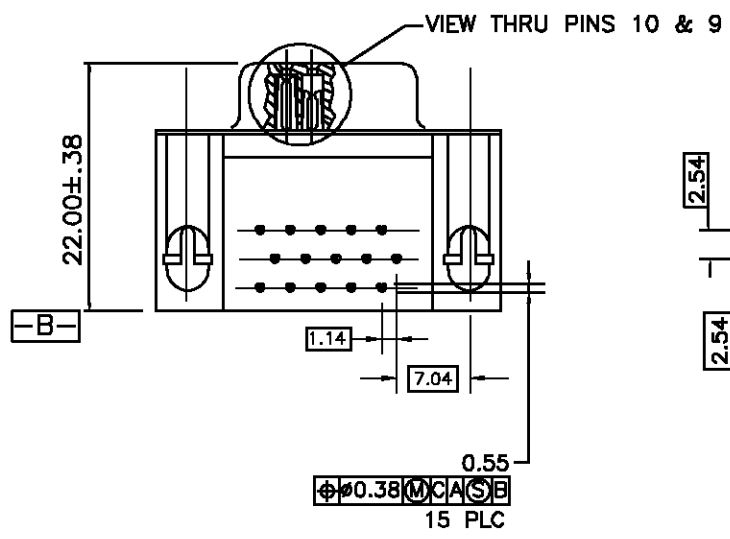
THIS DRAWING IS UNPUBLISHED. RELEASED FOR PUBLICATION
 © COPYRIGHT 19 BY AMP INCORPORATED. ALL RIGHTS RESERVED.

LOC	DIST	REVISIONS			
P	LTR	DESCRIPTION	DATE	DWN	APVD
DW	0	G	REVISED, FZ00-0037-03	10FEB03	AW JC



RECOMMENDED P.C. BOARD LAYOUT

- 1. HOUSING: THERMOPLASTIC, UL 94V-0 RATED, SEE TABLE FOR COLOR.
CONTACTS: PHOPHOR BRONZE OR BRASS.
SHELL: LOW CARBON STEEL.
BOARDLOCKS: BRASS.
RIVET: BRASS.
- 2. CONTACTS: GOLD FLASH ON MATING END OVER 1.27 MICRO METERS MIN NICKEL, 2.54 MICRO METERS MIN TIN-LEAD ON SOLDER TAILS OVER 1.27 MICRO METERS MIN NICKEL.
SHELL: NICKEL.
BOARDLOCK: TIN OR TIN-LEAD OVER NICKEL UNDERPLATE.
- 3. SPECIFICATIONS:
CURRENT RATING: 2 AMPS.
VOLTAGE RATING: 250 VAC.
DIELECTRIC WHITHSTANDING VOLTAGE: 1000 VAC(RMS)
INSULATION RESISTANCE: 1000 MEGOHMS MIN.
CONTACT RESISTANCE: 20 MILLIOHMS MAX.
OPERATING TEMPERATURE: -55° TO 130°C.
- 4. SPECIFICATIONS SUBJECT TO CHANGE WITHOUT NOTICE.
CONTACT AMP FOR THE LATEST SPECIFICATIONS.
- 5. CONTACTS: 0.25 MICRO METERS GOLD ON MATING END OVER 1.27 MICRO METERS MIN NICKEL, 2.54 MICRO METERS MIN TIN-LEAD ON SOLDER TAILS OVER 1.27 MICRO METERS MIN NICKEL.
SHELL: NICKEL.
BOARDLOCK: TIN OR TIN-LEAD OVER NICKEL UNDERPLATE.
- 6. CONTACTS: 0.381 MICRO METERS GOLD ON MATING END OVER 1.27 MICRO METERS MIN NICKEL, 2.54 MICRO METERS MIN TIN-LEAD ON SOLDER TAILS OVER 1.27 MICRO METERS MIN NICKEL.
SHELL: NICKEL.
BOARDLOCK: TIN OR TIN-LEAD OVER NICKEL UNDERPLATE.
- 7. CONTACTS: 0.762 MICRO METERS GOLD ON MATING END OVER 1.27 MICRO METERS MIN NICKEL, 2.54 MICRO METERS MIN TIN-LEAD ON SOLDER TAILS OVER 1.27 MICRO METERS MIN NICKEL.
SHELL: NICKEL.
BOARDLOCK: TIN OR TIN-LEAD OVER NICKEL UNDERPLATE.



DETAIL Z (W/SCREWLOCKS OPTION)

300U BLUE	3.70	TRAY	7	RIVET, THREADED W/O SCREW	2-788624-4
300U BLUE	3.20	TRAY	7	RIVET, THREADED W/O SCREW	2-788624-3
661C BLUE	2.67	TRAY	7	RIVET, THREADED W/O SCREW	2-788624-2
661C BLUE	2.67	TRAY	2	W/FEMALE SCREWLOCKS (DETAIL Z)	1-788624-2
300U BLUE	3.20	TRAY	2	W/FEMALE SCREWLOCKS (DETAIL Z)	1-788624-1
BLACK	2.67	TUBE	6	W/FEMALE SCREWLOCKS (DETAIL Z)	788624-5
300U BLUE	3.20	TUBE	5	RIVET, THREADED W/O SCREW	788624-4
300U BLUE	3.20	TRAY	5	RIVET, THREADED W/O SCREW	788624-3
661C BLUE	2.67	TRAY	2	RIVET, THREADED W/O SCREW	788624-2
300U BLUE	3.20	TRAY	2	RIVET, THREADED W/O SCREW	788624-1
PANTONE COLOR	'L'	PACKAGING	FINISH	FASTENER OPTION	PART NO.

THIS DRAWING IS A CONTROLLED DOCUMENT.

DIMENSIONS: MM	TOLERANCES UNLESS OTHERWISE SPECIFIED:	DWN A. WU 12MAR02	AMP Incorporated IPO RECEPTACLE ASM, SZ 1, 15 POSN, RT ANG FRONT METAL SHELL AMPLIMITE HD-22
0 PLC ± -	1 PLC ± -	CHK J. CHENG 12MAR02	
2 PLC ± 0.13	3 PLC ± -	APVD J. WU 12MAR02	
4 PLC ± -	ANGLES ± 0°30'	NAME	
MATERIAL	FINISH SEE TABLE	PRODUCT SPEC	SIZE CAGE CODE DRAWING NO RESTRICTED TO
		APPLICATION SPEC	A3 00779 C-788624
		WEIGHT -	SCALE 1.5:1 SHEET 1 OF 1 REV G

CUSTOMER DRAWING