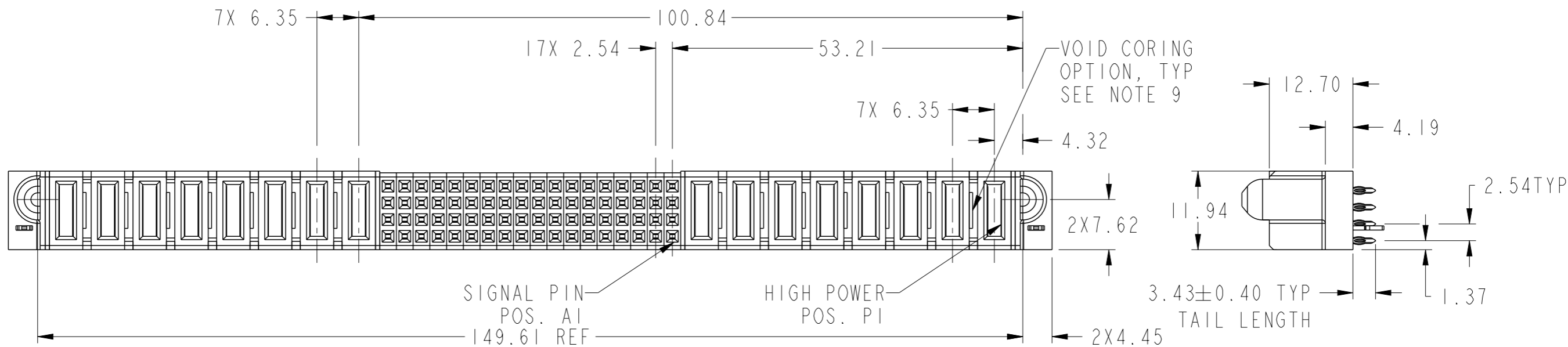
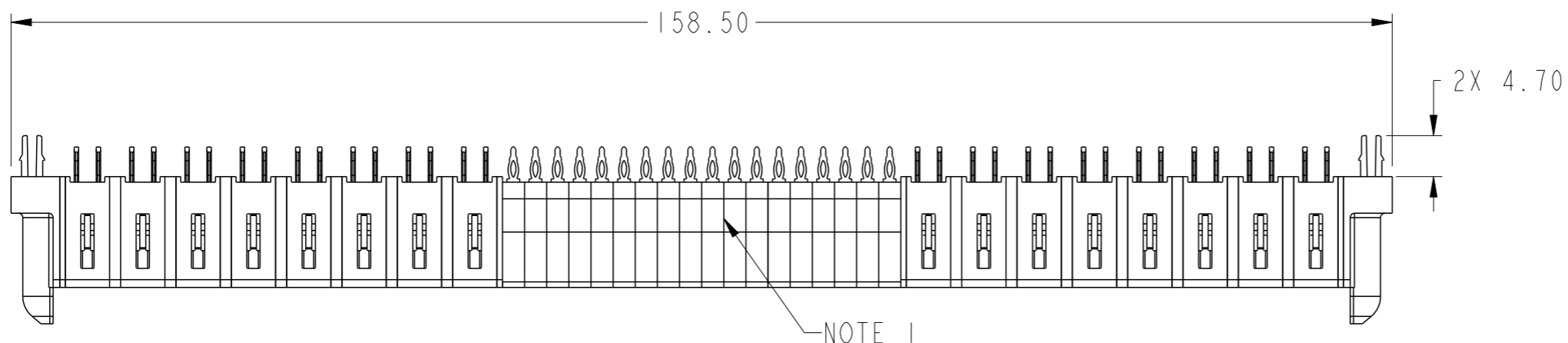
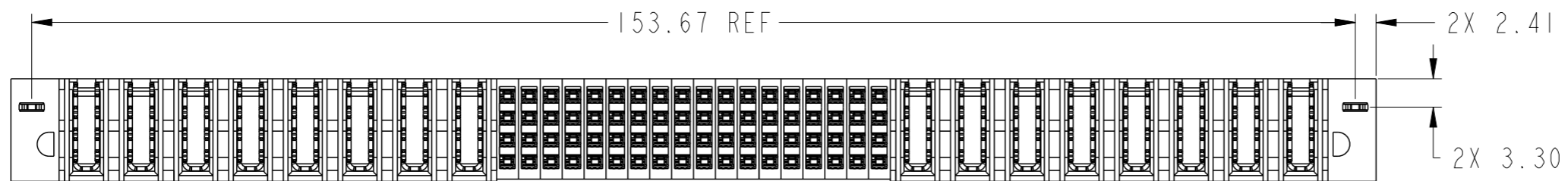


PRODUCT NUMBER SEE SHEET 2

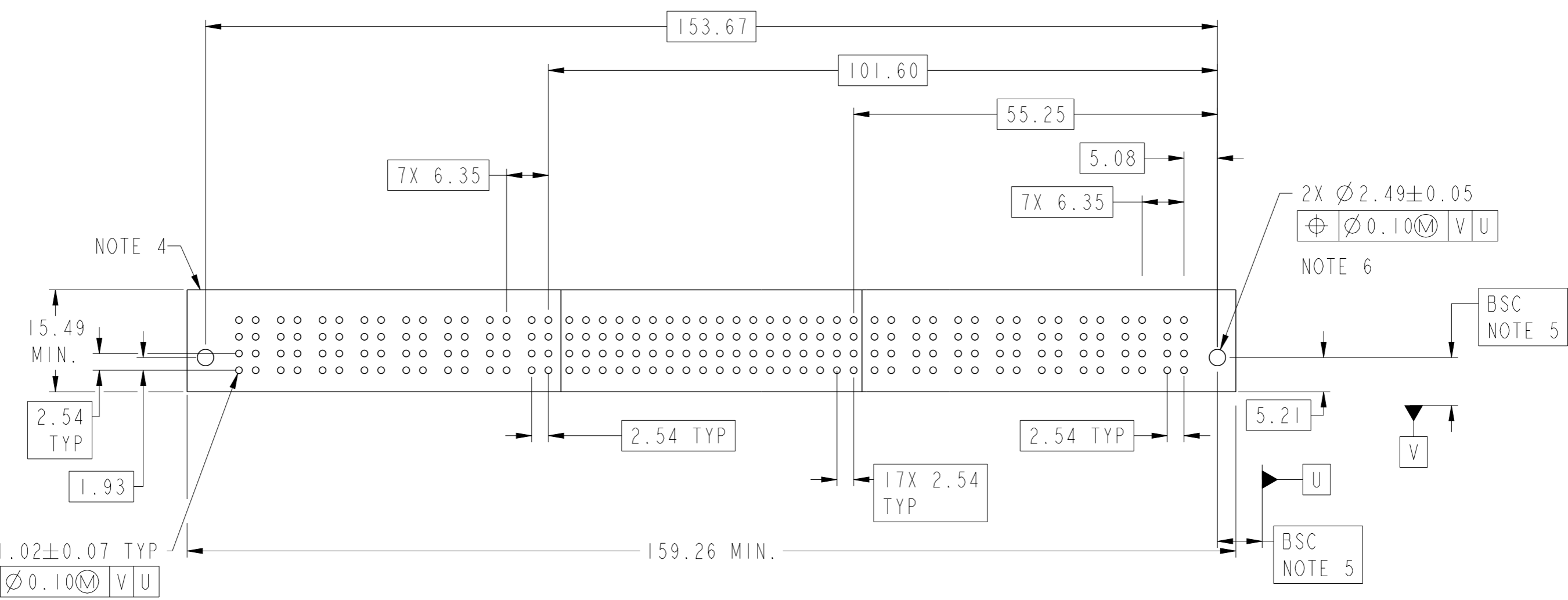


spec ref		dr	Peng-Bing Fu	2013/03/09	projection	MM	size	A3	scale	3:2	
tolerance std ASME Y14.5		TOLERANCES UNLESS OTHERWISE SPECIFIED			eng	Xie Bob	2013/05/20	ecn no		-	
		chr	-		product family		PowerBlade+	rel level		Released	
surface		linear	0.X	±0.50	www.fci.com	cat. no.	8HP + 18S + 8HP VT PF RECEPTACLE	dwg no	10106131-G018001	rev	A
ASME Y14.5			0.XXX	±0.10							



Copyright FCI.

PRODUCT NO.	ROWS	HIGH POWER								SIGNAL																		HIGH POWER								E2				
		E1	P16	P15	P14	P13	P12	P11	P10	P9	18	17	16	15	14	13	12	11	10	9	8	7	6	5	4	3	2	1	P8	P7	P6	P5	P4	P3	P2		P1			
10106131-G018001LF	DCBA	HA	HG	HG	HG	HG	HG	HG	HG	F	F	F	F	F	F	F	F	F	F	F	F	F	F	F	F	F	F	F	F	F	F	HG	HG	HG	HG	HG	HG	HG	HG	HA



NOTE 4

2X Ø2.49±0.05
 ⊕ Ø0.10Ⓜ V U
 NOTE 6

BSC
 NOTE 5

Ø1.02±0.07 TYP
 ⊕ Ø0.10Ⓜ V U
 NOTE 6, 7

BSC
 NOTE 5



Copyright FCI.

CODE	DESCRIPTION
F	STD SIGNAL CONTACT
HA	METAL HOLD DOWN
HG	STD HIGH POWER CONTACT (3.43)

dr	Peng-Bing Fu	2013/03/09	projection	MM	size	A3	scale	3:2	
eng	Xie Bob	2013/05/20			ecn no				
chr	-	-			-				
appr	Pei-Ming Zheng	2013/05/20	product family	PowerBlade+	rel level				
						8HP + 18S + 8HP VT PF RECEPTACLE		dwg no 10106131-G018001	rev A
www.fci.com			cat. no.		Product - Customer Drw			sheet 2 of 3	

A

B

C

D

A

B

C

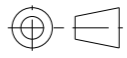
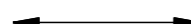

D

NOTES:

- 1) "FCI", PART NUMBER AND DATE CODE TO BE MARKED ON THIS SURFACE.
THE MARK CAN BE OMITTED IF THERE IS NOT ENOUGH SPACE ON THIS SURFACE.
- 2) MATERIALS:
-HOUSING - GLASS FILLED WITH HIGH TEMP THERMOPLASTIC, UL94V-0.
-SIGNAL CONTACT - COPPER ALLOY.
-POWER CONTACT - HIGH CONDUCTIVITY COPPER ALLOY.
- 3) PLATING SPECIFICATION REFER TO FCI 10116351
- 4) DENOTES CONNECTOR KEEP OUT ZONE.
- 5) DATUM AND BASIC DIMENSIONS WERE ESTABLISHED BY CUSTOMER.
- 6) ALL HOLE DIAMETERS ARE FINISHED HOLE SIZES.
- 7) 1.15 ± 0.025 MM DRILLED HOLE PLATED WITH 0.00762MM MIN Sn
OVER 0.0254-0.0762MM Cu PLATING TO ACHIEVE A 1.02 ± 0.07 MM HOLE.
- 8) PRODUCT SPECIFICATION REFER TO FCI GS-12-658.
APPLICATION SPECIFICATION REFER TO FCI GS-20-141.
PRODUCT PACKAGED IN TRAYS, REFER TO FCI GS-14-1502.
- 9) THE VOID CORING IN BETWEEN POWER MODULES, SIGNAL
MODULES AND END MODULES ARE OPTIONAL AND THE SHAPE
MAY BE DIFFERENT FOR OPTIMIZE THE MOLDING PROCESS. THE
VOID CORING WILL NOT EFFECT TO PRODUCT FUNCTION.



Copyright FCI.

dr	Peng-Bing Fu	2013/03/09	projection 	MM 	size	A3	scale	1:1
eng	Xie Bob	2013/05/20			ecn no	-		
chr	-	-			rel level	Released		
appr	Pei-Ming Zheng	2013/05/20	product family	PowerBlade+				
		title 8HP + 18S + 8HP VT PF RECEPTACLE		dwg no 10106131-G018001	rev A			
www.fci.com		cat. no.	Product - Customer Drw		sheet 3 of 3			