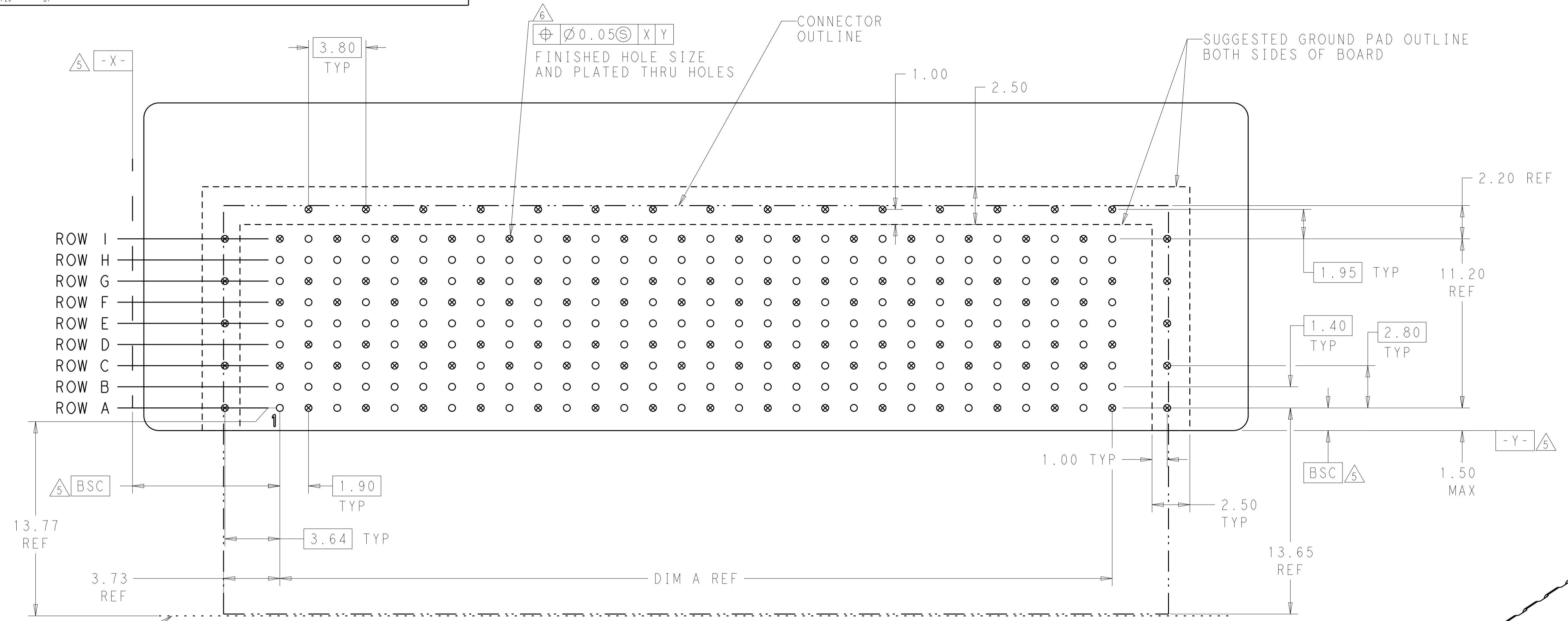


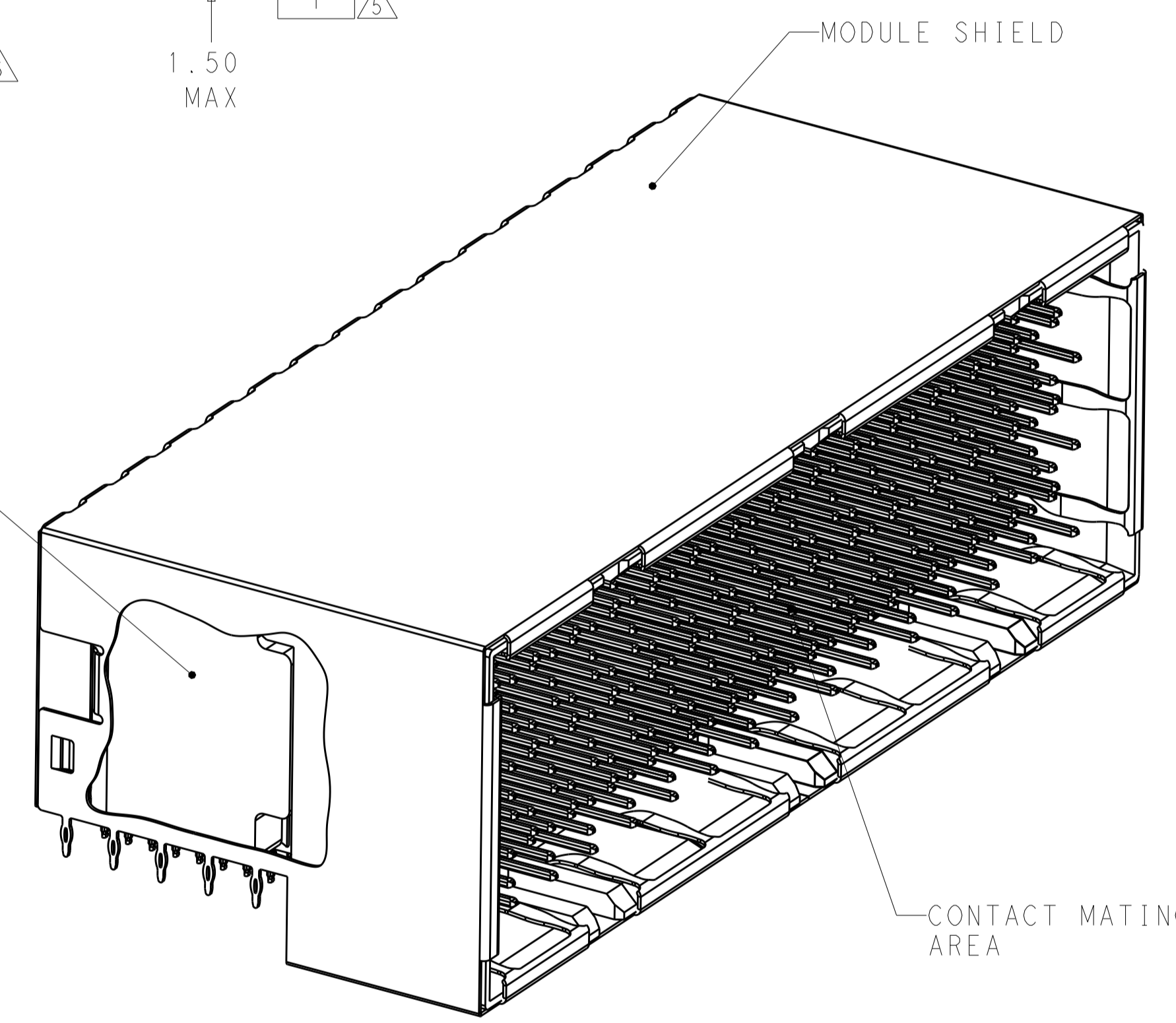
REVISIONS				
P.	LTN.	DESCRIPTION	DATE	APVD.
A		RELEASED PER ECO 17-012487	8-28-17	CT DH



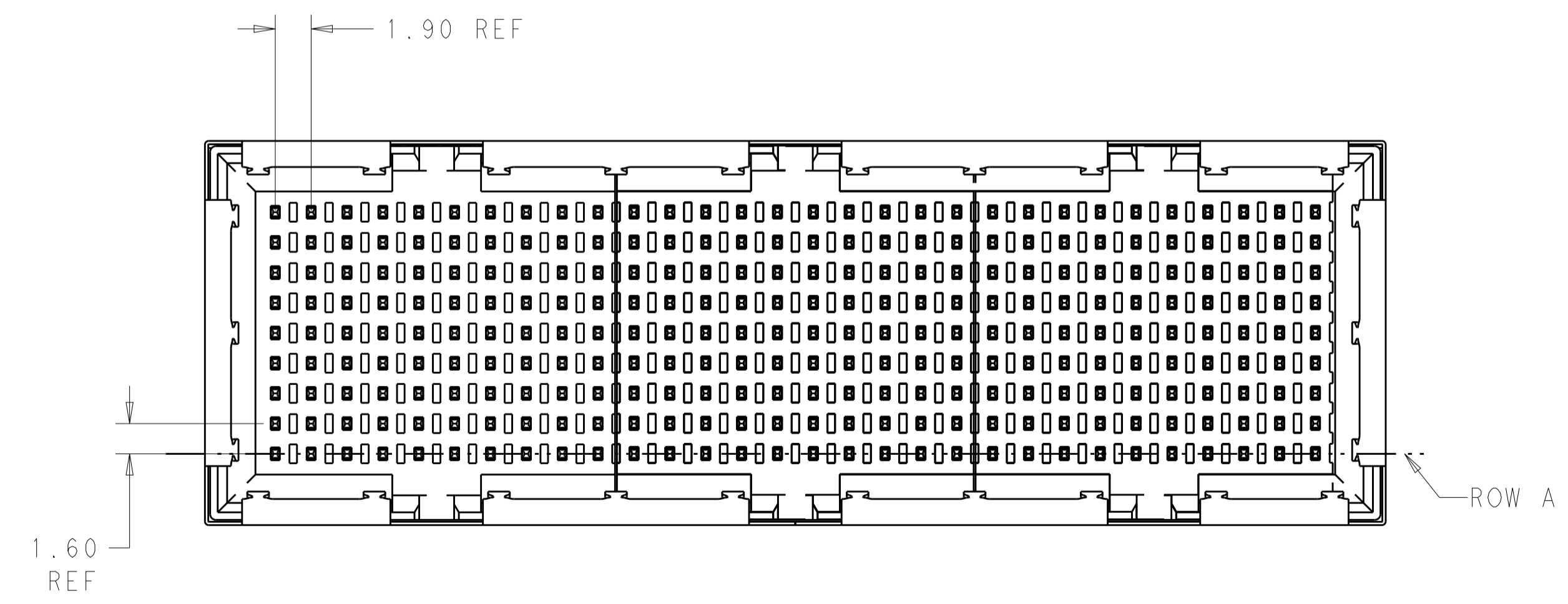
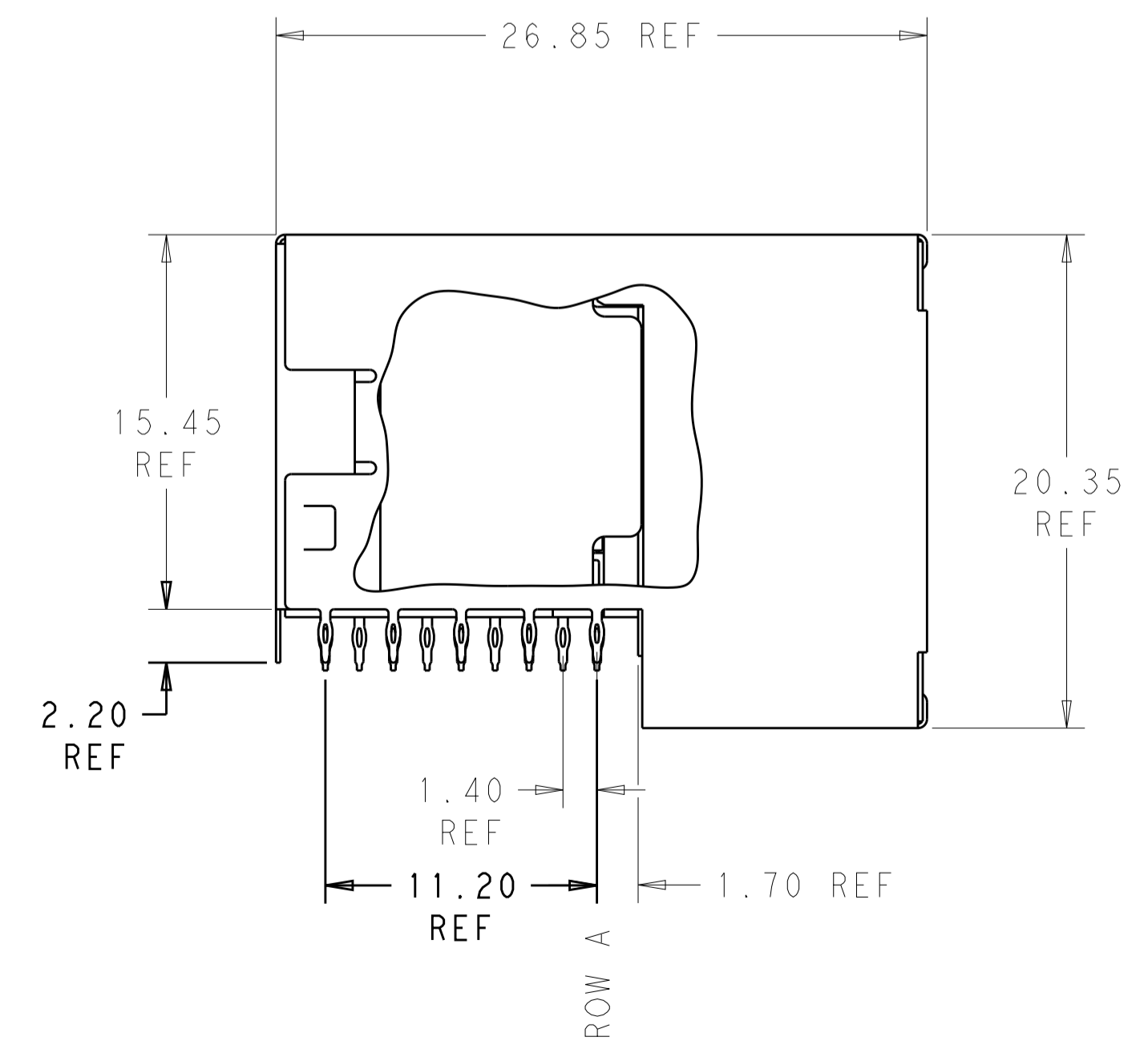
TOP OF MOTHER BOARD

○ = SIGNAL  
 △ = GROUND  
 RECOMMENDED BOARD LAYOUT  
 COMPONENT SIDE SHOWN  
 SCALE 6:1

CHICKLET SHIELD



SCALE 4:1



THIS DRAWING IS A CONTROLLED DOCUMENT.		OWN: D. BELACK 26 JUL 2010	TE Connectivity NAME: Fortis Zd, 3-PAIR, R/A, SHIELDED MODULE ASSEMBLY PRODUCT SPEC: 108-2409 APPLICATION SPEC: 114-13267 WEIGHT: A100779C=2102247	RESTRICTED TO
DIMENSIONS: mm		CHK: A. TSANG 26 JUL 2010		
TOLERANCES UNLESS OTHERWISE SPECIFIED:		APVD: M. McALONIS 26 JUL 2010		
0 PLC ± 1 PLC ±0.13 2 PLC ±0.05 3 PLC ± 4 PLC ± ANGLES ±2°		SIZE: CAGE CODE: DRAWING NO: 114-13267		
MATERIAL: △		FINISH: -	CUSTOMER DRAWING	SCALE: 4:1 SHEET 1 OF 2 REV A

THIS DRAWING IS UNPUBLISHED. RELEASED FOR PUBLICATION 20  
 © COPYRIGHT 20 BY - ALL RIGHTS RESERVED.

REVISIONS				
P.	LTN	DESCRIPTION	DATE	APPV
-	-	SEE SHEET 1	-	-


△ MATERIAL:  
 CONTACT AND CHICKLET SHIELD: PHOSPHOR BRONZE  
 HOUSING AND CHICKLET: BLACK LCP  
 HOUSING SHIELD: NICKEL SILVER PER UNS C77000  
 ADHESIVE: 3M™ BONDING FILM 615S

△ FINISH:  
 CONTACT MATING AREA: 1.27µm MIN GOLD OVER  
                                   1.27µm MIN NICKEL  
 CHICKLET SHIELD: 1.27µm MIN NICKEL  
 COMPLIANT PIN AREA: 0.5µm MIN 93/7 SnPb OVER  
                                   1.27µm MIN NICKEL

△ FINISH:  
 CONTACT MATING AREA: 1.27µm MIN GOLD OVER  
                                   1.27µm MIN NICKEL  
 CHICKLET SHIELD: 1.27µm MIN NICKEL  
 COMPLIANT PIN AREA: 0.5µm MIN Sn OVER  
                                   1.27µm MIN NICKEL

- △ DIMENSION APPLIES TO CENTERLINE OF THRU HOLE.
- △ DATUMS AND BASIC DIMENSIONS ESTABLISHED BY CUSTOMER.
- △ REFERENCE APPLICATION SPEC 114-13267 FOR RECOMMENDED PLATED THRU HOLE DIAMETER AND PLATING THICKNESS.
- △ ALL GROUNDS IN ODD NUMBERED COLUMNS ARE COMMONED.  
 ALL GROUNDS IN EVEN NUMBERED COLUMNS, EXCEPT FOR ROW A ARE COMMONED.

91.2	119.55	112.10	△3	60 COLUMN	180	2-2102247-6
76.5	100.55	93.10	△3	50 COLUMN	150	2-2102247-5
61.9	81.55	74.10	△3	40 COLUMN	120	2-2102247-4
47.2	62.55	55.10	△3	30 COLUMN	90	2-2102247-3
32.6	43.55	36.10	△3	20 COLUMN	60	2-2102247-2
17.9	24.55	17.10	△3	10 COLUMN	30	2-2102247-1
91.2	119.55	112.10	△2	60 COLUMN	180	2102247-6
76.5	100.55	93.10	△2	50 COLUMN	150	2102247-5
61.9	81.55	74.10	△2	40 COLUMN	120	2102247-4
47.2	62.55	55.10	△2	30 COLUMN	90	2102247-3
32.6	43.55	36.10	△2	20 COLUMN	60	2102247-2
17.9	24.55	17.10	△2	10 COLUMN	30	2102247-1
WEIGHT(g)	DIM "B"	DIM "A"	COMPLIANT PIN PLATING	DESCRIPTION	DIFF PAIRS	PART NUMBER

THIS DRAWING IS A CONTROLLED DOCUMENT.		OWN: D. BELACK 26 JUL 2010	
DIMENSIONS: mm		CHK: A. TSANG 26 JUL 2010	
TOLERANCES UNLESS OTHERWISE SPECIFIED:		APPV: M. McALONIS 26 JUL 2010	
0 PLC ± 1 PLC ±0.13 2 PLC ±0.05 3 PLC ± 4 PLC ± ANGLES ±2° FINISH -		NAME: Fortis Zd, 3-PAIR, R/A, SHIELDED MODULE ASSEMBLY PRODUCT SPEC: 108-2409 APPLICATION SPEC: 114-13267 WEIGHT: - CUSTOMER DRAWING	
SIZE: A1 CAGE CODE: 00779 DRAWING NO: 2102247 SCALE: 4:1 SHEET: 2 OF 2 REV: A		RESTRICTED TO	