

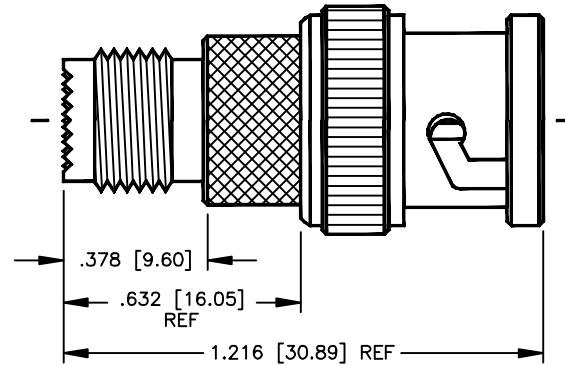
SPECIFICATION CONTROL DRAWING

THIS DRAWING CONTAINS INFORMATION PROPRIETARY TO RF INDUSTRIES, LTD. ANY UNAUTHORIZED USE OF THIS DRAWING IS EXPRESSLY PROHIBITED. ANY VIOLATION IS PUNISHABLE UNDER U.S. COPYRIGHT LAWS.

REV	DESCRIPTION	DWN	DATE	APPROVED
A	ENGINEERING RELEASE	CZS	7/10/98	R. RICE

ALL DIMENSIONS ARE REFERENCE ONLY

000360



SPECIFICATIONS:

IMPEDANCE: 50 OHMS
 WORKING VOLTAGE: 335 VRMS @ SEA LEVEL
 FREQUENCY RANGE: 0-2.5 GHz

DIMENSIONS ARE IN INCHES AND [MILLIMETERS]
 UNLESS OTHERWISE NOTED TOLERANCES ARE:
 DECIMALS DIAMETER

RFconnectors
 DIVISION OF RF INDUSTRIES, LTD.

7610 MIRAMAR RD
 SAN DIEGO, CA 92126
 (619)549-6340
 (619)549-6345 FAX

RFU-627

MINI UHF FEMALE TO BNC MALE ADAPTER

ITEM	DESCRIPTION	QTY	MATERIAL	FINISH	APPROVALS	DATE
8	SHELL	1	BRASS	NICKEL		
7	SPRING	1	SK-5	NICKEL		
6	WASHER	1	BRASS	NICKEL		
5	WASHER	1	BRASS	NICKEL		
4	DIELECTRIC	1	PTFE	NONE		
3	DIELECTRIC	1	PTFE	NONE		
2	CONTACT	1	BRASS	GOLD		
1	BODY	1	BRASS	NICKEL		

DRAWN	C. ZUNIGA	7/10/98
CHECKED		
ORJ DRAWN	C. ZUNIGA	7/10/98
APPROVALS		

SIZE	CABLE GROUP	DWG NO.	REV
A	N/A	8934	A
SCALE:	2:1	CAD FILE	13ARC B
			SHEET 1 OF 1