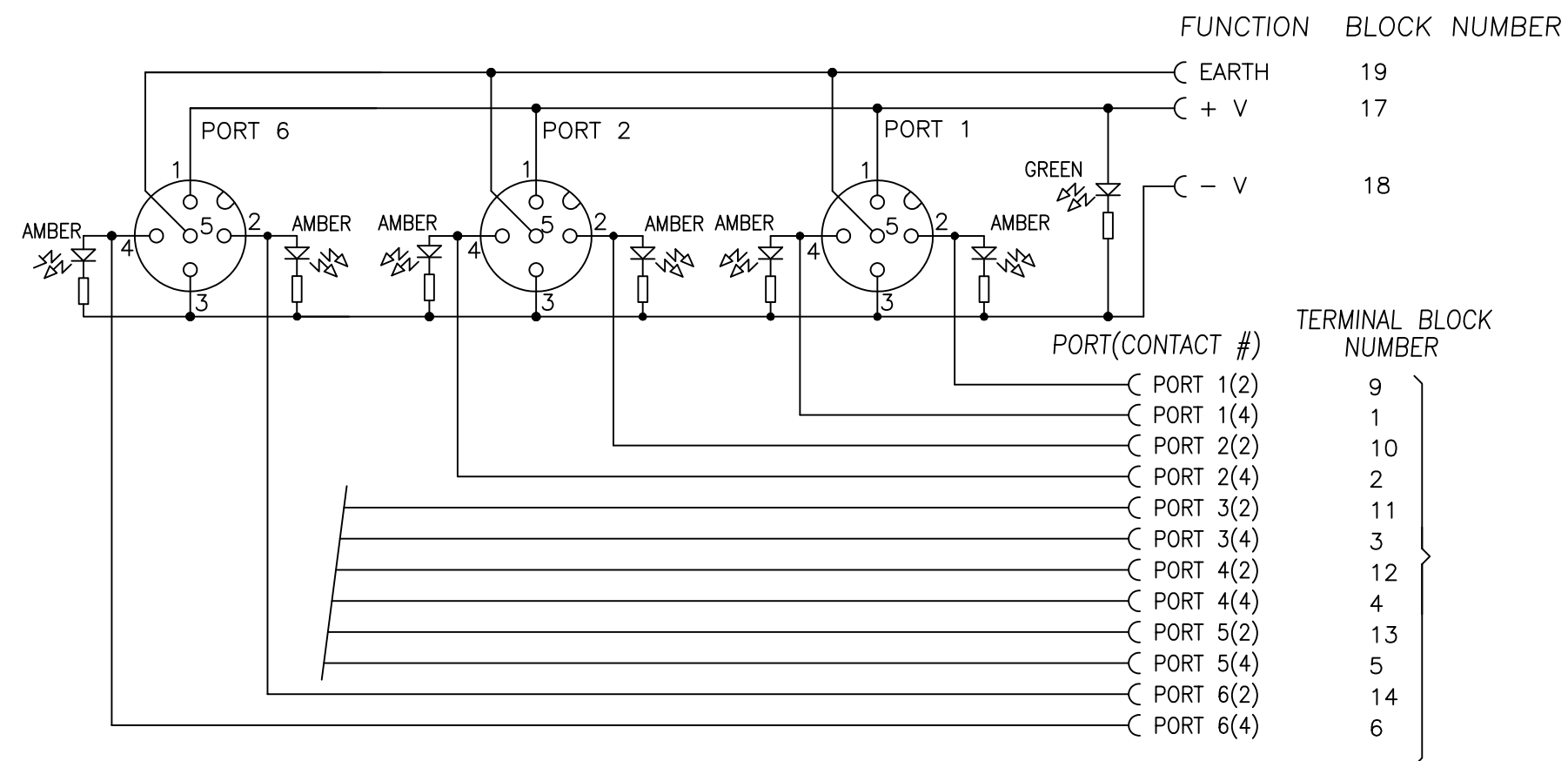


MATERIAL NUMBER	OLD PART NUMBER	FINISHED LENGTH
1201140056	BTY603P-FBA	-

VOLTAGE RATING	10-30 VDC
AMPERAGE RATING PER PORT	4 AMPS
PROTECTION	IP67
OPERATING TEMPERATURE	-20°C TO 90°C
UL CERTIFICATIONS	UL RECOGNIZED, FILE NO. E46237
CSA CERTIFICATIONS	CSA CERTIFIED, FILE NO. LR6837

ITEM	COMPONENT	MATERIAL	FINISH
1	CONTACT SOCKET	COPPER ALLOY	GOLD OVER NICKEL
2	O-RING	VITON	RED
3	RECEPTACLE SHELL	BRASS	NICKEL PLATED
4	HOUSING	PBT	YELLOW
5	LABEL	ABS	WHITE
6	LENS	NYLON	CLEAR



DESCRIPTION EC NO: WEU2010-0445 DRWN: LSTEMMLE 2010/03/19 CHKD: NSTAUDIG APPR: NSTAUDIG 2010/03/23	QUALITY SYMBOLS ▽ = 0 ∇ = 0	GENERAL TOLERANCES (UNLESS SPECIFIED)		DIMENSION STYLE MM ONLY		SCALE 2:1	DESIGN UNITS METRIC	FIRST ANGLE PROJECTION	
		mm	INCH	DRAWN BY LSTEMMLE	DATE 2010/03/19	MICRO-CHANGE MPIS 6 PORT PNP TWIN PORT 5P FIELD ATTACHABLE			
4 PLACES ±---	±---	CHECKED BY FP	DATE 2010/03/22	MOLEX INCORPORATED					
3 PLACES ±---	±---	APPROVED BY NSTAUDIG	DATE 2010/03/22					DOCUMENT NO. SD-120114-066	
2 PLACES ±---	±.01	MATERIAL NO.		THIS DRAWING CONTAINS INFORMATION THAT IS PROPRIETARY TO MOLEX INCORPORATED AND SHOULD NOT BE USED WITHOUT WRITTEN PERMISSION					
1 PLACE ±0.3	±---	SEE TABLE							
DRAFT WHERE APPLICABLE MUST REMAIN WITHIN DIMENSIONS		SIZE A2							