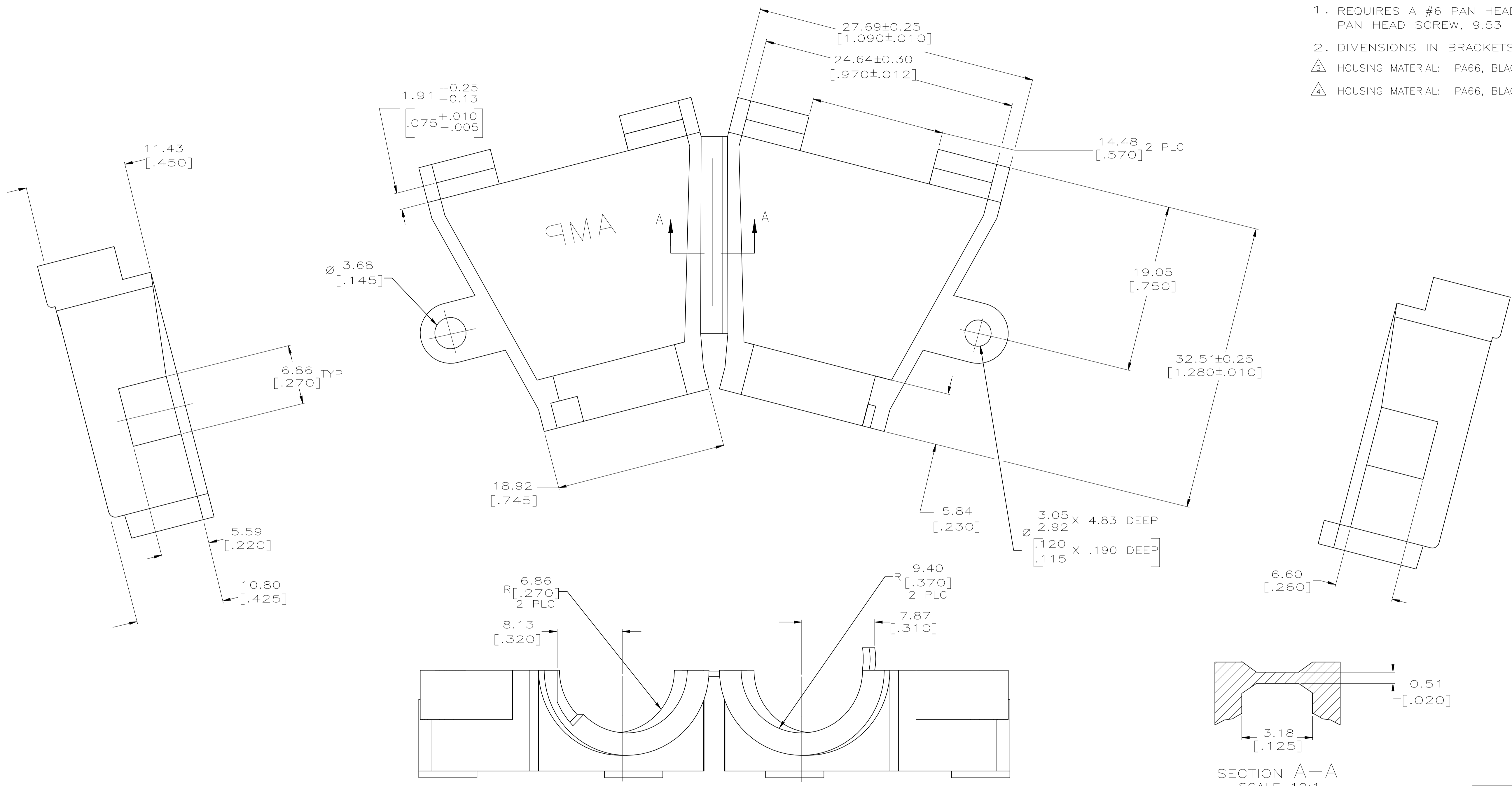
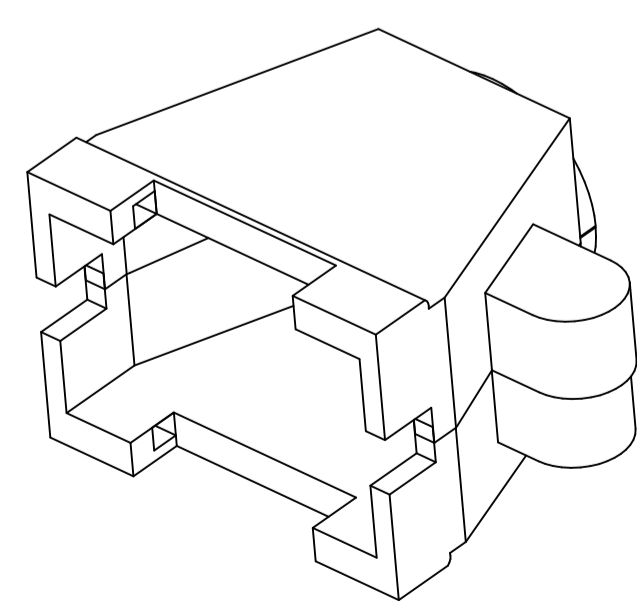


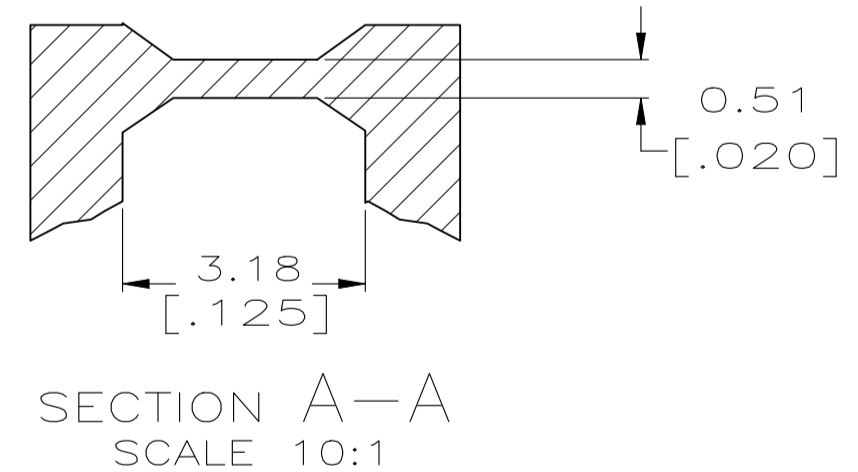
REVISIONS				
REV	DESCRIPTION	DATE	BY	APP'D
L	ECO-21-006919	14DEC2021	RK	MZ



- REQUIRES A #6 PAN HEAD TYPE "B" SELF TAPPING PAN HEAD SCREW, 9.53 [.375] LONG.
 - DIMENSIONS IN BRACKETS ARE IN INCHES.
- △ HOUSING MATERIAL: PA66, BLACK, UL 94 V-0 RATED
- △ HOUSING MATERIAL: PA66, BLACK, UL 94 V-2 RATED



3-DIMENSIONAL MODEL NTS



SECTION A-A
SCALE 10:1

△ 4	1-480634-9
△ 3	480634-1
MATERIAL	PART NO

THIS DRAWING IS A CONTROLLED DOCUMENT.		DIN K SALMON 2-10-95	RESTRICTED TO
DIMENSIONS: mm [INCHES]		CHK R SWING 2-10-95	NAME
TOLERANCES UNLESS OTHERWISE SPECIFIED:		W LONG 2-10-95	PRODUCT SPEC
0 PLC ± -	1 PLC ± -	APPLICATION SPEC	SIZE
2 PLC ± ± 0.13[.005]	3 PLC ± ± -	WEIGHT	CAGE CODE
4 PLC ± ± -	ANGLES ± ± -	FINISH	DRAWING NO
MATERIAL SEE TABLE	FINISH -	WEIGHT -	A1 00779 C=480634
CUSTOMER DRAWING		SCALE 4:1	SHEET 1 OF 1 REV