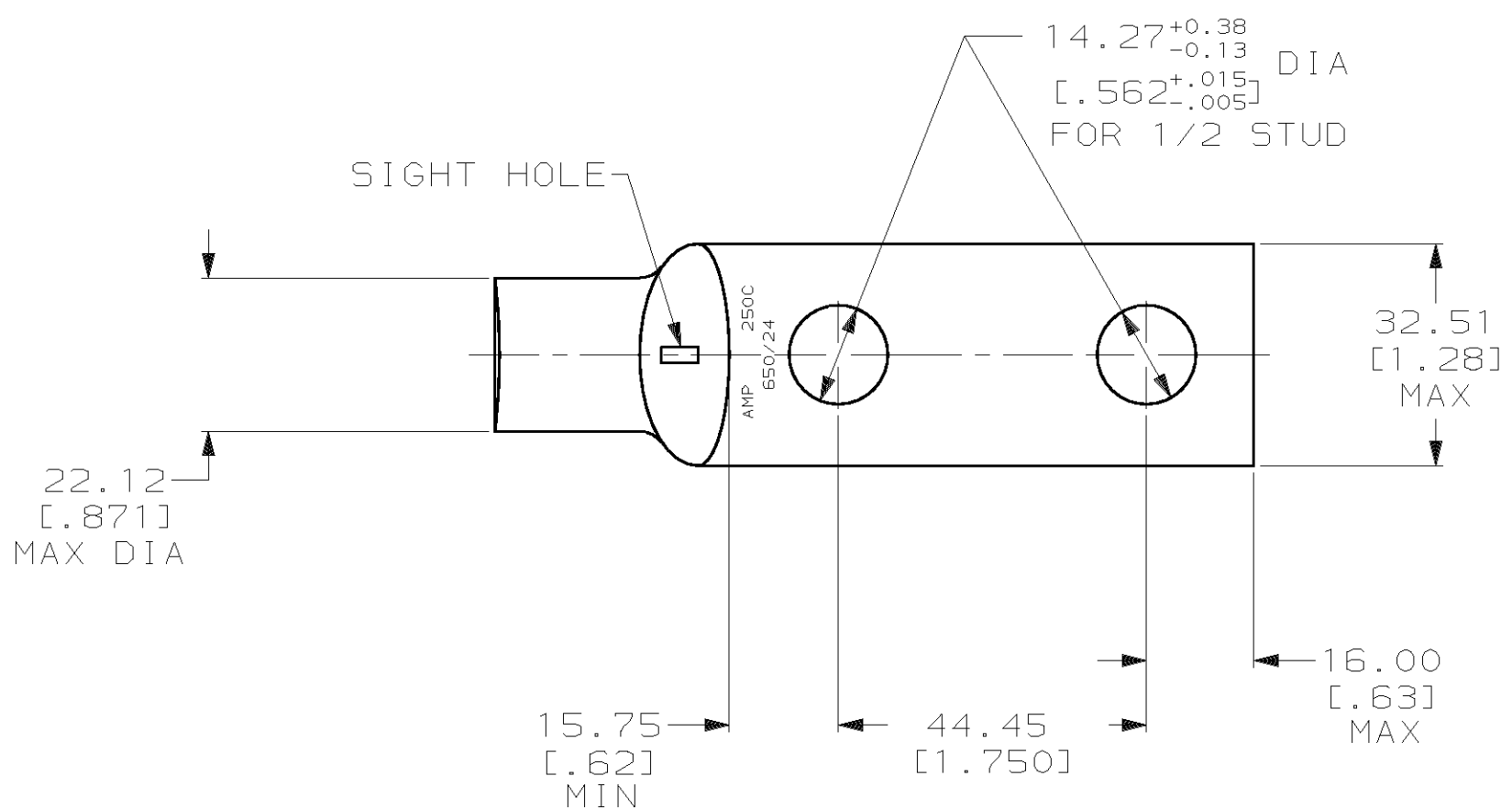
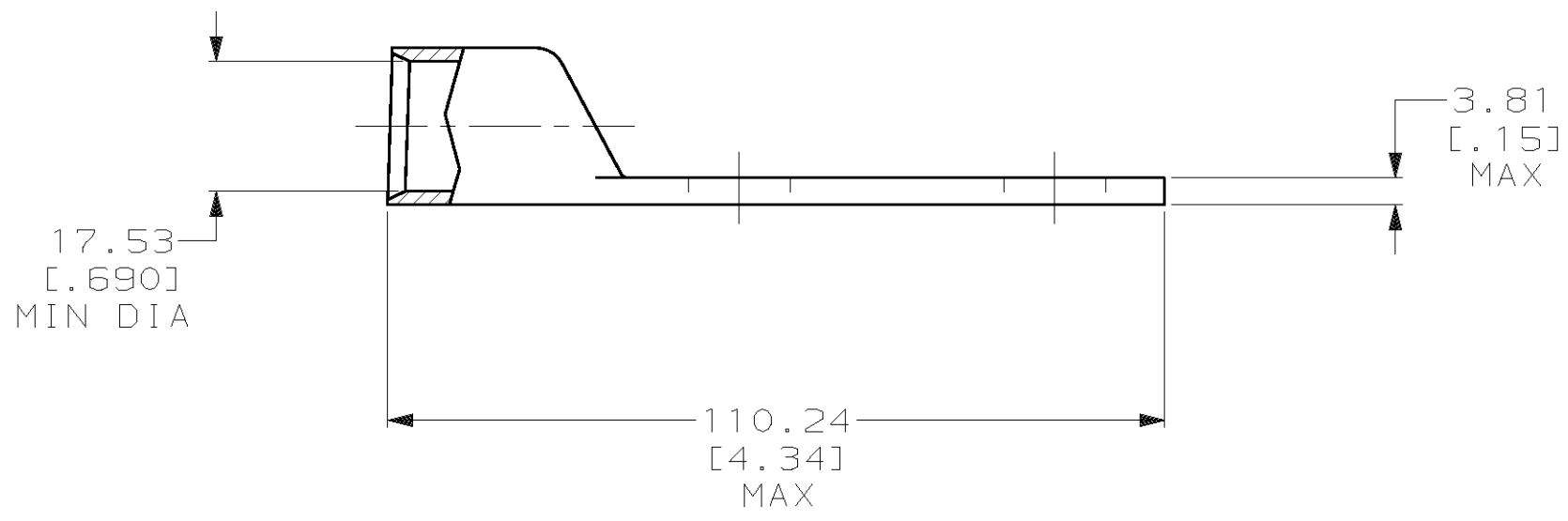


THIS DRAWING IS UNPUBLISHED. RELEASED FOR PUBLICATION ,19 .
 © COPYRIGHT 19 BY AMP INCORPORATED. ALL INTERNATIONAL RIGHTS RESERVED.

LOC		DIST		REVISIONS				DATE	APPD
ZONE	LTR	DESCRIPTION		DATE	APPD				
G	86	P	F	M	REV PER 0G3A-0561-01	090CT02	JR/MS		



- 1 CIRCULAR MIL AREA RANGE: 231-275 MCM
- 2 TIN PL 0.00381 [.000150] MIN THK PER ASTM B545
- 3 CLEANED, UNPLATED
- 4 PREPRODUCTION - FASR REQ



3	4	327285-2
2		327285
FINISH		PART NO

DO NOT SCALE PRINT. UNLESS SPECIFIED DIMENSIONS IN mm [INCHES] TOLERANCES ON : 2 PLC DEC ± 0.51 [.020] 3 PLC DEC ± - ANGLES ± -		DR 02/28/90 DK SCHRUM		AMP INCORPORATED Harrisburg, Pa. 17105	
MATERIAL ANNEALED COPPER ASTM B-75		CHK 20JAN95 MS FEHER			
FINISH SEE TABLE		APPD 20JAN95 WJ VOCKROTH		NAME TERMINAL, AMPPOWER™ WIRE SIZE: 250 MCM	
WEIGHT .201 LB		APPD 20JAN95 TL SHUTTER		DRAWING NO 327285	
		PRODUCT SPEC 108-30200		CAGE CODE 00779	
		APPLICATION SPEC -		SCALE 1:1	
				SHEET 1 OF 1	

