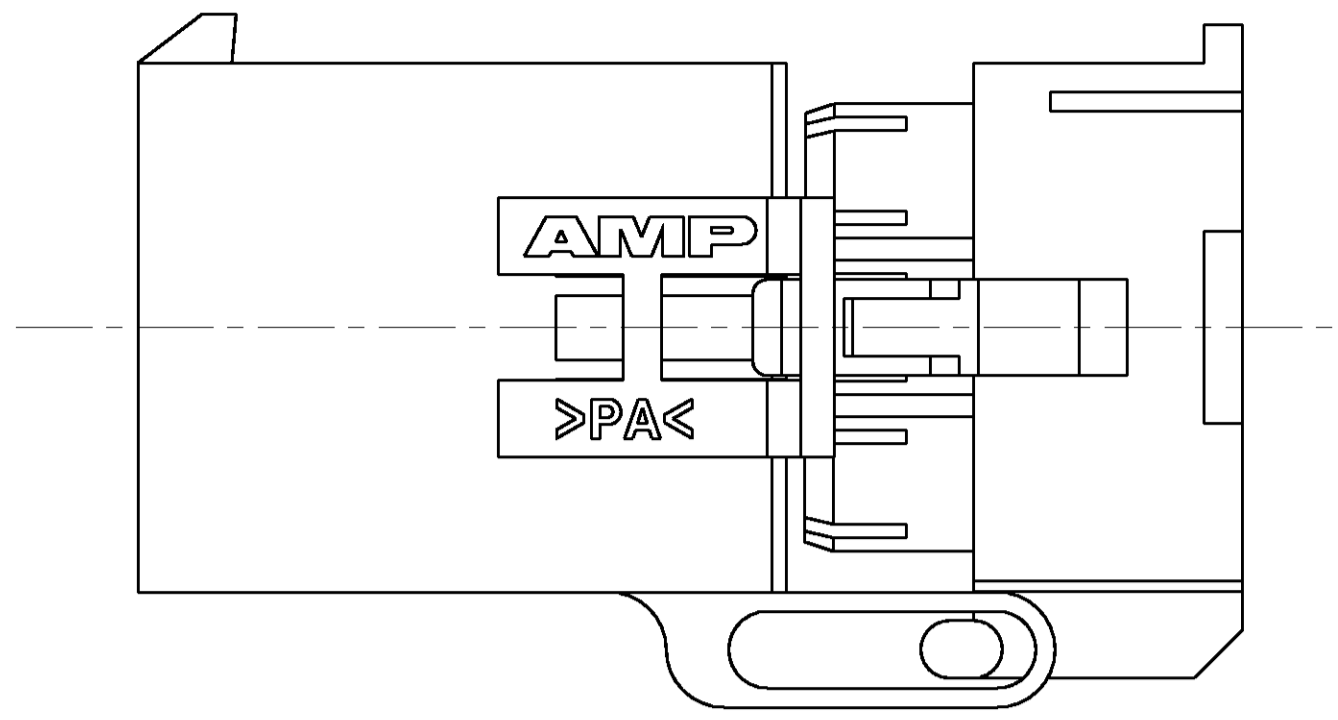
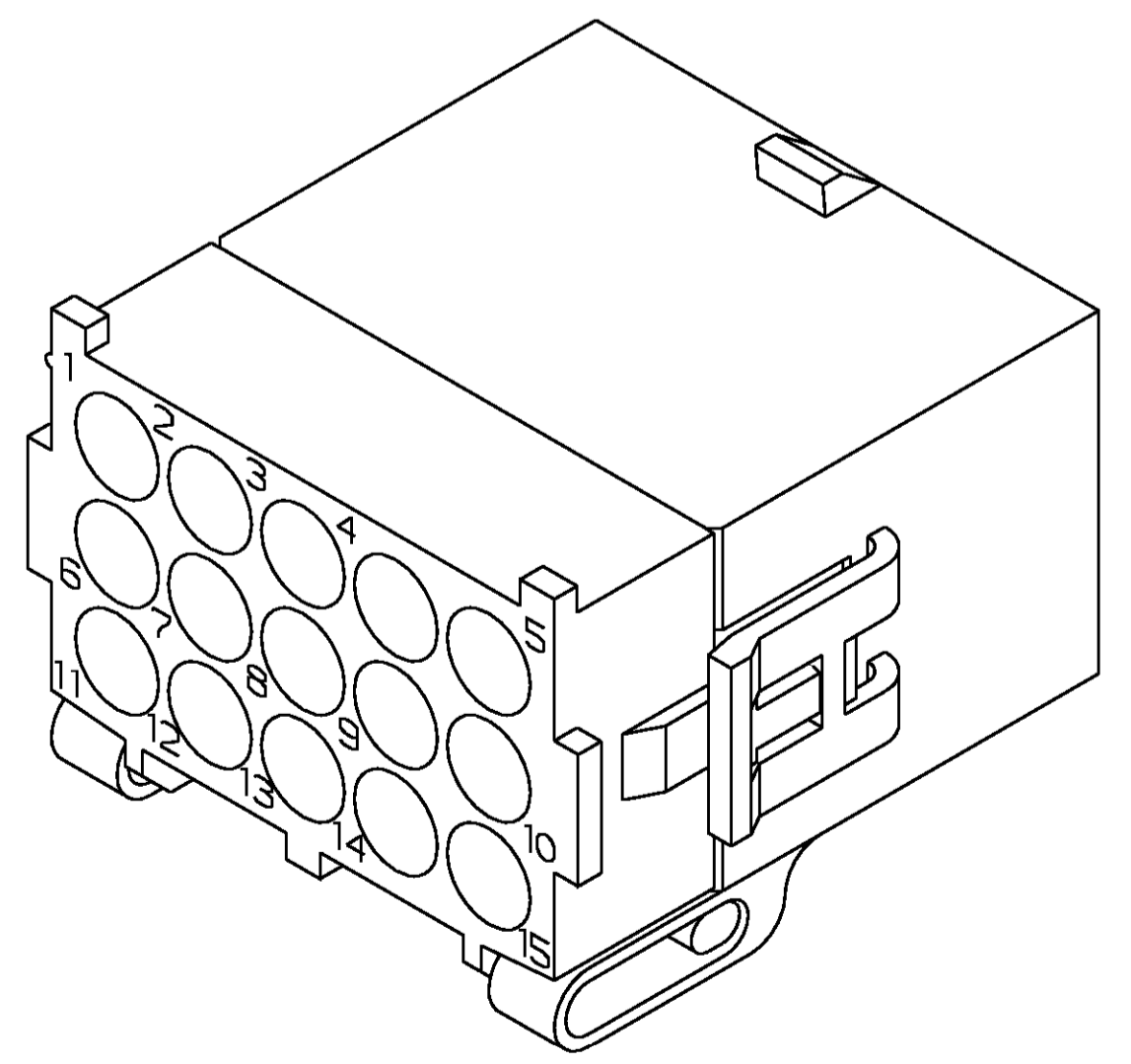
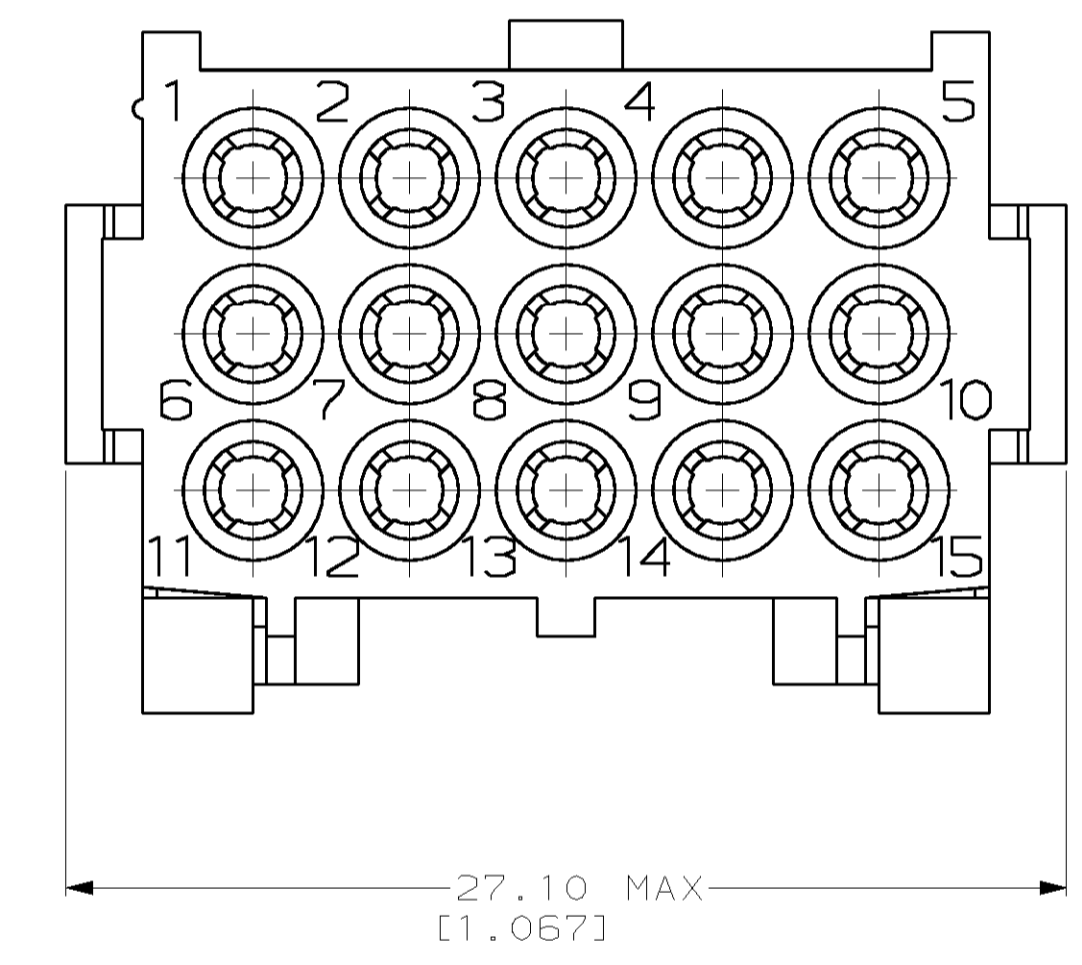
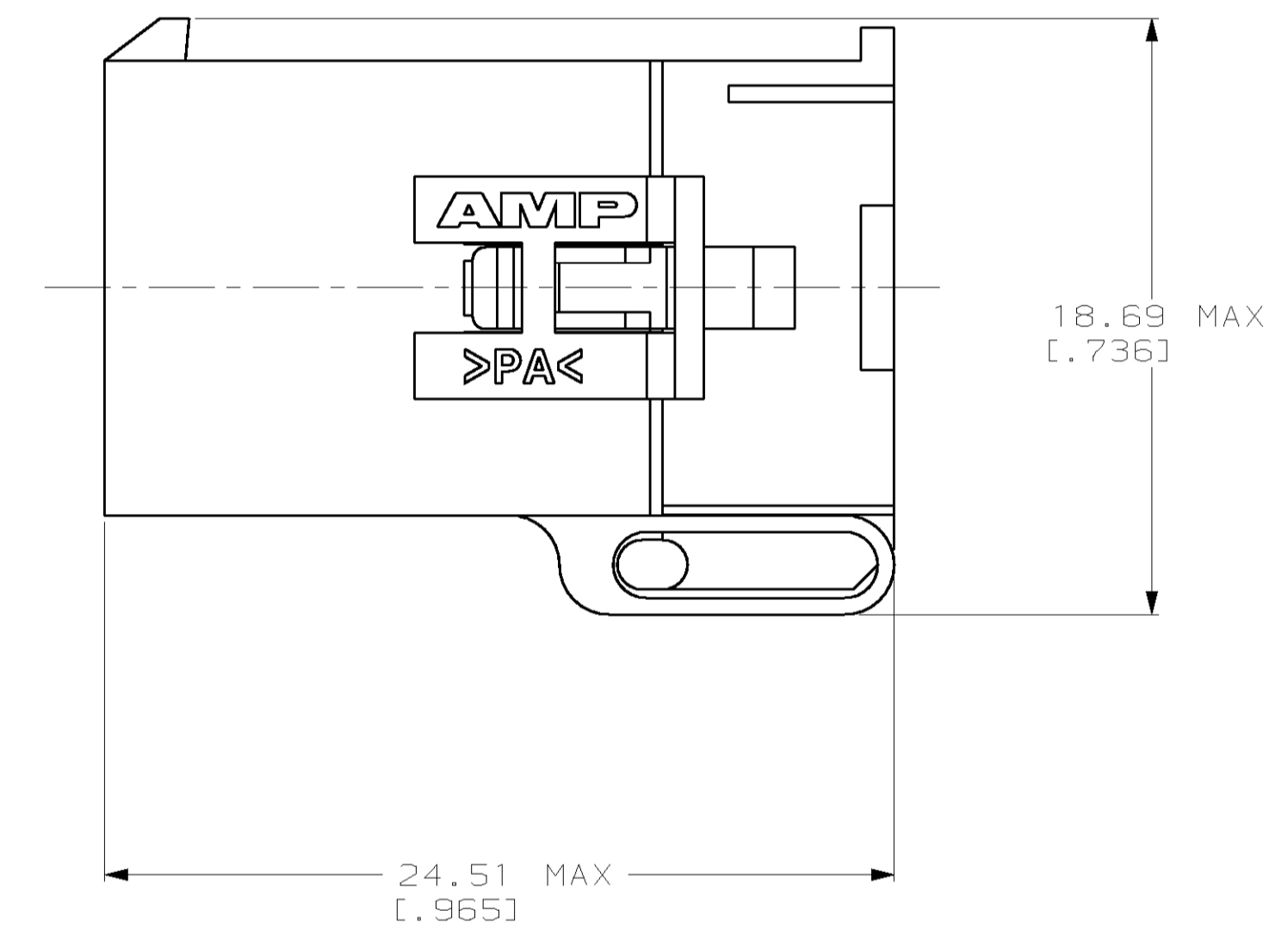
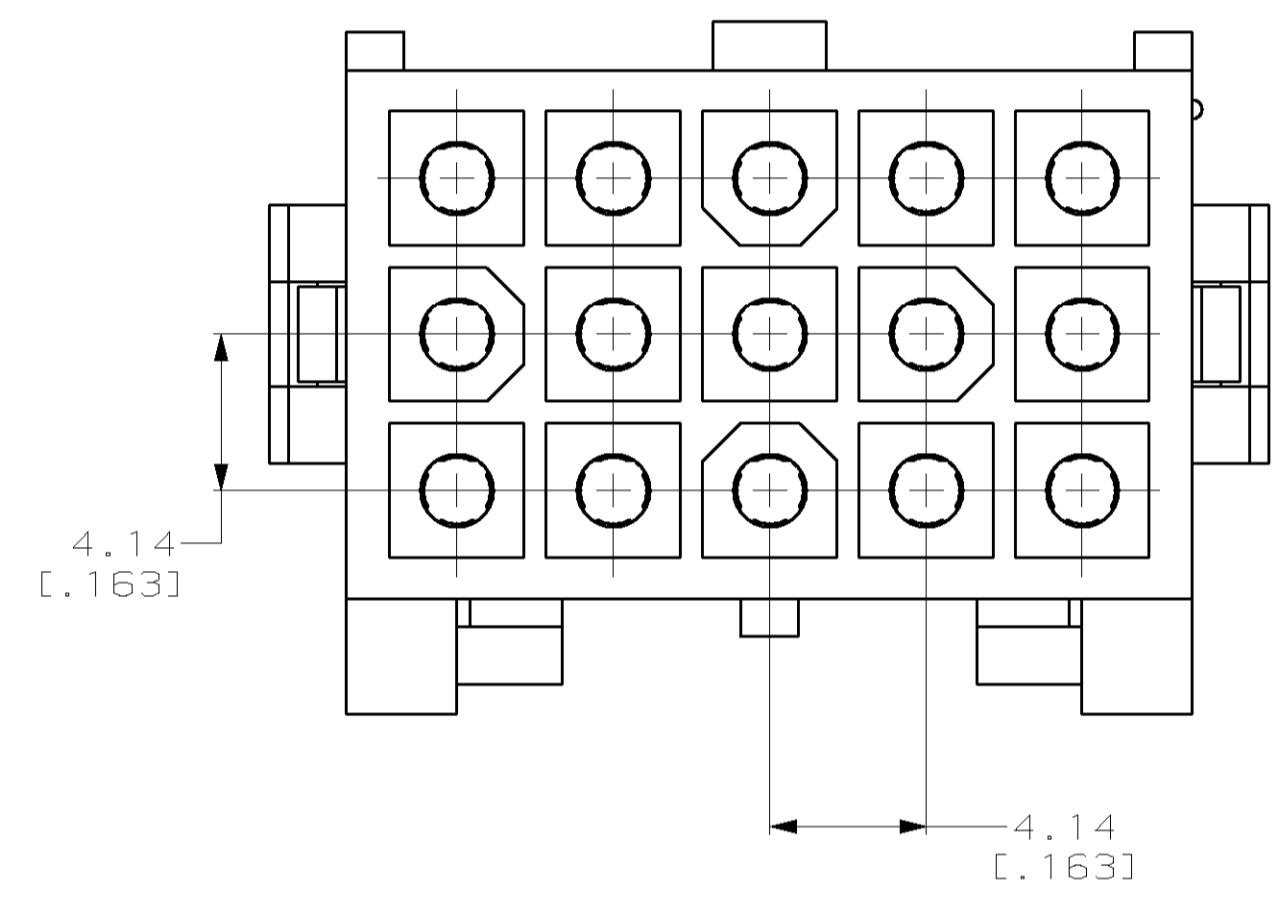


LOC		DIST		REVISIONS			
F	CHR	DATE	BY	CHK	APVD		
B		23-SEP-99	KW	KC			



PRE-STAGED CONDITION

1. DIMENSIONS IN BRACKETS ARE IN INCHES.



3-DIMENSIONAL MODEL
NTS

794258-1
PART NUMBER



THIS DRAWING IS A CONTROLLED DOCUMENT.		DWN K. WHITAKER	5-16-97	AMP Incorporated Harrisburg, PA 17105-3608
DIMENSIONS:		CHK R. SWING	5-16-97	
TOLERANCES UNLESS OTHERWISE SPECIFIED:		APVD R. ORSTAD	5-16-97	
0 PLC ± 1 PLC ± 2 PLC ±0.13 [0.005] 3 PLC ± 4 PLC ± ANGLES ± 40° 30'		NAME	CAP, 15 CIRCUIT, MINI UNIVERSAL MATE-N-LOK™ 2	
MATERIAL NYLON, UL 94V-2, NATURAL	FINISH -	PRODUCT SPEC	APPLICATION SPEC	RESTRICTED TO
CUSTOMER DRAWING		SIZE A1	CAGE CODE 00779	DRAWING NO 794258
SCALE 5:1		SHEET 1 OF 1		REV B