



Mallory Sonalert Products, Inc.

Part #:

JT028-R-CD

Sales Outline Drawing

Revision:

C

Specifications:

Stack Number:	1			
LED Color:	RED			
Connection Wires:	Red and Brown			
LED Current Draw:	<50 mA			
Rated Voltage:	24 VAC/DC			
Operating Voltage:	20-28 VAC/DC			
Total Max Current:	<50mA			
Operating Temperature:	-25° ~ +60°C			
Lens Color:	Opaque White			
Material:	ABS FR15U			
Mounting Method:	Direct Mount using 1/2" NPT Stainless Steel Pipe and Nut			
Weight Typical (g):	160			
NEMA 12:	Approved			
Options:	Please contact factory.			

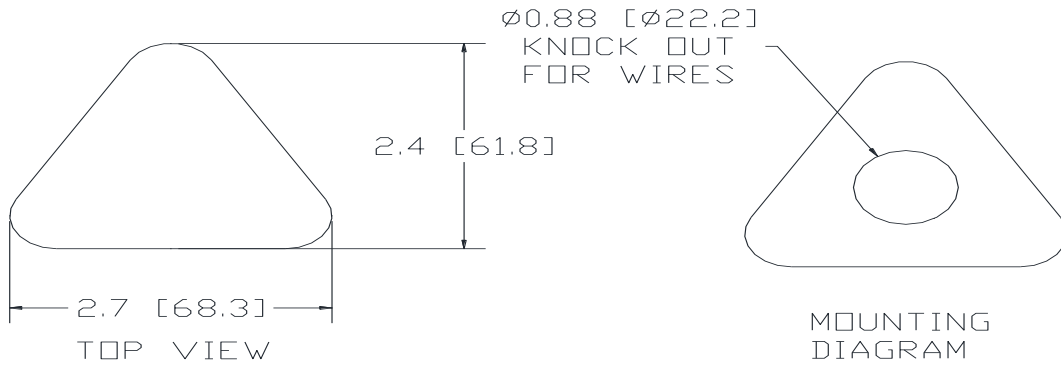
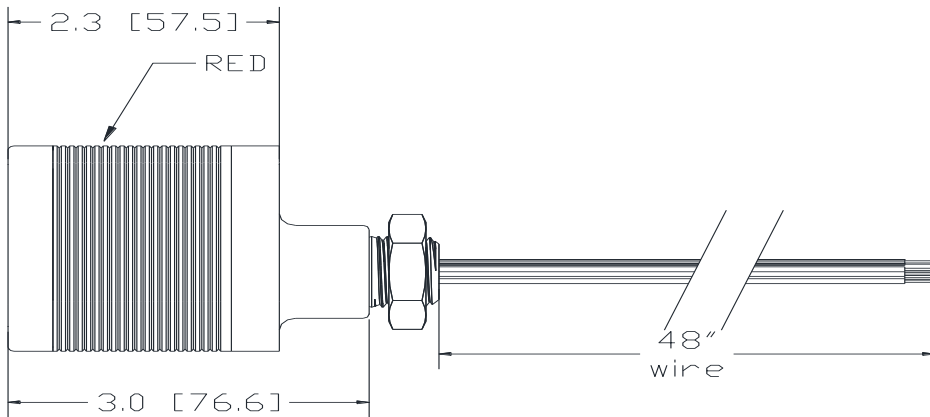
Dimensions:

Inches (mm)

cUL Recognized

ROHS Compliant

PATENT NUMBER D898600



LED OPERATION: CONNECT STACK COLOR WIRE TO POWER AND BROWN WIRE TO POWER.