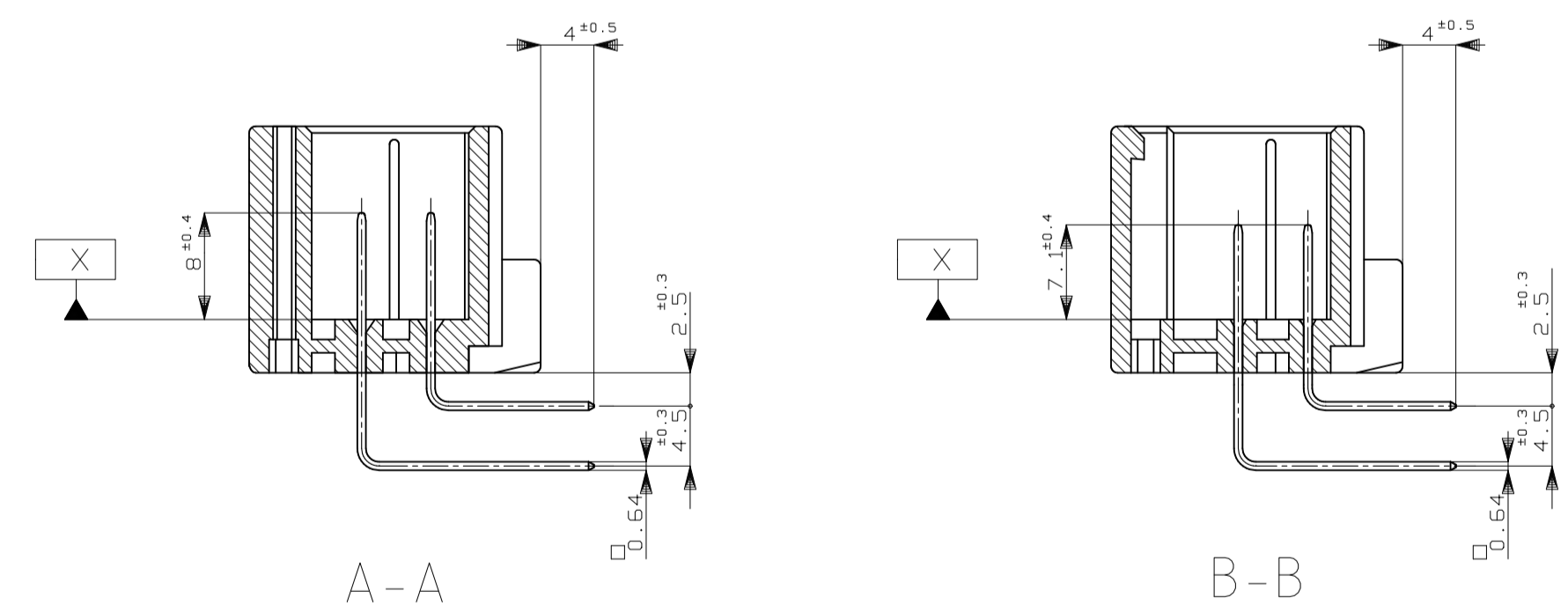
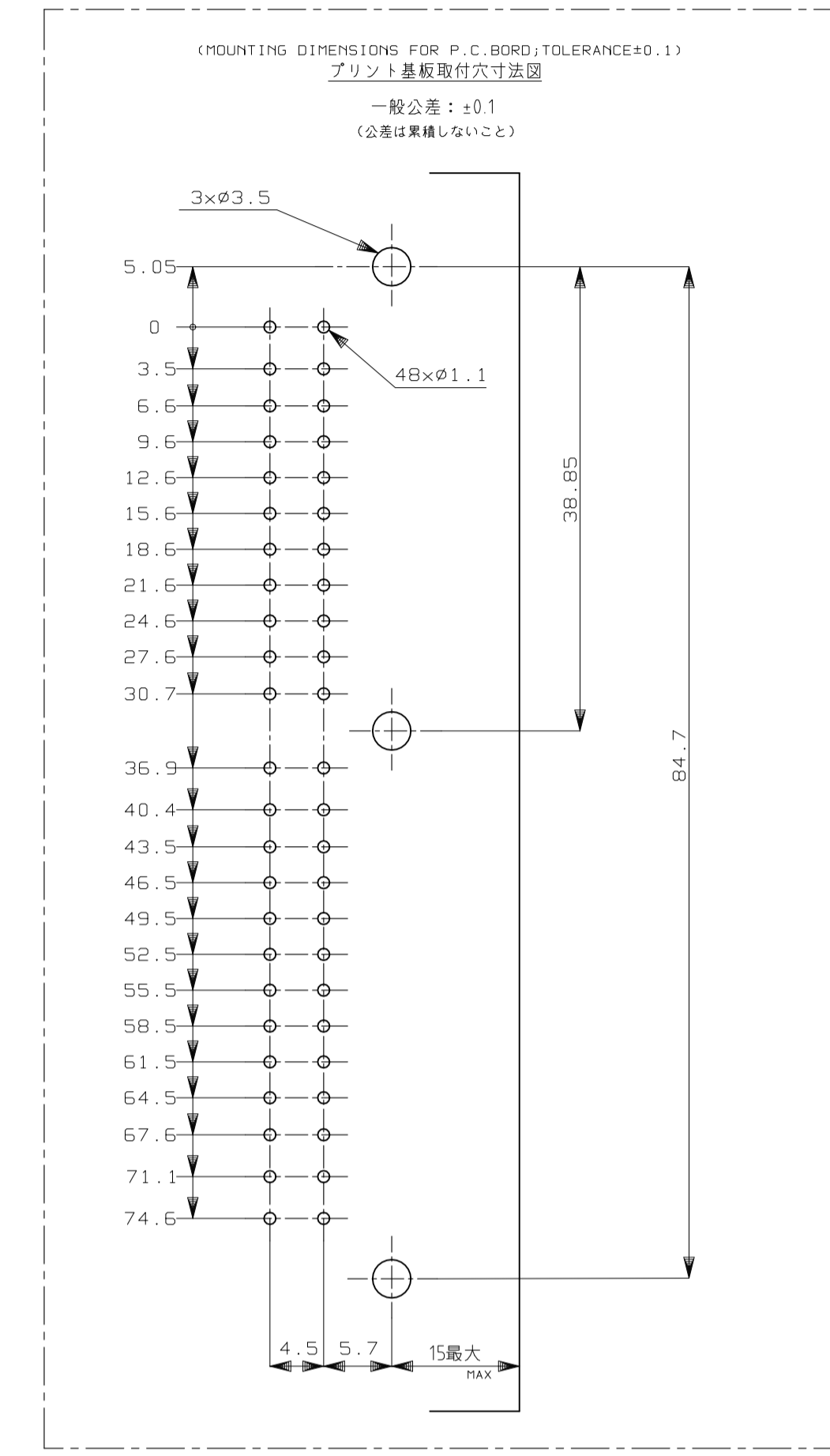
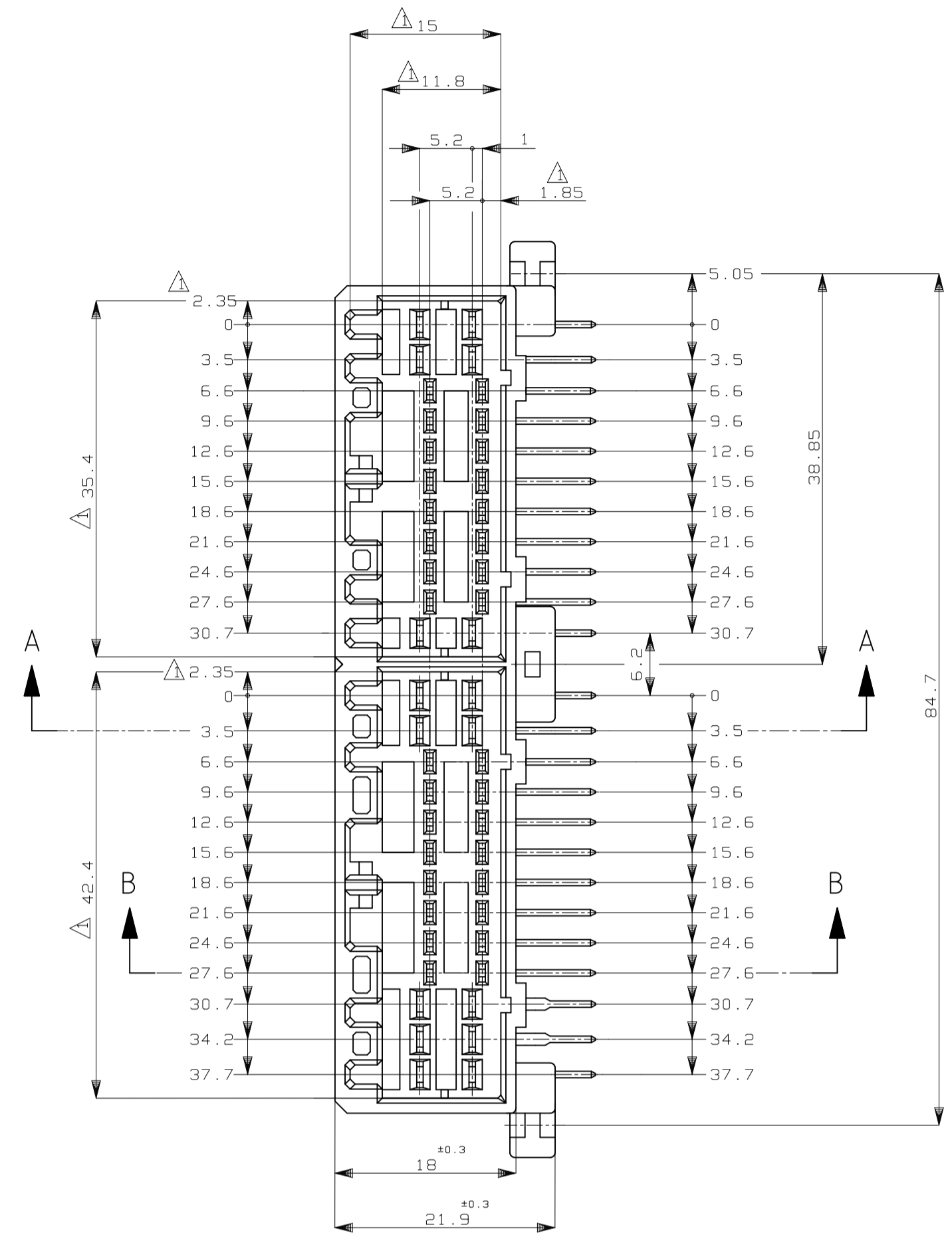
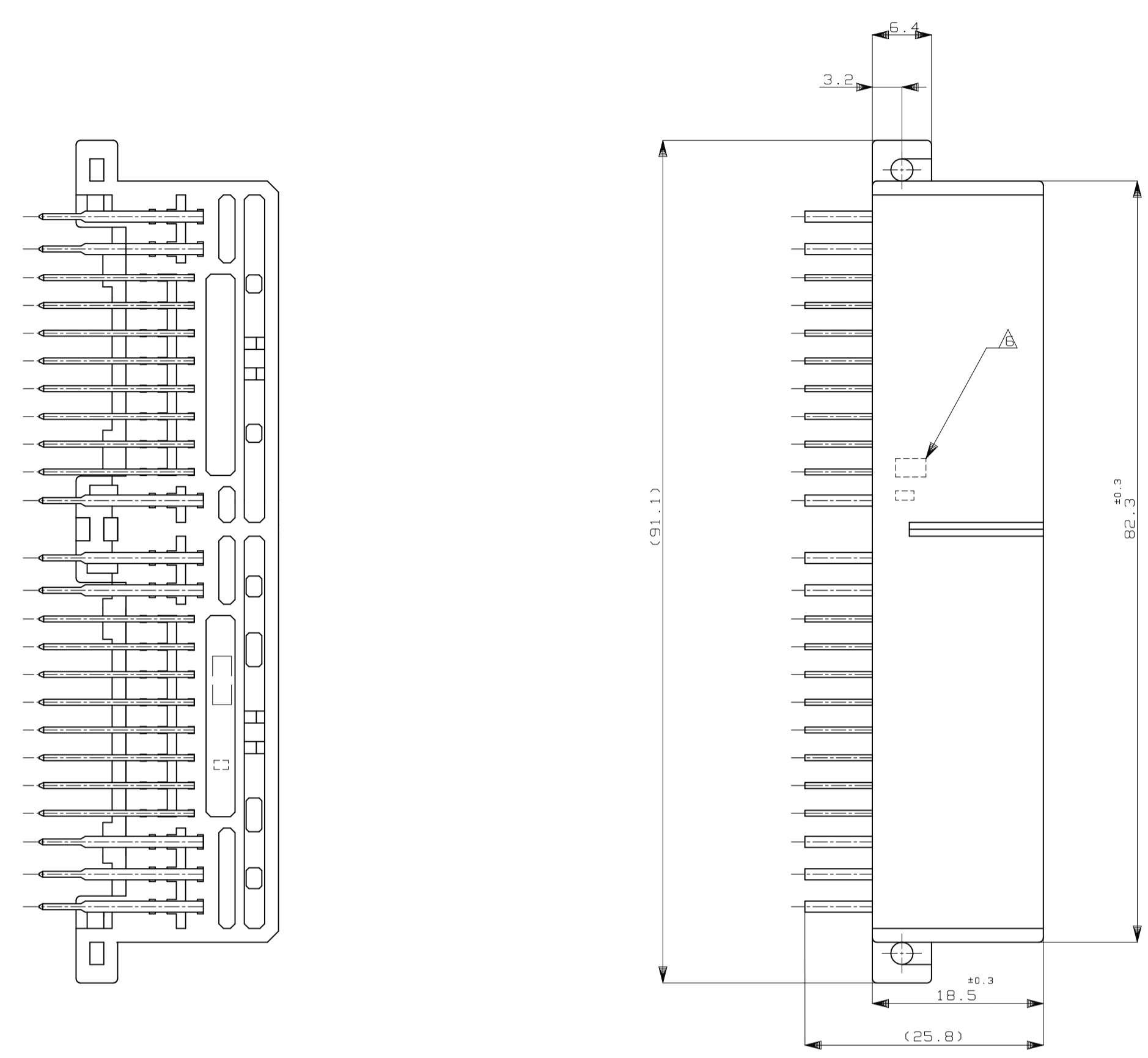
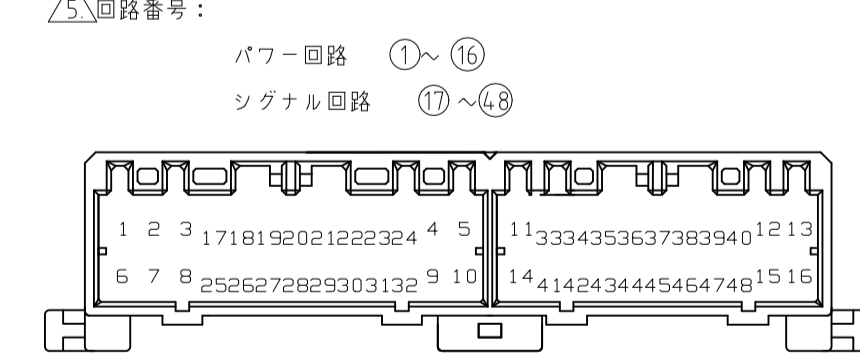


REVISIONS					
REV	DATE	DESCRIPTION	BY	CHK	APPV
M8	05SEP2016	REVISION ECR-16-003276	KF	HY	
M9	24NOV2022	REVISION PER ECR-22-154022	RK	MT	



- 1. 面から2mmの範囲で測定
- 2. 嵌合相手ハジング型 174515, 174516, 917989, 917992
- 3. 推奨取付ねじ: JIS B1115, B1112 タッピンねじ, なべ2種
呼び径3, 長さ6mm以下 (締付けトルク: 39N・cm (4kgf・cm) 以下)
- 4. 適用製品規格番号: 108-5280, 108-5342



- 5. 回路番号:
パワー回路 ①~⑱
シグナル回路 ⑳~㉿
- 6. ①~⑱: ①~⑱
⑳~㉿: ⑳~㉿
- 7. ①~⑱: ①~⑱
⑳~㉿: ⑳~㉿
- 8. ①~⑱: ①~⑱
⑳~㉿: ⑳~㉿
- 9. ①~⑱: ①~⑱
⑳~㉿: ⑳~㉿
- 10. ①~⑱: ①~⑱
⑳~㉿: ⑳~㉿
- 11. ①~⑱: ①~⑱
⑳~㉿: ⑳~㉿
- 12. ①~⑱: ①~⑱
⑳~㉿: ⑳~㉿
- 13. ①~⑱: ①~⑱
⑳~㉿: ⑳~㉿
- 14. ①~⑱: ①~⑱
⑳~㉿: ⑳~㉿
- 15. ①~⑱: ①~⑱
⑳~㉿: ⑳~㉿
- 16. ①~⑱: ①~⑱
⑳~㉿: ⑳~㉿
- 17. ①~⑱: ①~⑱
⑳~㉿: ⑳~㉿
- 18. ①~⑱: ①~⑱
⑳~㉿: ⑳~㉿
- 19. ①~⑱: ①~⑱
⑳~㉿: ⑳~㉿
- 20. ①~⑱: ①~⑱
⑳~㉿: ⑳~㉿
- 21. ①~⑱: ①~⑱
⑳~㉿: ⑳~㉿
- 22. ①~⑱: ①~⑱
⑳~㉿: ⑳~㉿
- 23. ①~⑱: ①~⑱
⑳~㉿: ⑳~㉿
- 24. ①~⑱: ①~⑱
⑳~㉿: ⑳~㉿
- 25. ①~⑱: ①~⑱
⑳~㉿: ⑳~㉿
- 26. ①~⑱: ①~⑱
⑳~㉿: ⑳~㉿
- 27. ①~⑱: ①~⑱
⑳~㉿: ⑳~㉿
- 28. ①~⑱: ①~⑱
⑳~㉿: ⑳~㉿
- 29. ①~⑱: ①~⑱
⑳~㉿: ⑳~㉿
- 30. ①~⑱: ①~⑱
⑳~㉿: ⑳~㉿
- 31. ①~⑱: ①~⑱
⑳~㉿: ⑳~㉿
- 32. ①~⑱: ①~⑱
⑳~㉿: ⑳~㉿
- 33. ①~⑱: ①~⑱
⑳~㉿: ⑳~㉿
- 34. ①~⑱: ①~⑱
⑳~㉿: ⑳~㉿
- 35. ①~⑱: ①~⑱
⑳~㉿: ⑳~㉿
- 36. ①~⑱: ①~⑱
⑳~㉿: ⑳~㉿
- 37. ①~⑱: ①~⑱
⑳~㉿: ⑳~㉿
- 38. ①~⑱: ①~⑱
⑳~㉿: ⑳~㉿
- 39. ①~⑱: ①~⑱
⑳~㉿: ⑳~㉿
- 40. ①~⑱: ①~⑱
⑳~㉿: ⑳~㉿
- 41. ①~⑱: ①~⑱
⑳~㉿: ⑳~㉿
- 42. ①~⑱: ①~⑱
⑳~㉿: ⑳~㉿
- 43. ①~⑱: ①~⑱
⑳~㉿: ⑳~㉿
- 44. ①~⑱: ①~⑱
⑳~㉿: ⑳~㉿
- 45. ①~⑱: ①~⑱
⑳~㉿: ⑳~㉿
- 46. ①~⑱: ①~⑱
⑳~㉿: ⑳~㉿
- 47. ①~⑱: ①~⑱
⑳~㉿: ⑳~㉿
- 48. ①~⑱: ①~⑱
⑳~㉿: ⑳~㉿

REV	DATE	DESCRIPTION	BY	CHK	APPV
0		SELECTIVE-TIN (MATT)	SELECTIVE GOLD x 16		
1		SELECTIVE-TIN (MATT)	SELECTIVE GOLD x 5		
2		SELECTIVE-TIN (MATT)	SELECTIVE GOLD x 7		
3		SELECTIVE-TIN (MATT)	SELECTIVE GOLD x 10		
4		SELECTIVE-TIN (MATT)	SELECTIVE GOLD x 8		
5		SELECTIVE-TIN (MATT)	SELECTIVE GOLD x 4		
6		SELECTIVE-TIN (MATT)	SELECTIVE GOLD x 15		
7		TIN-LEAD	SELECTIVE GOLD x 33		
8		TIN-LEAD	PRE-TIN x 38		
9		TIN-LEAD	SELECTIVE GOLD x 5		
10		TIN-LEAD	SELECTIVE GOLD x 16		
11		TIN-LEAD	SELECTIVE GOLD x 32		
12		TIN-LEAD	PRE-TIN x 32		
13		TIN-LEAD	SELECTIVE GOLD x 15		
14		TIN-LEAD	PRE-TIN x 33		
15		PRE-TIN x 48			
16		PRE-TIN x 48			
17		PRE-TIN x 48			
18		PRE-TIN x 48			
19		SELECTIVE-TIN (MATT)	SELECTIVE-TIN (BRIGHT) x 48		
20		PRE-TIN x 48			
21		PRE-TIN x 48			
22		PRE-TIN x 48			
23		PRE-TIN x 48			
24		PRE-TIN x 48			
25		PRE-TIN x 48			
26		PRE-TIN x 48			
27		PRE-TIN x 48			
28		PRE-TIN x 48			
29		PRE-TIN x 48			
30		PRE-TIN x 48			
31		PRE-TIN x 48			
32		PRE-TIN x 48			
33		PRE-TIN x 48			
34		PRE-TIN x 48			
35		PRE-TIN x 48			
36		PRE-TIN x 48			
37		PRE-TIN x 48			
38		PRE-TIN x 48			
39		PRE-TIN x 48			
40		PRE-TIN x 48			
41		PRE-TIN x 48			
42		PRE-TIN x 48			
43		PRE-TIN x 48			
44		PRE-TIN x 48			
45		PRE-TIN x 48			
46		PRE-TIN x 48			
47		PRE-TIN x 48			
48		PRE-TIN x 48			

THIS DRAWING IS A CONTROLLED DOCUMENT.

DIN T. SHINOHARA
CHK K. BETSUJI
APPROV K. BETSUJI

TE Connectivity

48POSITION CAP HOUSING ASSEMBLY
040/070 SERIES HYBRID I/O CONNECTOR

SCALE 2:1 SHEET 1 of 1 REV M9

WEIGHT 24.1 g

CUSTOMER DRAWING