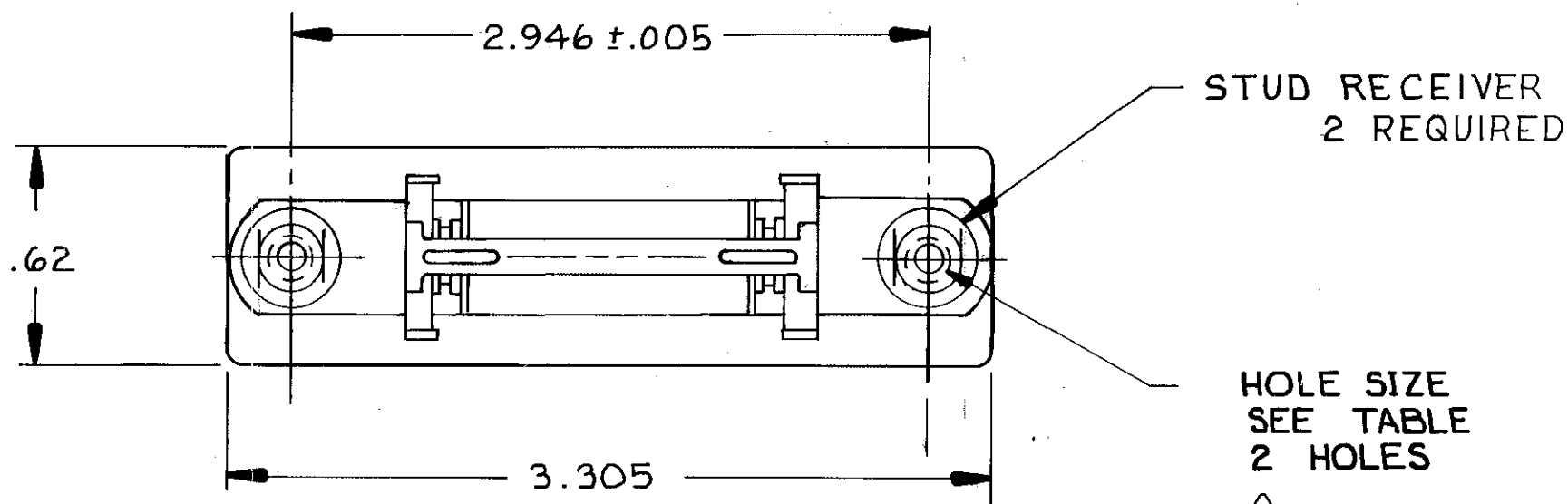
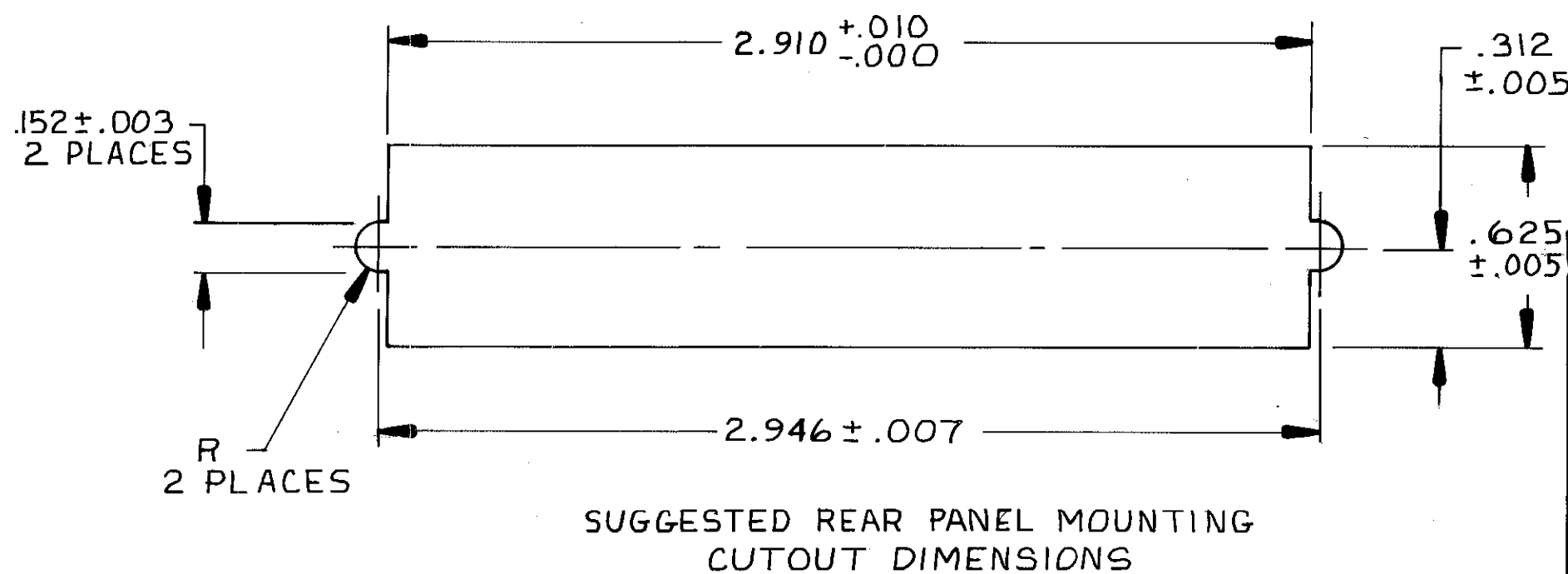
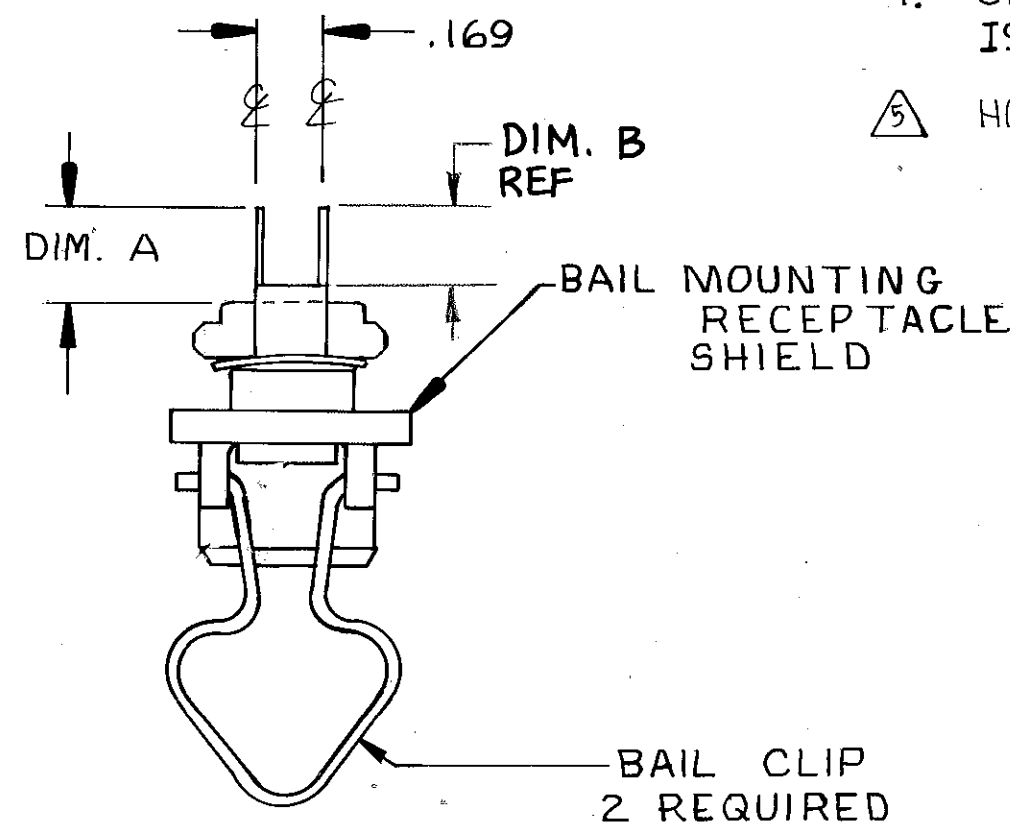
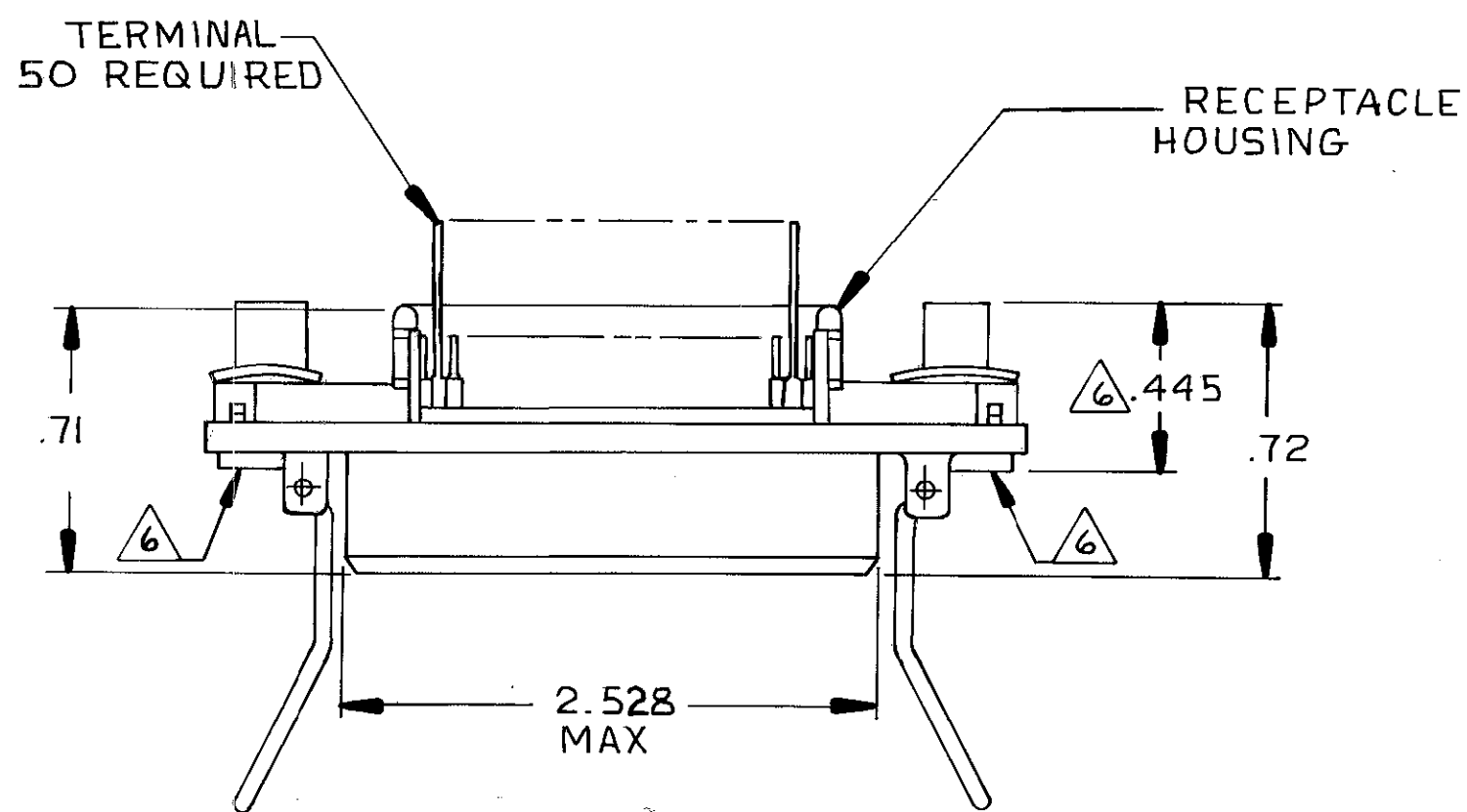


THIS DRAWING IS UNPUBLISHED. RELEASED FOR PUBLICATION, 19  
 © COPYRIGHT 19 BY AMP INCORPORATED, HARRISBURG, PA. ALL INTERNATIONAL RIGHTS RESERVED. AMP PRODUCTS MAY BE COVERED BY U.S. AND FOREIGN PATENTS AND/OR PATENTS PENDING.

REVISIONS				DATE	APPROVED
P	F	ZONE	LTR	DESCRIPTION	
				N REVISED; EC QUIC-0072-01	5-11-01 DD EB



1. THE CONTACT SURFACES OF THE TERMINALS ARE COATED WITH LUBRICANT.
  2. ALL DIMENSIONS SHOWN ARE FOR REFERENCE ONLY UNLESS OTHERWISE SPECIFIED.
  3. MATERIAL: HOUSING-THERMOPLASTIC, BLACK. TERMINAL TAILS-TIN LEAD OVER NICKEL PLATED HIGH STRENGTH COPPER ALLOY. MATING SURFACE-GOLD OVER NICKEL PLATED HIGH STRENGTH COPPER ALLOY. STUD RECEIVER-STAINLESS STEEL. BAIL CLIP-STAINLESS STEEL. SHIELD-NICKEL PLATED DIE CASTING.
  4. CENTER-TO-CENTER SPACING OF TERMINALS IS .085.
5. HOLES TO BE TAPPED AFTER PLATING.



PANEL THICKNESS	.232 +	PCB THICKNESS	.197 +
PANEL SIDE	RECOMMENDED HARDWARE FOR SCSI (PAN HEAD SCREW LENGTH)		
PCB SIDE			

4-40	.185	.20	554216-4
UNC-2B	.120	.135	554216-3
HOLE SIZE	DIM. B	DIM. A	PART NO

UNLESS OTHERWISE SPECIFIED DIMENSIONS ARE IN INCHES. TOLERANCES ON: DECIMALS ± ANGLES ±	CONTRACT NO	AMP   AMP INCORPORATED Harrisburg, Pa. 17105	
	DR J.C. Beck 6/7/83	NAME RECEPTACLE ASSEMBLY, 50 POSITION, VERTICAL MOUNTING, SHIELDED, BAIL LOCK	
MATERIAL	CHK MD Friel 6-17-83	APPD J. May 7/1/83	SIZE C
FINISH	APPD No. Klutnick 7/1/83	DSGN / PPD	FSCM NO 00779
	OTHER APPD	DRAWING NO 554216	SCALE 2:1
			SHEET 1 OF 1

554216