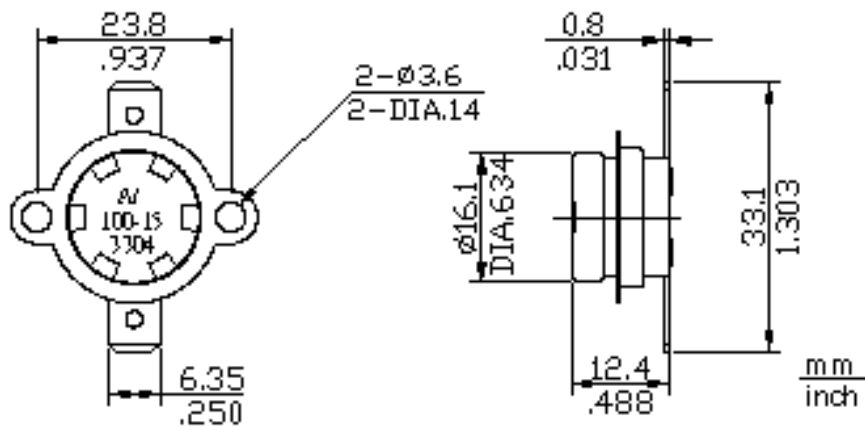


## 4A-SF2 (LOOSE BRACKET)



\*Electrical Rating: 16A/250V AC 15A/125V AC 10A/250V AC

\*Operation Temp: 40°C ~200(ENEC)  
40°C ~205°C (UL/CUL)

\*Differential: 10K~65K

\*Calibration Method: 1°C/min. Air circulation furnace

\*Temp. Tolerance:  $\pm 3K$  /  $\pm 5K$

\*Heat Durability: 180°C \*2Hr MAX.

\*Circuit Resistance: 50 m $\Omega$  MAX.

\*Insulation Resistance: 100M $\Omega$  min. at DC 500V

\*Dielectric Strength: AC1000V for One Minute or AC 1800V for One Second(Leak current: 0.5mA)

\*Operation life: 100,000 Cycles(15A 125V AC / 10A 250V AC)  
10,000 Cycles(16A 250V AC)

**SENASYS INC., 704 BARTLETT AVE., ALTOONA, WI 54720, U.S.A.**

**TEL: 715-831-6353 FAX: 419-818-0897**

**E-Mail : [info@senasys.com](mailto:info@senasys.com)**