

PROPRIETARY INFORMATION: PROPRIETARY OF GLOBTEK, INC. ANY REPRODUCTION, DISCLOSURE OR USE OF THIS DRAWING, IN WHOLE OR IN PART, IS HEREBY PROHIBITED EXCEPT AS SPECIFIED IN WRITING BY GLOBTEK, INC.	REVISION			
	REV	DESCRIPTION	DATE	APPROVED
	A	INITIAL RELEASE	03/03/03	PM

1. NOTES:

DIMENSIONS ARE IN MM UNLESS SPECIFIED OTHERWISE.

2. ELECTRICAL SPECIFICATIONS:


INPUT VOLTAGE: 90 VAC TO 264 VAC
 INPUT CURRENT: < 1.6 A RMS AT 90 VAC INPUT
 INPUT FREQUENCY: 47 HZ - 63 HZ
 OUTPUT VOLTAGE / CURRENT: + 28 VDC AT 0 - 2.1 A
 OUTPUT CURRENT : NO LOAD TO FULL LOAD, NO MINIMUM LOAD REQUIRED
 OUTPUT POWER (RATED): 60 WATTS MAX
 OUTPUT RIPPLE (PEAK TO PEAK): LESSOR OF 1% OR 100mV
 OUTPUT REGULATION (LINE/LOAD): ± 5 % FOR MAIN OUTPUT, MEASURED AT O/P CONNECTOR
 LINE REGULATION: ± 0.1 % TYPICAL
 ADJUSTABILITY: FACTORY SET
 TURN ON/ TURN OFF OVERSHOOT: 4% MAX 500uS MAX RECOVERY TIME FOR 25% STEP LOAD
 TURN-ON DELAY: 1 SEC MAX
 HOLD-UP TIME: 16 mSEC MIN AT NOMINAL INPUT AND FULL LOAD
 INRUSH CURRENT: 20 A MAX AT COLD START FOR N.A. (40A FOR EURO)
 EFFICIENCY: 85 % TYPICAL
 SWITCHING FREQUENCY: 100 KHZ TYPICAL
 OVER-VOLTAGE PROTECTION: VOLTAGE LIMITED LESS 130% OF NOMINAL VOLTAGE
 OVER-CURRENT / SHORT CIRCUIT: HICCUP WITH AUTO RECOVERY TO 1.1 - 1.3 I_o
 OTHER PROTECTION: INPUT FUSING

 SAFETY APPROVALS (PENDING): UL 2601, CUL TO 22.2 # 601, VDE TO EN60601-1, CE, CLASS II

 DIELECTRIC WITHSTAND VOLTAGE: 4000VAC PRIMARY-SECONDARY
 LEAKAGE CURRENT: < 0.1 mA
 LINE SURGE: EN 61000-4-5 LEVEL 4
 EMI: COMPLIES WITH EN55022, EN55011 CLASS B AND FCC PART 15 CLASS B WHEN TESTED WITH A RESISTIVE LOAD, BOTH CONDUCTED AND RADIATED

 CE MARK : TESTED TO COMPLY WITH EN61000-3-2, EN61000-3-3 AND EN50082-1 INCLUDING EN61000-4-2, EN61000-4-3, EN61000-4-4, EN61000-4-5, EN61000-4-6, EN61000-4-11 LEVEL 4, UNIT IS ELIGIBLE FOR CE MARK.

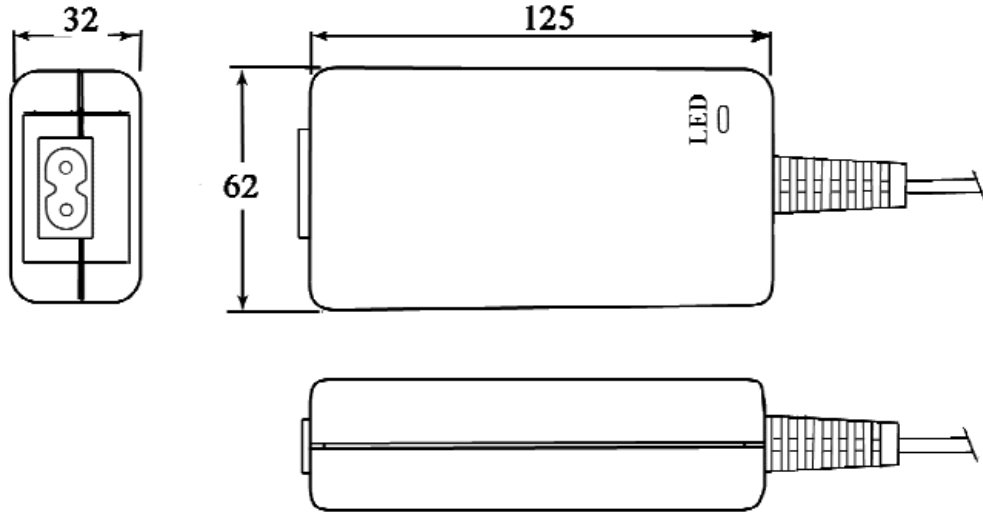
 MTBF: GREATER THAN 50,000 HOURS AT 25°C AMBIENT TEMPERATURE
 OPERATING TEMPERATURE: 0°C TO 70 C DERATE LINEARLY FROM 100% AT 40°C TO 50% AT 70°C
 STORAGE TEMPERATURE: -40°C TO 80° C
 HUMIDITY: 0% TO 90% RELATIVE HUMIDITY

DASH NO.	PART NO	REV.	DESCRIPTION	NOTES
TABULATION BLOCK				
REVISION	A	A	A	
SHEET	1	2	3	
INIT.BY: BS	DATE:	TOLERANCES:		 GlobTek, Inc. 186 Veterans Dr. Northvale, NJ 07647 Tel. 201-784-1000 Fax 201.784.0111 www.globtek.com
	03/03/03	DECIMALS	ANGULAR	
		.xx +/- 0.1	+/- 1'	DWG TITLE: SWITCHING POWER SUPPLY, 60 WATT , 28VDC@ 2.1A DESKTOP, UNIVERSAL INPUT, MEDICAL, CLASS II
		.xxx +/- .005		
		MILLIMETERS	ANGULAR	MODEL NO: GT-500160-30-2.0-T2
		.xx +/- 0.3	+/- 1'	
		.xxx +/- .013		REV. A
DRAWN: NF	DATE:	FSCN No.:	SIZE	PART NO: TR9KR2100LNP-R-MED
	03/03/03	G, N	A	
CH/AP: PM	DATE:	SCALE: NONE		SHEET 1 OF 3
	03/03/03			

PROPRIETARY INFORMATION: PROPRIETARY OF GLOBTEK, INC. ANY REPRODUCTION, DISCLOSURE OR USE OF THIS DRAWING, IN WHOLE OR IN PART, IS HEREBY PROHIBITED EXCEPT AS SPECIFIED IN WRITING BY GLOBTEK, INC.	REVISION			
	REV	DESCRIPTION	DATE	APPROVED
	A	INITIAL RELEASE	03/0303	PM

3. ENCLOSURE

UPPER HOUSING: HIGH IMPACT PLASTIC, 94V0 POLYCARBONATE, NON-VENTED, COLOR BLACK
 LOWER HOUSING: HIGH IMPACT PLASTIC 94V0 POLYCARBONATE, NON- VENTED, COLOR BLACK
 SIZE: 125 X 62 X 32 ± 1 mm



4. INDICATOR: GREEN LED, OUTPUT PRESENT

5. INPUT CONNECTOR:

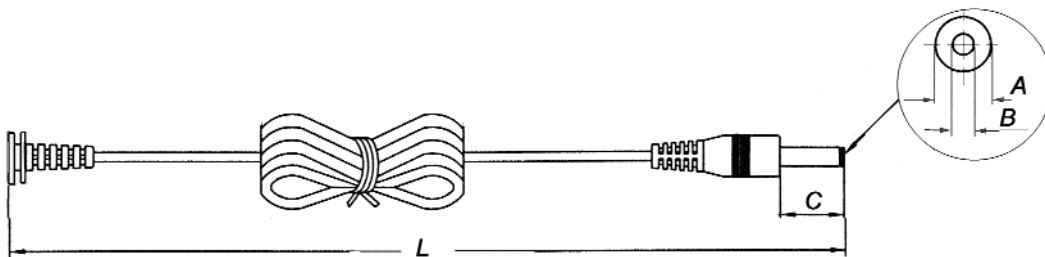
CONFIGURATION: CLASS II MODEL IEC320 / C8, AC POWER RECEPTACLE WITH 2 MALE PRONGS

6. OUTPUT CORD:

STANDARD, 2 CONDUCTOR, 18 AWG STRANDED WIRE, FLAT UL VW-1 RATED SPT-1 CORD TYPE, COLOR BLACK , LENGTH OF CORD: 1830 ± 50mm. CORD IS MEASURED FROM THE HOUSING TO THE END OF OVERMOLD OF THE CONNECTOR. CABLE IS TO BE MARKED WITH WIRE GAUGE, AND ALL APPLICABLE RATING AND SAFETY APPROVALS.

7. OUTPUT CONNECTOR:

STANDARD, STRAIGHT FEMALE BARREL IS 5.5 x 2.5 x 11 mm WITH CENTER NEGATIVE:



A = 5.5 mm
 B = 2.5 mm
 C = 11 mm

L = 1830 ± 50

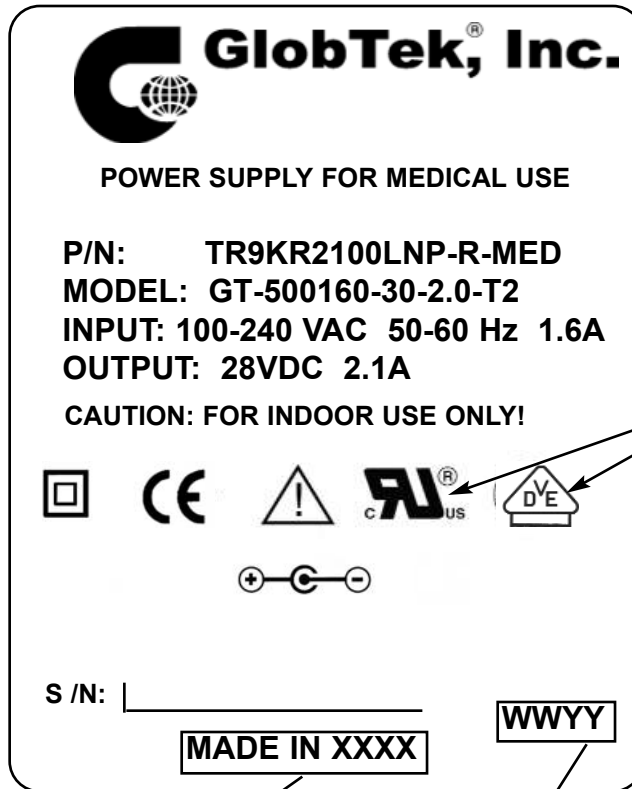
GlobTek, Inc. 186 Veterans Dr. Northvale, NJ 07647 Tel. 201-784-1000 Fax 201.784.0111	
DWG TITLE: SWITCHING POWER SUPPLY, 60 WATT , 28VDC@ 2.1A DESKTOP, UNIVERSAL INPUT, MEDICAL, CLASS II	
MODEL NO: GT-500160-30-2.0-T2	REV. A
PART NO: TR9KR2100LNP-R-MED	SHEET 2 OF 3

PROPRIETARY INFORMATION: PROPRIETARY OF GLOBTEK, INC. ANY REPRODUCTION, DISCLOSURE OR USE OF THIS DRAWING, IN WHOLE OR IN PART, IS HEREBY PROHIBITED EXCEPT AS SPECIFIED IN WRITING BY GLOBTEK, INC.	REVISION			
	REV	DESCRIPTION	DATE	APPROVED
	A	INITIAL RELEASE	03/03/03	PM

8. LABEL:

MATERIAL: .007 (0.18) THICK FLAT THERMAL TRANSFER, IMPRINTABLE, WHITE OR GRAY POLYESTER SHEET WITH BLACK NOMENCLATURE.

MANUFACTURER: STEVEN LABEL, MATERIAL I.D. NO.3302-33, UL FILE NO. MH12821(N), UL MATERIAL DESIGNATION FILE NO. GHW332RL. OPTIONAL LABEL MATERIAL CAN BE SUBSTITUTED PROVIDING MATERIAL IS UL LISTED AND COMPLIES WITH APPLICABLE SAFETY REQUIREMENTS.



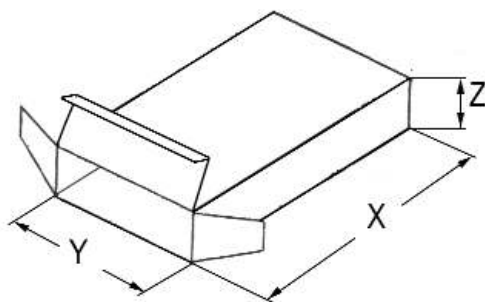
LOGO'S PENDING

XXXX - USA OR CHINA


DATE CODE
 WW - WEEK
 YY - YEAR

9. INDIVIDUAL PACKING BOX:

MATERIAL: CORRUGATED FIBERBOARD, F-FLUTE 0.8 (2.0) THICK, DOUBLE WALL CONSTRUCTION.
 EXTERNAL FINISH: WHITE, COATED WITH GLOSS FINISH (AQUEOUS OR VARNISH) STYLE: TUCK SIDES WITH LOCKING TABS ON BOTH SIDES OF BOX. NO PRINTING ON THE OUTSIDE OF BOX.



X = 184 mm
 Y = 117 mm
 Z = 50 mm

 GlobTek, Inc. 186 Veterans Dr. Northvale, NJ 07647 Tel. 201-784-1000 Fax 201.784.0111	
DWG TITLE: SWITCHING POWER SUPPLY, 60 WATT , 28VDC@ 2.1A DESKTOP, UNIVERSAL INPUT, MEDICAL, CLASS II	
MODEL NO: GT-500160-30-2.0-T2	REV. A
PART NO: TR9KR2100LNP-R-MED	SHEET 3 OF 3