

LIFT/GND TOGGLE SWITCH -40dB PAD PUSHBUTTON SWITCH



RMAS1 SINGLE CHANNEL MIC SPLITTER

The Switchcraft® RMAS1 is a passive 3-way transformer isolated microphone splitter ideal for sending a single balanced audio input to 3 unique destinations. Unlike a Y adapter, transformer isolation provides immunity from hum and buzz created by ground loops and RF interference. The transformers galvanically isolate the electrical connections, creating a pair of ultra-clean audio paths to FOH consoles and recording systems. An additional output provides an uninterruptable direct connection to monitor consoles to supply phantom power for direct boxes or condenser microphones.

A 40dB input pad allows the RMAS1 to also function as a line level audio splitter for maximum flexibility in any live sound or recording environment and a ground lift switch on each isolated output provides added versatility for eliminating grounding issues.

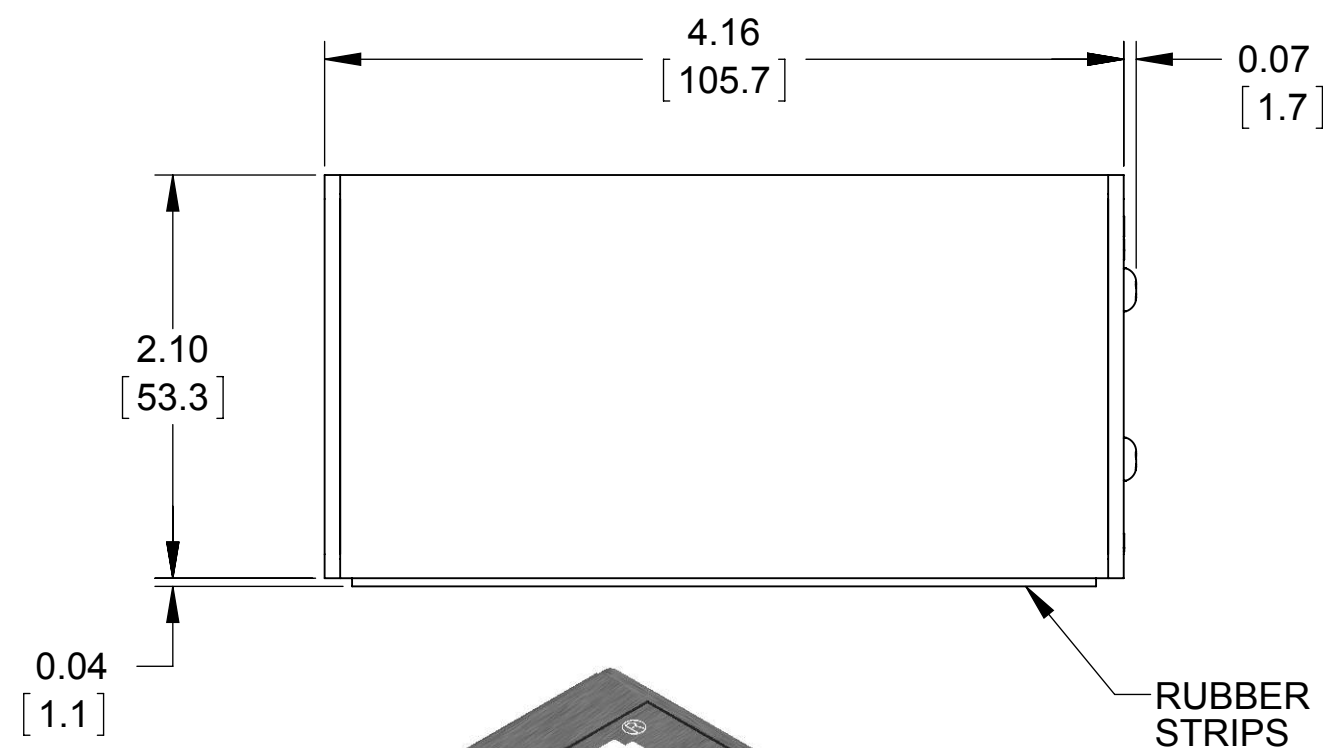
USES:

STAGE:

Connect microphones, DI's, keyboards, etc. to multiple destinations such as monitor, FOH, and recording consoles.

BROADCAST:

Provide 3 isolated feeds from one source for ENG and news conferences.



CONTROLS:

INPUT (Female XLR):

Accepts balanced mic or line level signal.

DIRECT OUTPUT (Male XLR):

Provides straight connection from input jack. Pass phantom power through this connection to power a condenser microphone or active DI box.

ISOLATED OUT 1 & 2 (2X Male XLR):

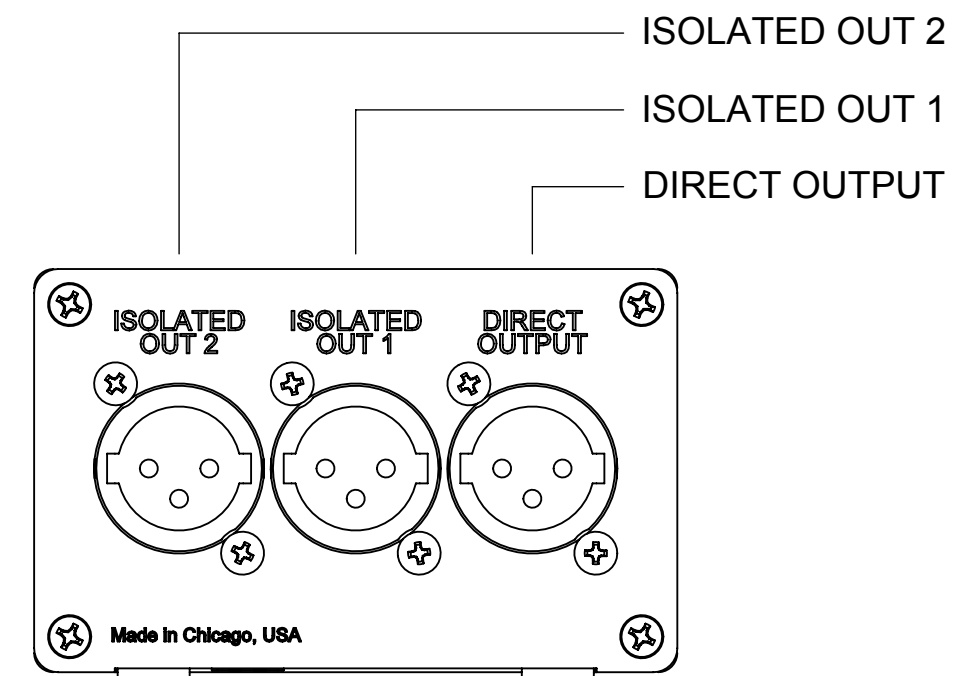
Provides 2 transformer isolated, balanced outputs.

-40dB PAD (Pushbutton Switch):

Reduces input signal by 40dB on isolated out 1 & 2. Allows unit to split line level signals.

LIFT/GND (2X Toggle Switch):

Ground lift switches. Disconnects ground (pin-1) connection between input and isolated output XLRs. Use to break ground loops to further reduce hum & buzz.



NOTES:

1. All XLR connectors are wired pin-1 ground, pin-2 hot, and pin-3 cold.
2. Materials:
Housing and end panels - Black anodized aluminum
Recessed component panel - Green anodized aluminum
3. This product is RoHS compliant.

CUSTOMER DRAWING

UNLESS OTHERWISE SPECIFIED					THIS DRAWING DESCRIBES A DESIGN CONSIDERED PROPRIETARY IN NATURE, DEVELOPED AND MANUFACTURED BY SWITCHCRAFT INC. AND IS RELEASED ON A CONFIDENTIAL BASIS FOR IDENTIFICATION PURPOSES ONLY.					
1. ALL DIMENSIONS IN INCHES [mm]					SIZE	WIDTH	MULT	LBS/M	TEMPER	
- TWO PLACE DECIMALS ±0.02 [0.5]					FINISH				MATERIAL	
- THREE PLACE DECIMALS ±0.005 [0.13]					SPEC No.				SPEC No.	
					FIRST USED ON				SCALE	
									1:1	
B	27808	11-16-16	PC	TJK	DATE DRAWN	BY	CHKD	APVD		
A	27705	05-19-16	PC	TJK	8-16-11	BHM	PC	TJK		
REVISIONS					02-21-17	02-21-17	SHEET 1 OF 3			
DO NOT SCALE DRAWING					NAME				PART No.	REV
					PASSIVE 3-WAY MICROPHONE SPLITTER, RoHS				RMAS1	B

RMAS1 Mic Splitter Audio Specifications

Switchcraft®

Parameter	Performance	Conditions
Frequency Response	10Hz - 20kHz	+/-0.5dB, ref 1kHz
Total Harmonic Distortion + Noise	< 0.003% < 0.05%	at 1kHz, -20dBu Input, 22kHz Bandwidth at 20Hz, -20dBu Input, 22kHz Bandwidth
Maximum Input Level	+4dBu	at 20Hz with 1% THD+Noise
Input Impedance	400Ω Typical	at 1kHz
Output Impedance	200Ω Typical	at 1kHz
Common Mode Rejection Ratio (CMRR)	> 122dB > 100dB	at 60Hz at 1kHz
Deviation from Linear Phase	< 2° < 2° < 25°	at 20Hz at 1kHz at 20kHz
Voltage Gain		
Direct Output	-3dB	+/-1dB
Direct Output (Pad On)	-1dB	+/-1dB
Isolated Outputs	-4dB	+/-1dB
Isolated Outputs (Pad On)	-44dB	+/-1dB
Pad Attenuation	40dB	+/-1dB

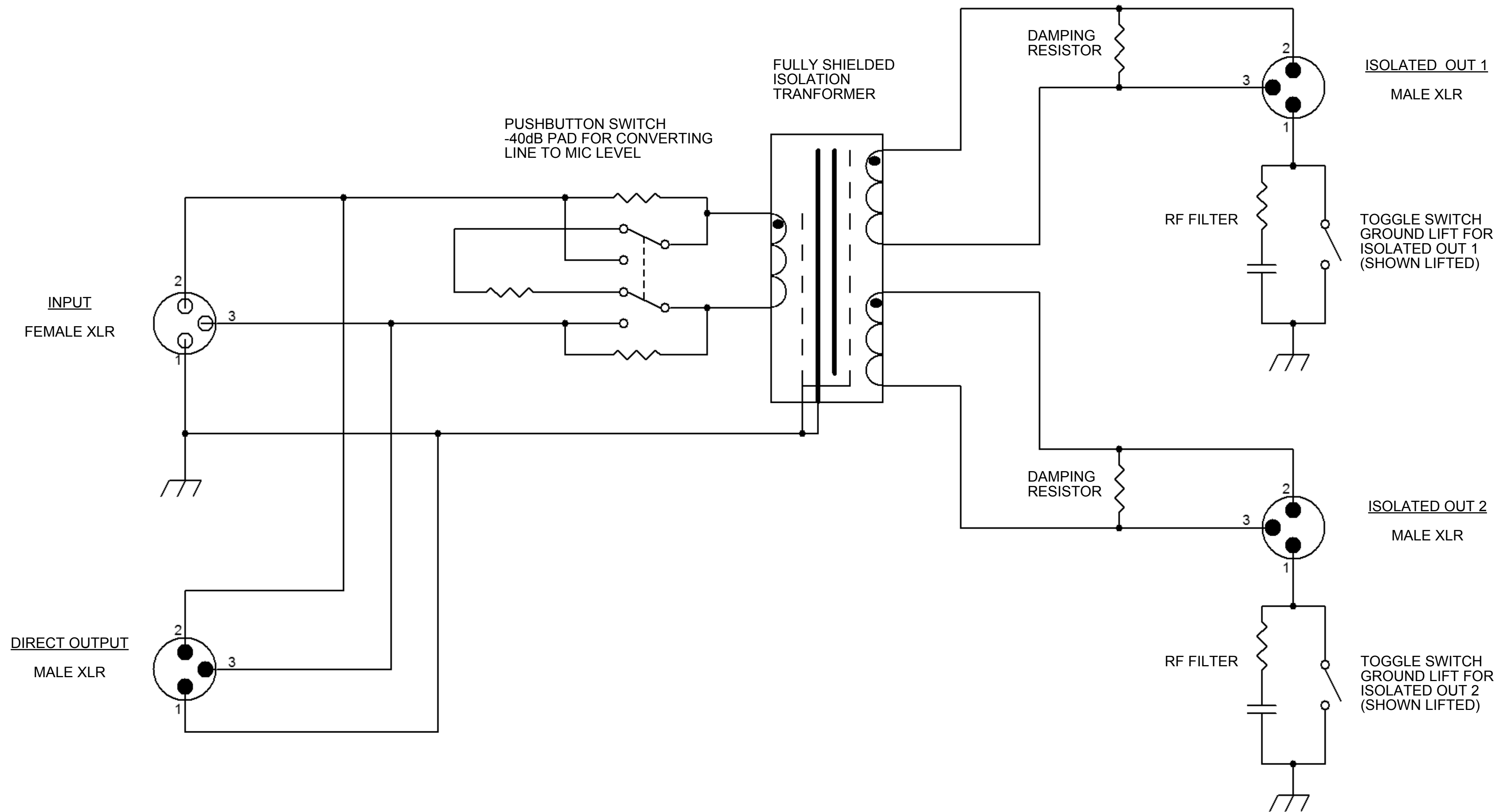
Notes: All measurements were taken with a 150Ω balanced source and 1.5kΩ loads on all three outputs.

Specifications subject to change without notice.

CUSTOMER DRAWING

SCALE 1:1	Switchcraft®	
DATE DRAWN 8-16-11		
DRAWN BY BHM	PART No. RMAS1	REV B

SCHEMATIC



CUSTOMER DRAWING

SCALE 1:1	Switchcraft [®]	
DATE DRAWN 8-16-11		
DRAWN BY BHM	PART No. RMAS1	REV B