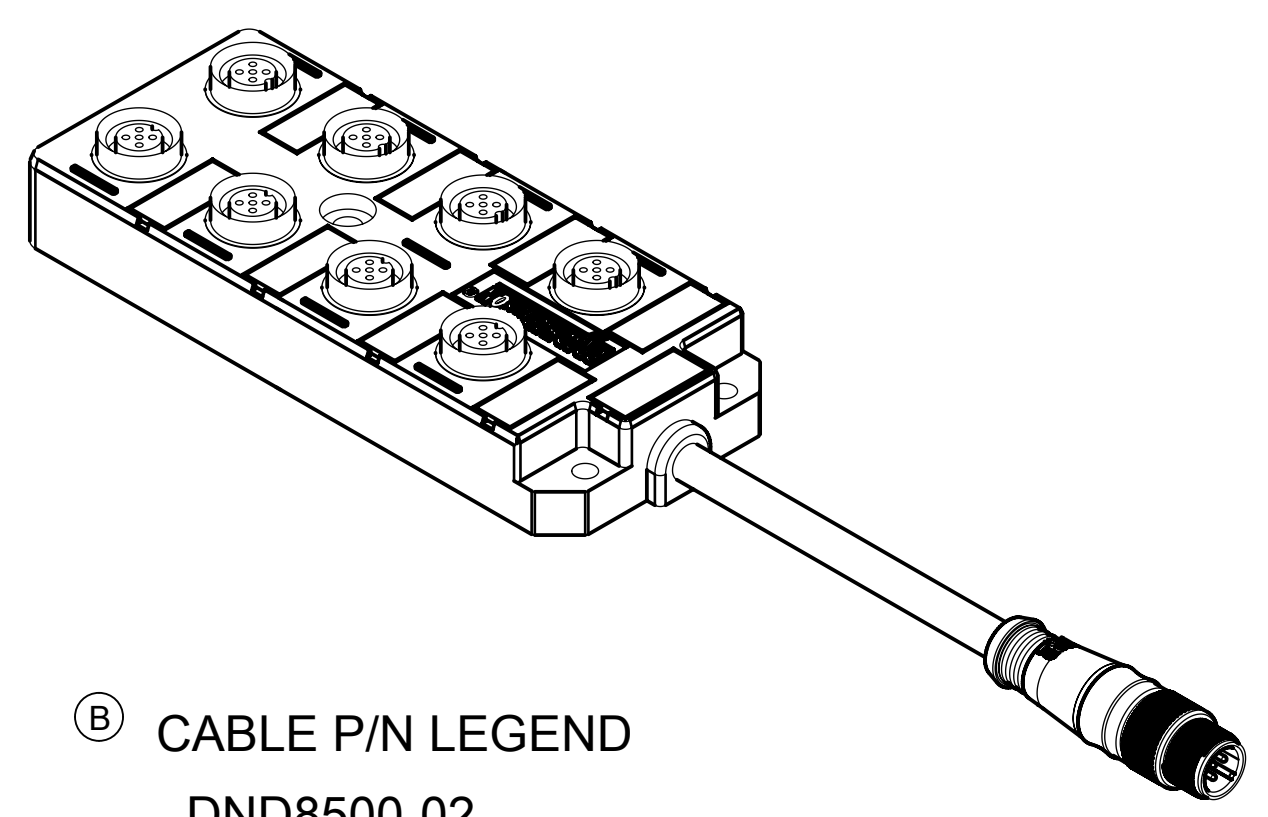
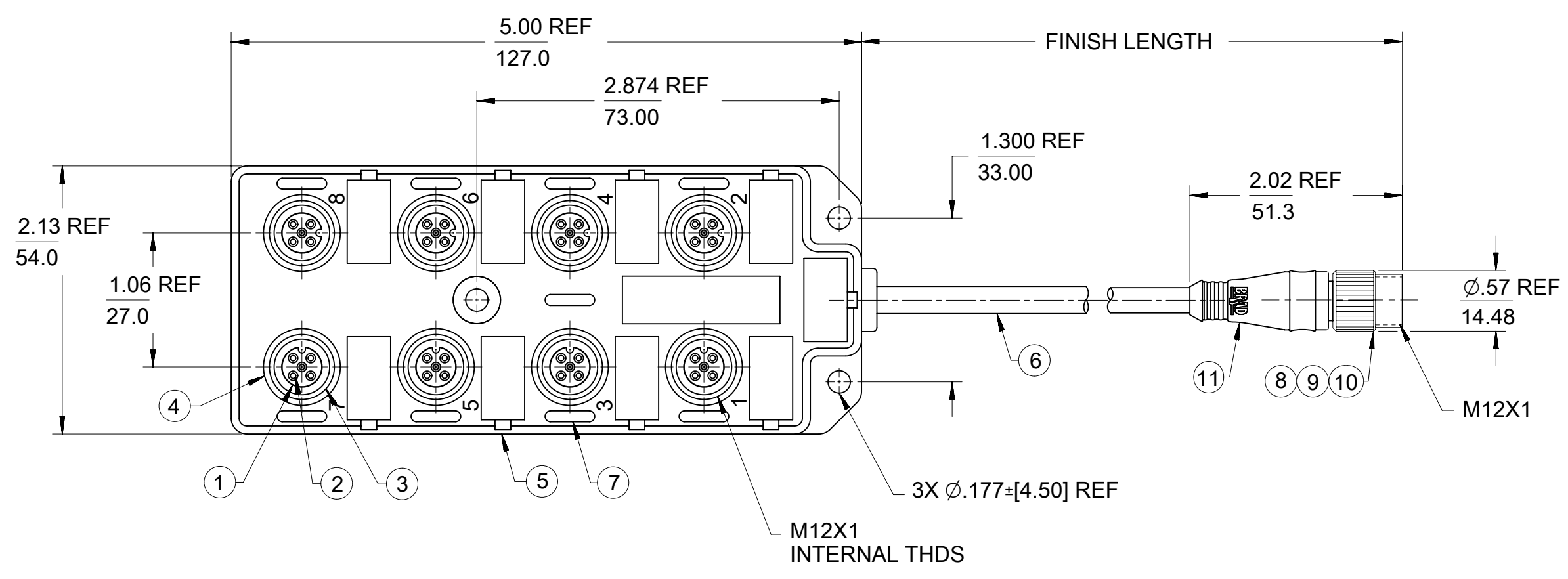


MATERIAL NUMBER	OLD PART NUMBER	FINISHED LENGTH
1300370016	DND8500-03	9'10" +.3.50" -0 [3M +88.9 -0]

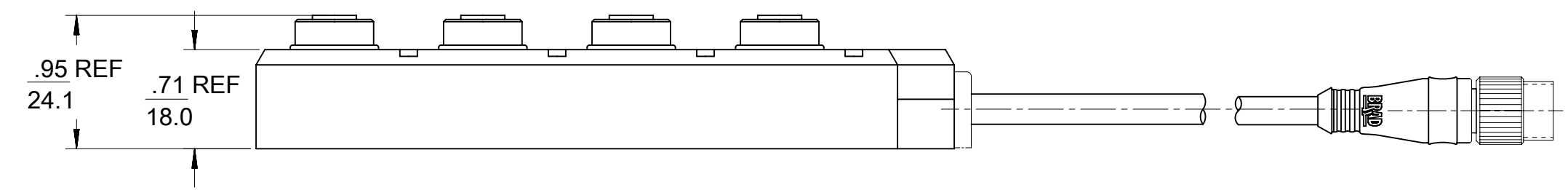
CHART

(B)

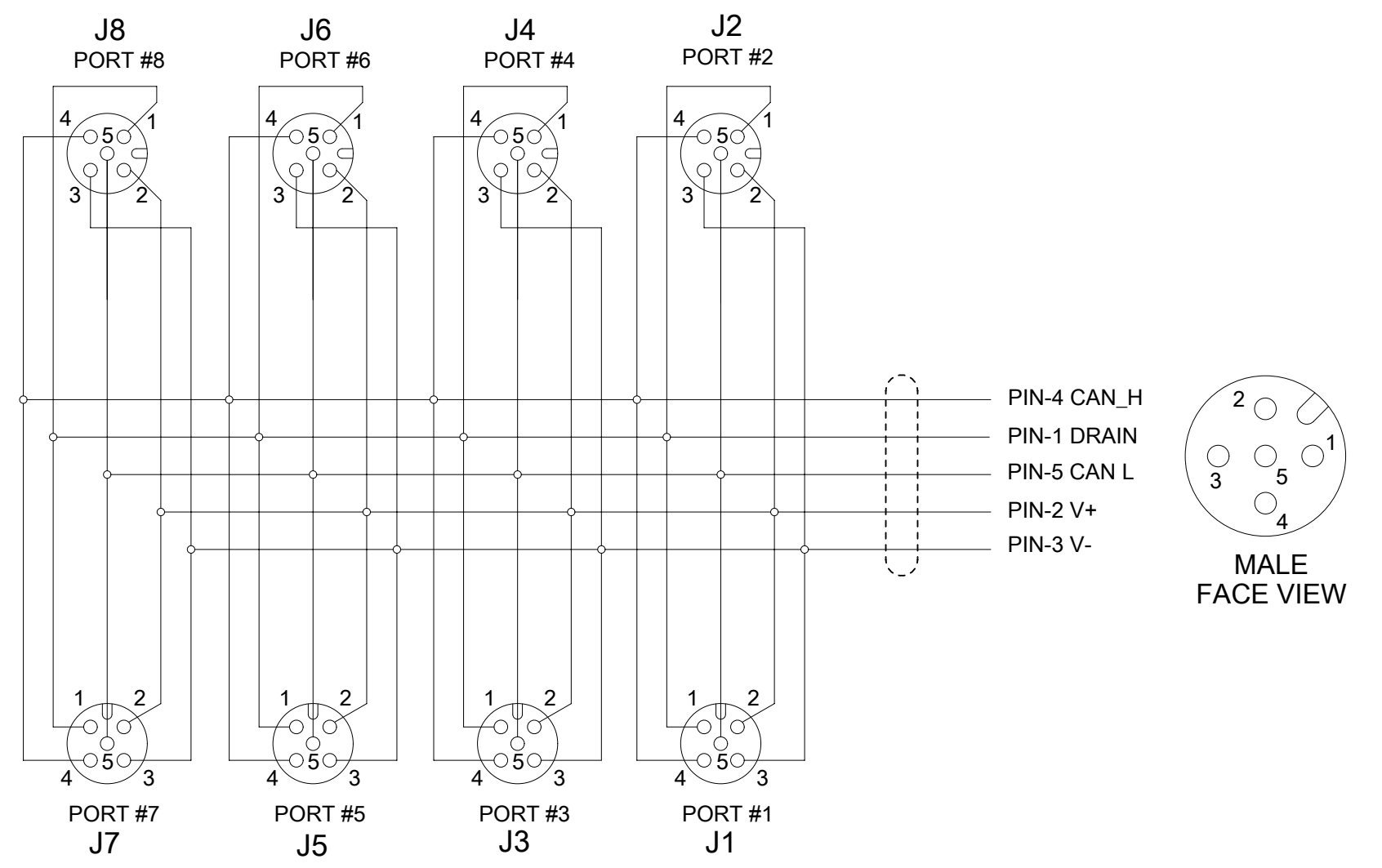


(B) CABLE P/N LEGEND

DND8500-02
 CABLE TYPE: DEVICE-NET DROP
 22 AWG, PVC, GRAY
 FINISHED LENGTH: -02= 2M
 M002= .2 METERS



VOLTAGE RATING	10-30 VDC
AMPERAGE RATING PER PORT	4 AMPS
PROTECTION (WHEN MATED)	IP67
OPERATING TEMPERATURE	-20°C TO 90°C



ITEM	COMPONENT	MATERIAL	FINISH
1	INSERT	NYLON	BLACK
2	CONTACT SOCKET	COPPER ALLOY	GOLD OVER NICKEL
3	O-RING	NITRILE	RED
4	RECEPTACLE SHELL	BRASS	NICKEL PLATED
5	HOUSING	PBT	GRAY
6	CABLE- DEVICENET DROP, 300V, SHLD	PVC	GRAY
7	LENS	NYLON	GRAY
8	INSERT	NYLON	BLACK
9	CONTACT PIN	COPPER ALLOY	GOLD OVER NICKEL
10	COUPLING NUT	ZINC DIE CAST	BLACK E-COATED
11	OVERMOLD	PVC	GRAY

FUNCTIONAL SYMBOLS	THIS DRAWING CONTAINS INFORMATION THAT IS PROPRIETARY TO MOLEX ELECTRONIC TECHNOLOGIES, LLC AND SHOULD NOT BE USED WITHOUT WRITTEN PERMISSION		CURRENT REV DESC: RETRACTED DOCUMENT AS PER SALES FORCE CASE#451616		molex		
	DIMENSION UNITS	SCALE					
$F_A = 0$	INCH/MM	1:10	EC NO: 725951		TOP MOUNT 8 OUTLET TO MIC 5P DEVICENET		
$F_C = 0$	GENERAL TOLERANCES (UNLESS SPECIFIED)		DRWN: SUGEEB 2022/10/25				
$F_P = 0$	4 PLACES ±		CHK'D: GGA 2022/10/31		PRODUCT CUSTOMER DRAWING		
DIVISIONAL SYMBOLS	3 PLACES ±		APPR: GGA 2022/10/31				
	2 PLACES ±		INITIAL REVISION:		DOCUMENT NUMBER: SD-130037-006 DOC TYPE: PSD DOC PART: 001 REVISION: D		
	1 PLACE ±		DRWN: BW 2009/07/27				
	0 PLACES ±		APPR: JFMURPHY 2010/01/25		MATERIAL NUMBER: SEE TABLE CUSTOMER: GENERAL MARKET SHEET NUMBER: 1 OF 1		
	ANGULAR TOL ± 0.5°		THIRD ANGLE PROJECTION				
	DRAFT WHERE APPLICABLE MUST REMAIN WITHIN DIMENSIONS		DRAWING: C-SIZE		SERIES: 130037		