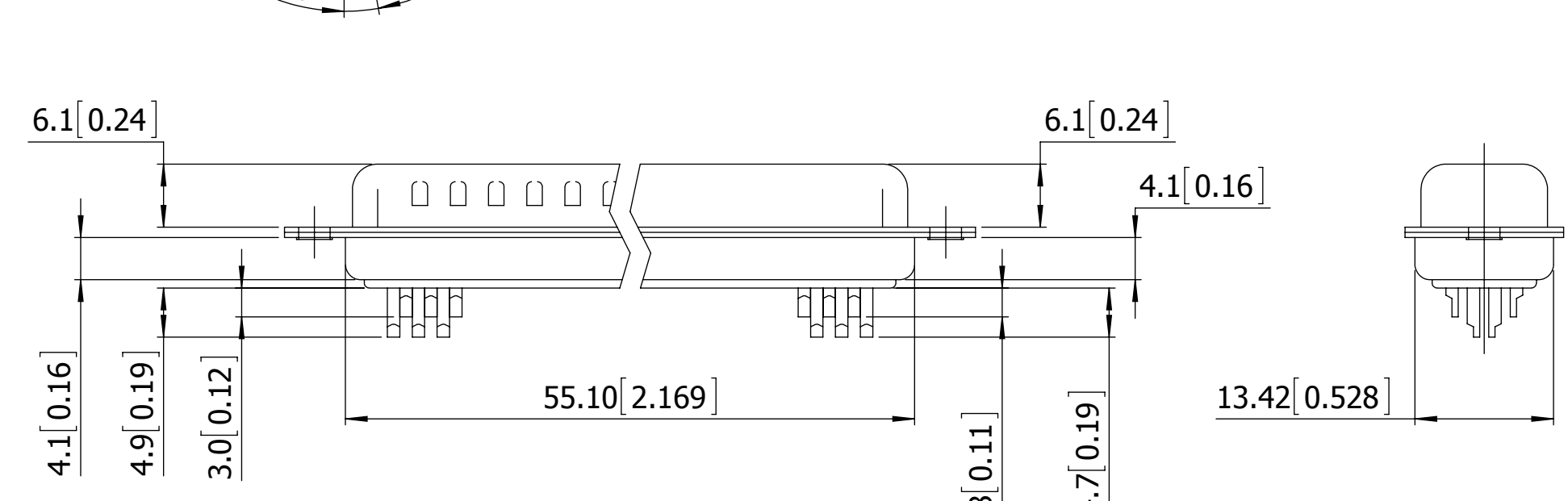
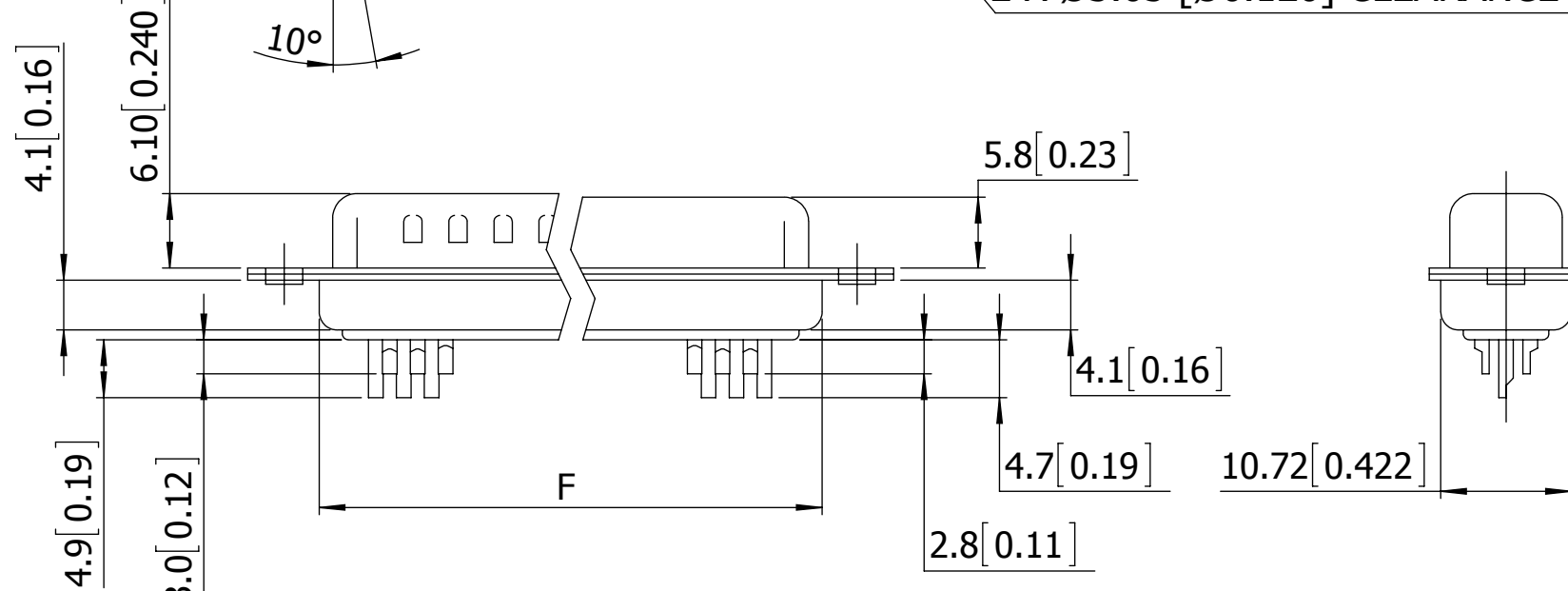
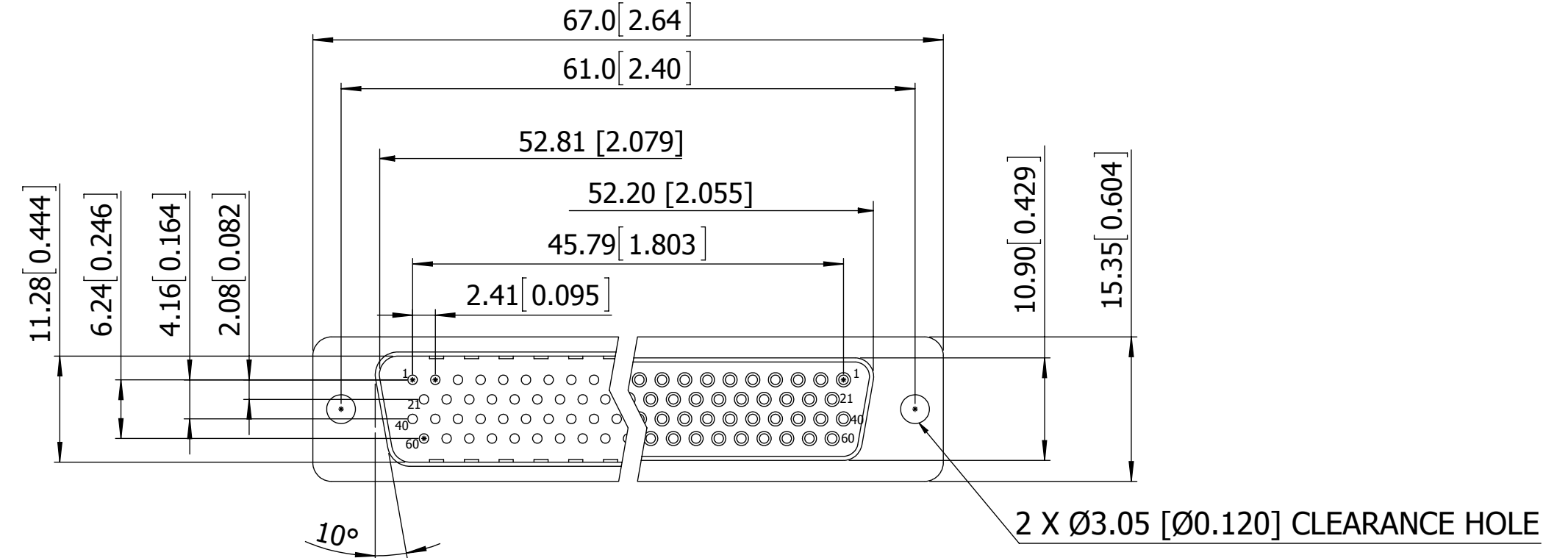
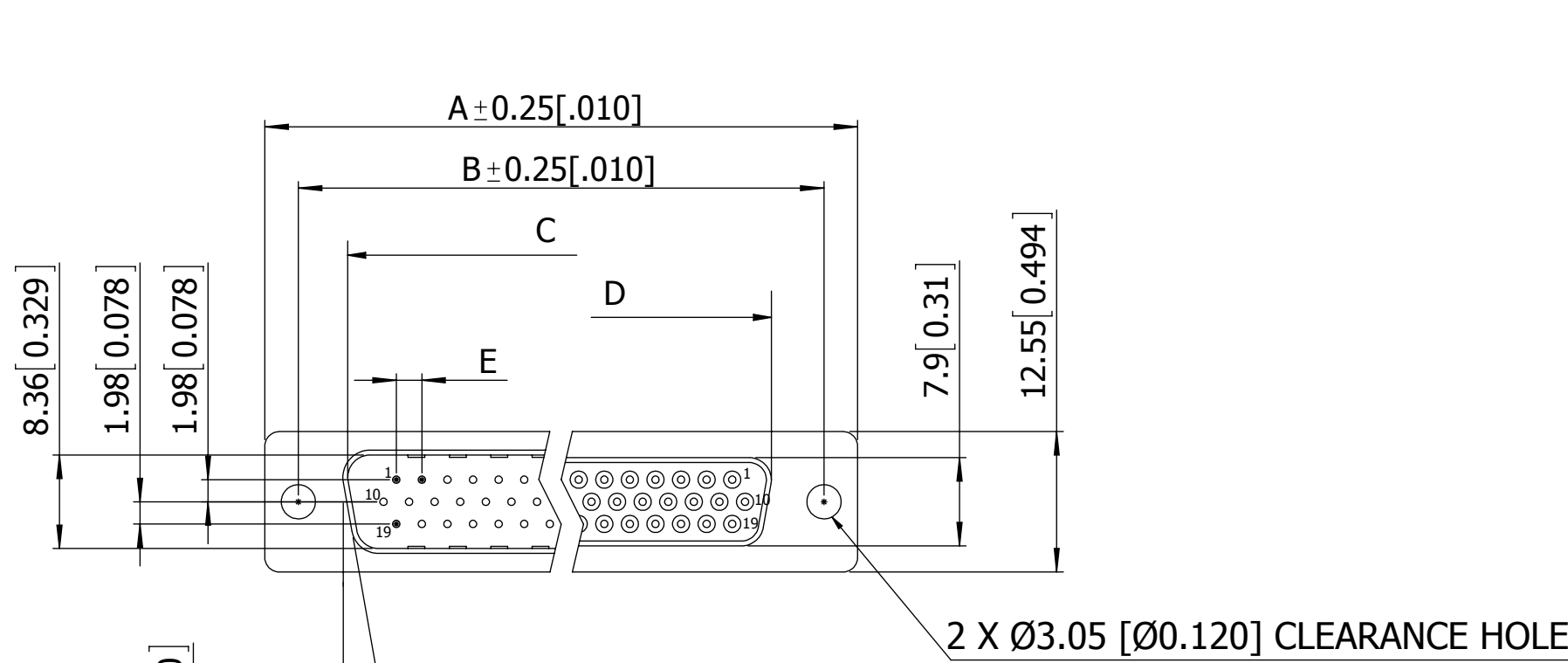


DIMENSIONS

POSITIONS	A		B		C		D		E		F	
	MM	INCH	MM	INCH	MM	INCH	MM	INCH	MM	INCH	MM	INCH
15	30.81	1.213	24.99	0.984	16.92	0.666	16.33	0.643	2.29	0.090	19.20	0.756
26	39.20	1.543	33.30	1.311	25.25	0.994	24.70	0.972	2.29	0.090	27.70	1.091
44	53.05	2.088	47.04	1.852	38.96	1.534	38.40	1.512	2.29	0.090	41.10	1.618
62	69.40	2.732	63.50	2.500	55.42	2.182	54.80	2.158	2.41	0.095	57.30	2.256

REVISIONS				
REV.	ECO. NO	DESCRIPTION	DATE	BY
A	2398	INITIAL RELEASE	07/01/2011	LH
B	2576	UPDATE PART NUMBER CODING	05/10/2012	LH
C	2637	ADD WIRE SIZE NOTE 3	07/19/2012	LH



15,26,44,62 POSITIONS

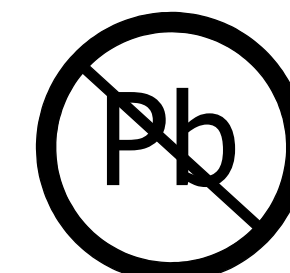
(PN EXAMPLE: SDS104-PRW2-M15-SN00-1)

78 POSITIONS

(PN EXAMPLE: SDS104-PRW2-M78-SN00-1)

NOTES:

- MATERIAL**
 INSULATOR : GLASS-FILLED THERMOPLASTIC PBT, UL94V-0
 CONTACT: BRASS
 SHELL : SPCC, .000100" TIN OVER .000050" MIN. COPPER (STANDARD, SEE PAGE 3)
 CLINCH NUT : BRASS, NICKEL PLATED
 SCREWLOCK : STEEL, NICKEL PLATED
 OPERATING TEMPERATURE : -55°C TO +105°C
- ELECTRICAL**
 CONTACT RESISTANCE : 20 MILLIOHMS MAX AT 1 AMP DC
 INSULATION RESISTANCE : 1000 MAGOHMS AT 500 VDC
 DIELECTRIC WITHSTANDING VOLTAGE : 1000 VAC/RMS 60Hz FOR 1 MINUTE
 CURRENT RATING : 3 AMPS
 VOLATGE RATING : 250 VAC/RMS 60Hz
- ACCEPTS WIRE SIZE: 22 AWG MAX**

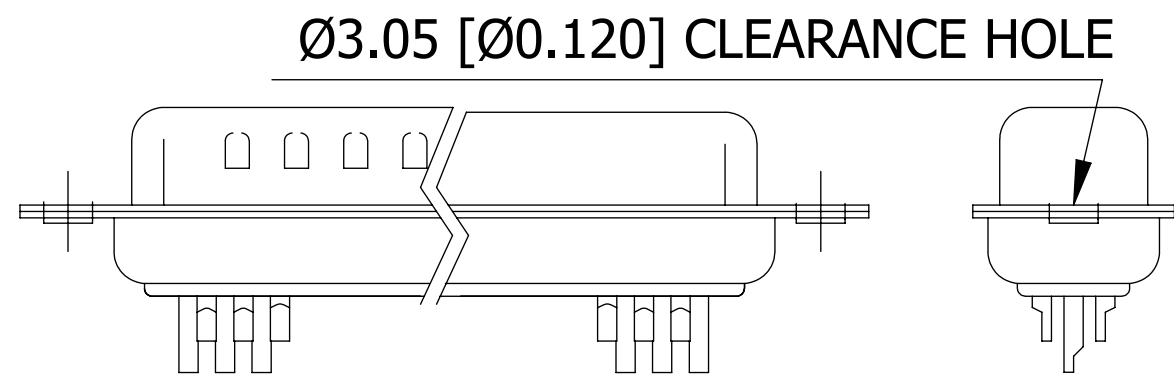


RoHS COMPLIANT

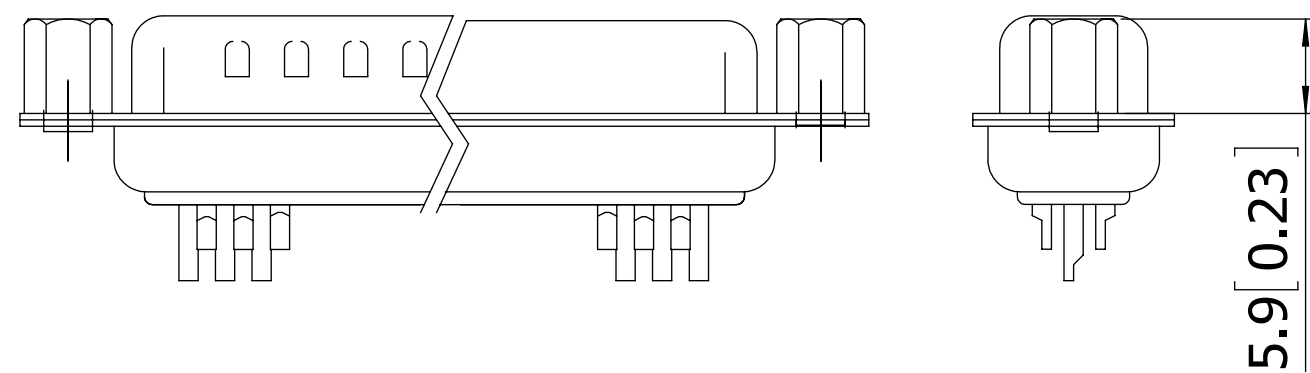
UNLESS OTHERWISE SPECIFIED: DIMENSIONS ARE IN MM [INCHES]		DRAWN	DATE	NAME	
TOLERANCES: ANGULAR: ± 3° DECIMALS X.= ± 0.38 [.015] X.= ± 0.25 [.010] .XX= ± 0.13 [.005]			07/01/2011	LH	
		THE INFORMATION HEREIN CONTAINS PROPRIETARY INFORMATION OF SULLINS ELECTRONICS AND IS NOT TO BE REPRODUCED, USED OR DISCLOSED TO OTHERS FOR ANY PURPOSE EXCEPT AS SPECIFICALLY AUTHORIZED IN WRITING BY AN OFFICER OF SULLINS ELECTRONICS.			PART NUMBER SDS104-PR _ _ _ _ N _ _
		SIZE C	CAGE CODE 54453	DWG. NO. 11800	REV C
		SCALE: 1:15		SHEET 1 OF 3	

h: POSITION OF CLINCH NUT

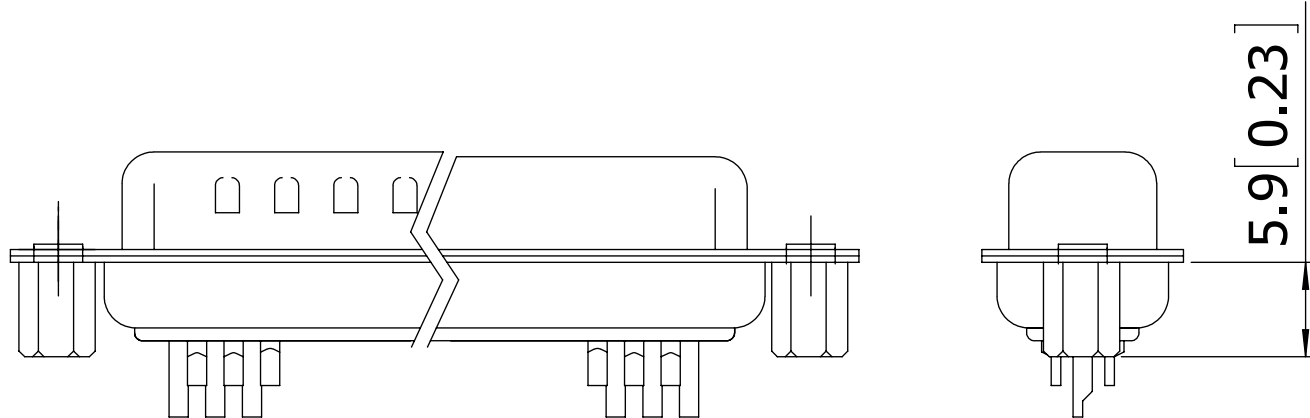
h: 0



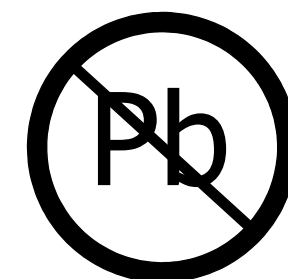
h: 1



h: 2



**CONSULT SALES OR
FACTORY FOR OTHER
MOUNTING STYLE OPTIONS**



RoHS COMPLIANT

UNLESS OTHERWISE SPECIFIED:
DIMENSIONS ARE IN MM [INCHES]

TOLERANCES:

ANGULAR: ± 3°

DECIMALS

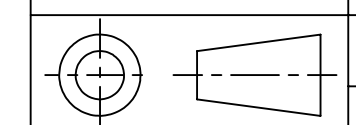
X.= ± 0.38 [.015]

.X= ± 0.25 [.010]

.XX= ± 0.13 [.005]

DRAWN	DATE	NAME
	07/01/2011	LH

THE INFORMATION HEREIN CONTAINS
PROPRIETARY INFORMATION OF
SULLINS ELECTRONICS AND IS NOT
TO BE REPRODUCED, USED OR
DISCLOSED TO OTHERS FOR ANY
PURPOSE EXCEPT AS SPECIFICALLY
AUTHORIZED IN WRITING BY AN
OFFICER OF SULLINS ELECTRONICS.



TITLE
104 SERIES D-SUB H.D. SOLDER CUP TYPE

PART NUMBER
SDS104-PR _ _ _ _ N _ _

SIZE	CAGE CODE	DWG. NO.	REV
C	54453	11800	C

SCALE: 1:8 SHEET 2 OF 3

SDS104-PR - - **N** -

a b c d e f g h i

a. CONTACT PLATING
 (ALL PLATINGS HAVE .000050" NICKEL UNDERPLATE)
 W = GOLD FLASH ON CONTACT SURFACE,
 .000100" PURE TIN ON TERMINATION.
 B = .000010" GOLD ON CONTACT SURFACE,
 .000100" PURE TIN ON TERMINATION.
 U = .000015" GOLD ON CONTACT SURFACE,
 .000100" PURE TIN ON TERMINATION.
 C = .000030" GOLD ON CONTACT SURFACE,
 .000100" PURE TIN ON TERMINATION.
 P = GOLD FLASH OVERALL.

b. SHELL PLATING
 1 = NICKEL
 2 = TIN (STANDARD)

c. CONTACT TYPE
 M = MALE
 F = FEMALE

d. NO. OF CONTACTS
 15 = 15 POSITIONS
 26 = 26 POSITIONS
 44 = 44 POSITIONS
 62 = 62 POSITIONS
 78 = 78 POSITIONS

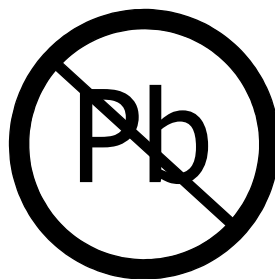
e. PIN TYPE
 S = STAMPED PIN
 M = MACHINED PIN (AVAILABLE WITH "P" PLATING ONLY)

f. FERRITE
 N = WITHOUT FERRITE

g. FLANGE MOUNTING OPTION
 0 = Ø3.05mm [Ø0.120] CLEARANCE HOLE
 1 = #4-40 FEMALE THREAD
 4 = M3 FEMALE THREAD
 8 = #4-40 UNC (5.0 X 10.0 mm [0.20 X 0.39]) FEMALE SCREWLOCK INSTALLED
 9 = #4-40 UNC (5.0 X 10.0 mm [0.20 X 0.39]) FEMALE SCREWLOCK BULK-PACKED

h. POSITION OF CLINCH NUT (SEE PAGE 2 FOR DETAILS)
 0 = Ø3.05 mm [Ø.120] CLEARANCE HOLE
 1 = FRONT RIVET, 5.9 mm [0.23]
 2 = REAR RIVET, 5.9 mm [0.23]

i. INSULATOR COLOR
 1 = BLACK (STANDARD)
 2 = BLUE
 6 = WHITE



RoHS COMPLIANT

UNLESS OTHERWISE SPECIFIED: DIMENSIONS ARE IN MM [INCHES]		DRAWN	DATE	NAME			
TOLERANCES: ANGULAR: ± 3°			07/01/2011	LH	TITLE 104 SERIES D-SUB H.D. SOLDER CUP TYPE		
DECIMALS X.=± 0.38 [.015] X.=± 0.25 [.010] .XX=± 0.13 [.005]		THE INFORMATION HEREIN CONTAINS PROPRIETARY INFORMATION OF SULLINS ELECTRONICS AND IS NOT TO BE REPRODUCED, USED OR DISCLOSED TO OTHERS FOR ANY PURPOSE EXCEPT AS SPECIFICALLY AUTHORIZED IN WRITING BY AN OFFICER OF SULLINS ELECTRONICS.			PART NUMBER SDS104-PR <u> </u> - <u> </u> <u> </u> <u> </u> - <u> </u> N <u> </u> <u> </u> - <u> </u> <u> </u>		
		SIZE	CAGE CODE	DWG. NO.	REV		
		C	54453	11800	C		
		SCALE: 1:8			SHEET 3 OF 3		