

## Peak Emission Wavelength: 880nm

The 880nm IR emitter/detector series is designed for applications requiring high output and precise optical / mechanical axis alignment. Custom package solutions and sorting are available.

### FEATURES

- > Flat Lens
- > High Output Power
- > Less Reflection
- > High Reliability

### APPLICATIONS

- > Optical Switches / Security Systems
- > Linear & Rotary Encoder
- > Card Readers / Medical Electronics



## Absolute Maximum Ratings (Ta=25°C)

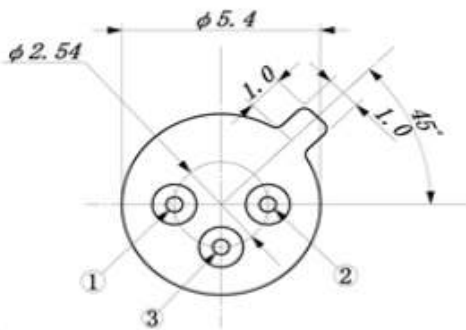
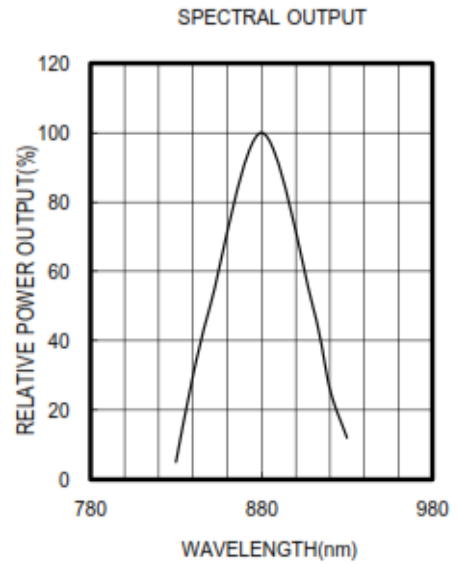
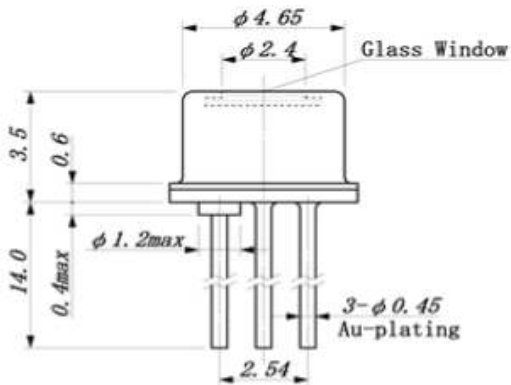


ITEMS	SYMBOL	RATINGS	UNIT
Forward Current (DC)	IF	100	mA
Forward Current (Pulse)*1	IFP	1	A
LED Reverse Voltage	VR	5	V
PD Reverse Voltage	VR	20	V
Power Dissipation	PD	180	mW
Operating Temperature Range	ToPr	-20 ~ +85	°C
Storage Temperature Range	Tstg	-30 ~ +100	°C
Lead Soldering Temperature*2	TIs	260	°C

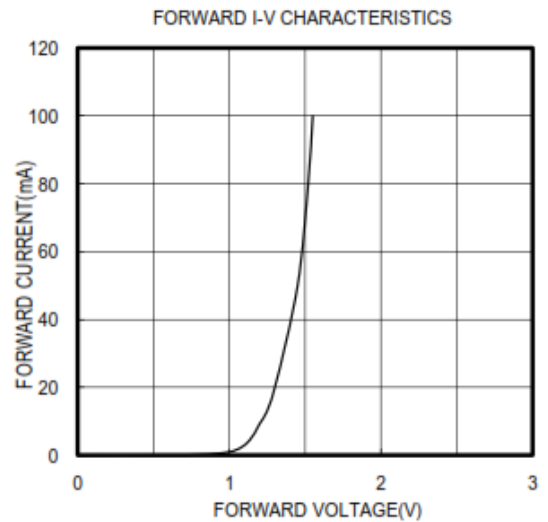
\*1: Tw=10μsec, T=10msec. \*2: Time 5Sec max, Position: Up to 3mm from the body.

## Electrical & Optical Characteristics (Ta = 25°C)

ITEMS	SYMBOL	CONDITIONS	MIN	TYP	MAX	UNIT
Power Output	PO	IF=50mA	--	2.0	--	mW
Forward Voltage	VF	IF=50mA	--	1.45	1.8	V
Reverse Current	IR	VR=5V	--	--	10	μA
PD Light Current	IL	IF=20mA, VRd=10V	--	10	--	μA
PD Dark Current	ID	VRd=10V	--	--	10	nA
Peak Emission Wavelength	λp	IF=50mA	865	880	895	nm
Spectral Line Half Width	Δλ	IF=50mA	--	60	--	nm
Half Intensity Beam Angle	Θ	IF=50mA	--	±25	--	deg



- ① LED-Anode • PD-Cathode (CASE)  
② LED-Cathode ③ PD-Anode  
Dimensions (Unit:mm)



Unit: mm, Tolerance:  $\pm 0.2$

