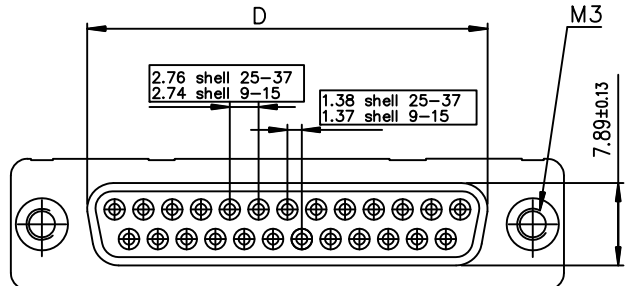
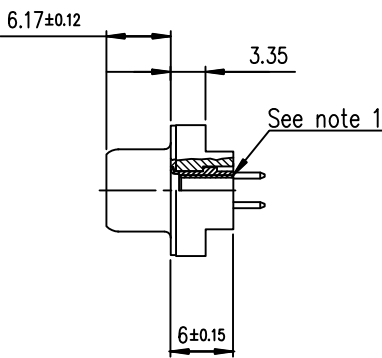
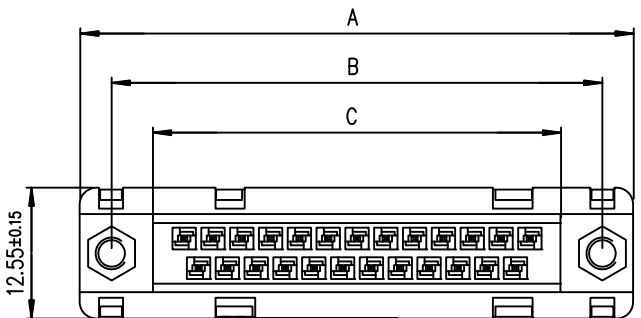


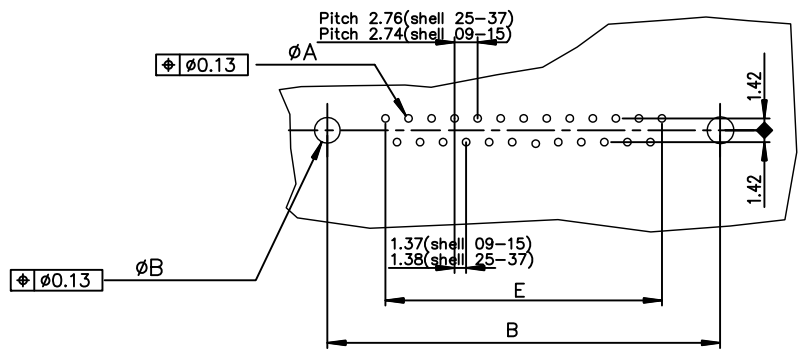
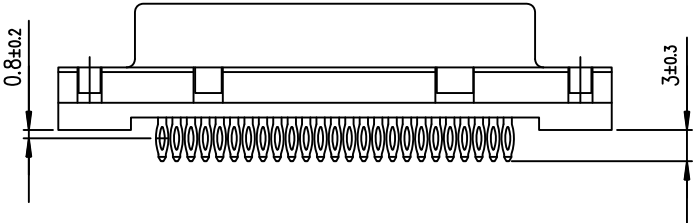


FCIconnect.com

Copyright FCI



PC board drilling dimensions(after plating)
(thickness ≤ 3.20±0.30mm)



Notes:
1) The nut can protrude above the surface of insulator but maintaining the footprint dimension 6.0±0.15 mm.

GENERAL CHARACTERISTICS AND ROHS INFORMATIONS:
SEE DRAWING C01-8646-0001

LEAD FREE PART NUMBER

SHELL	A±0.38	B±0.12	C±0.10	D±0.25	E±0.07	PART NUMBER	PART NUMBER	PART NUMBER
09	30.81	24.99	16.96	16.21	10.96	D09S91C4PL00LF	D09S91C6PL00LF	D09S91C8PL00LF
15	39.14	33.32	25.18	24.54	19.18	D15S91C4PL00LF	D15S91C6PL00LF	D15S91C8PL00LF
25	53.03	47.04	39.12	38.25	33.12	D25S91C4PL00LF	D25S91C6PL00LF	D25S91C8PL00LF
37	69.32	63.50	55.68	54.71	49.68	D37S91C4PL00LF	D37S91C6PL00LF	D37S91C8PL00LF
						gold flash	0.76µ gold	1.25µ gold

mat'l. code				surface ISO 1302			tolerance ISO 406 ISO 1101			projection		product family D-SUB							
-				✓			tolerances unless otherwise specified			MM		title FEMALE CONNECTOR DELTA-D STRAIGHT PRESS FIT							
ltr		ecn no		dr		date		angles		linear		scale 2:1		dwg no		sheet 1 of 1		size	
K		ELX-I-21256		AB		2015/07/14		0°±2'		.0±0.1 .00±0.1 .000±0.1				C01-8646-0128		A3			
				dr			engr			chr		app		type Product Customer Drawing					
				JOUBERT			ALIAS BABU			MITHUN PAUL		BIJU K PAUL							
				1995/03/24			2015/07/14			2015/07/14		2015/07/14							
sheet index		revision		K															
		sheet		1															