
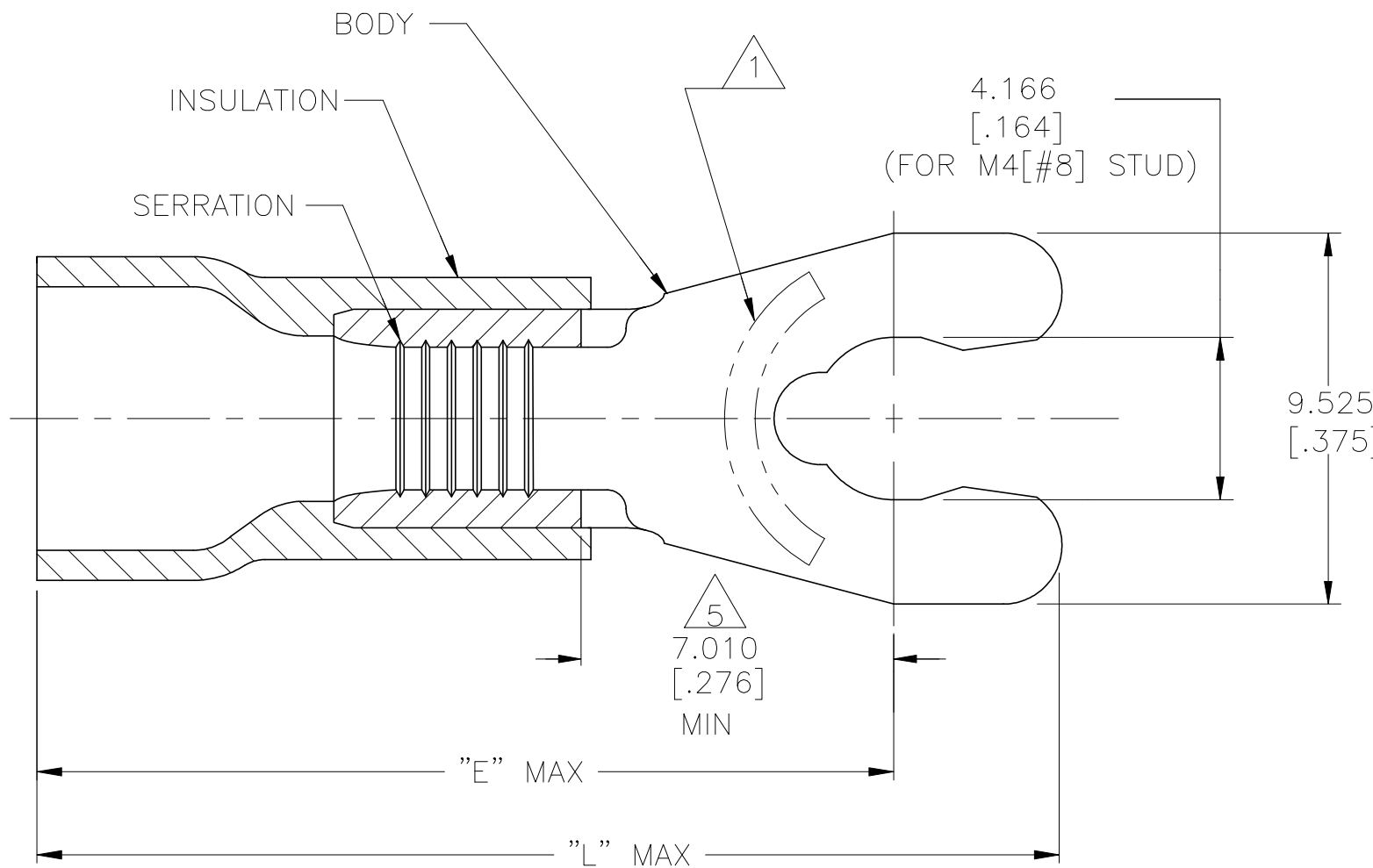



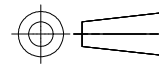
P	LTR	DESCRIPTION	DATE	DWN	APVD
P		REVISED PER ECR-23-163311	09MAR2023	BB	DSC

<b>AMP</b> WIRE RANGE	 Listed FILE E13288
12-10 AWG SOLID OR STRANDED	12 AWG STRANDED



- 1 STAMP 8S AMP 12-10\* APPROX AS SHOWN
- 2 SEE TABLE FOR WIRE INSUL DIA
- 3 BODY MATERIAL THK: 1.016±.051[.040±.002]
- 4 MATERIAL: BODY - BRASS PER ASTM B36  
INSULATION - PVC.
- 5 APPLIES FROM EDGE OF METAL WIRE BARREL TO  
CENTER OF STUD HOLE
- 6 FINISH:  
BODY - TIN PALTE 0.00254[.000100]  
MIN EXT THK PER ASTM B545  
INSUALTION COLOR - YELLOW

28.219 [1.111]	23.774 [.936]	6.350-7.620 [.250-.300]	1500	ON TAPE, REEL	52962-3
28.219 [1.111]	23.774 [.936]	6.350-7.620 [.250-.300]	500	LOOSE PIECE	52962-2
26.721 [1.052]	22.276 [.877]	2.667-5.080 [.105-.200]	2500	ON TAPE, REEL	52962-1
26.721 [1.052]	22.276 [.877]	2.667-5.080 [.105-.200]	500	LOOSE PIECE	52962
L	E	WIRE INSUL DIA	QTY	PACKAGE TYPE	PART NO

<b>AMP INCORPORATED CUSTOMER SERVICE SYSTEMS</b>		MAX RECOMMENDED OPERATING TEMPERATURE: 105°C [221°F]	THIS DRAWING IS A CONTROLLED DOCUMENT.		DWN L OLMEDA 26JUN95	 TE Connectivity			
FOR ADDITIONAL PRODUCT INFORMATION OR COPIES OF DRAWINGS AND TECHNICAL DOCUMENTS	PRODUCT INFORMATION CENTER 1-800-522-6752	VOLTAGE RATING: 600V MAX (1000V FIXTURE OR SIGN)	DIMENSIONS: mm [INCHES]	TOLERANCES UNLESS OTHERWISE SPECIFIED:	CHK M ELLIS 26JUN95			NAME TERMINAL, SPRING SPADE, SHORT, PLASTI-GRIP WIRE SIZE: 12-10	
FOR APPLICATION TOOLING INFORMATION	TOOLING ASSISTANCE CENTER 1-800-722-1111	CIRCULAR MIL AREA: 2.62-6.64mm² [5,180-13,100] SOLID OR STRANDED		0 PLC ± - 1 PLC ± - 2 PLC ± - 3 PLC ± 0.127[.005] 4 PLC ± - ANGLES ± -	APVD G NGO 26JUN95	PRODUCT SPEC UL 486A-B APPLICATION SPEC 114-2161			
FOR ORDER ENTRY	1-800-526-5142	THIS DRAWING IS A CONTROLLED DOCUMENT FOR AMP INCORPORATED. IT IS SUBJECT TO CHANGE AND THE CONTROLLING ENGINEERING ORGANIZATION SHOULD BE CONTACTED FOR THE LATEST REVISION.	MATERIAL 4	FINISH 6	WEIGHT			SIZE A3	CAGE CODE 00779
CUSTOMER DRAWING						SCALE 6:1	SHEET 1 of 1	REV P	