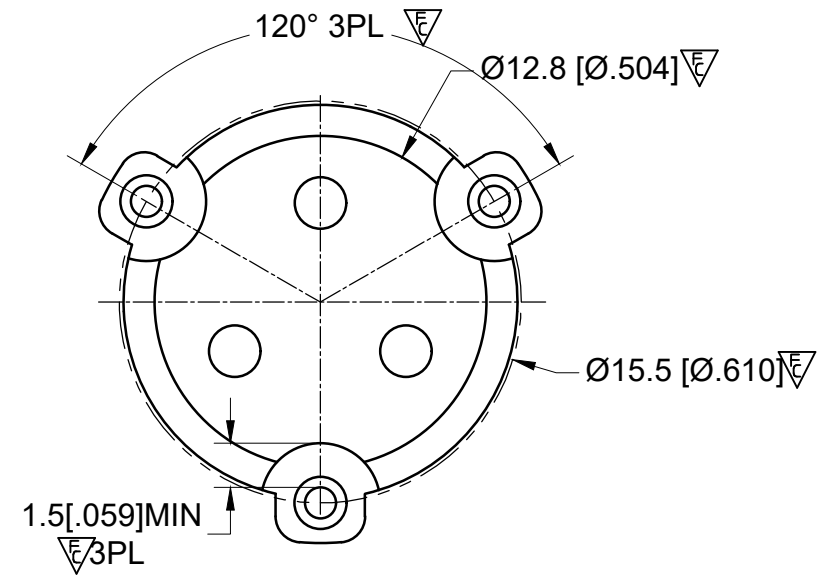
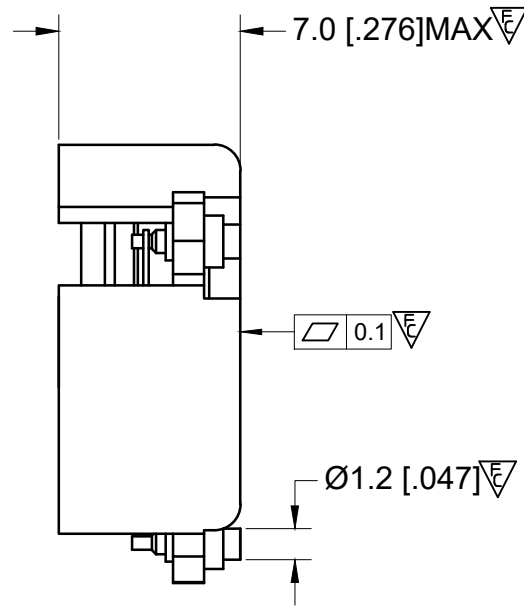
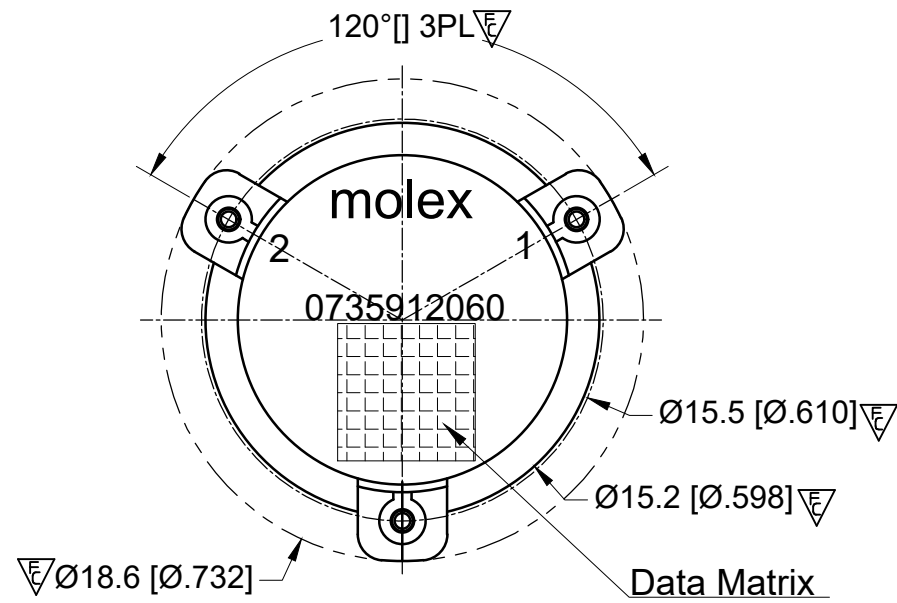
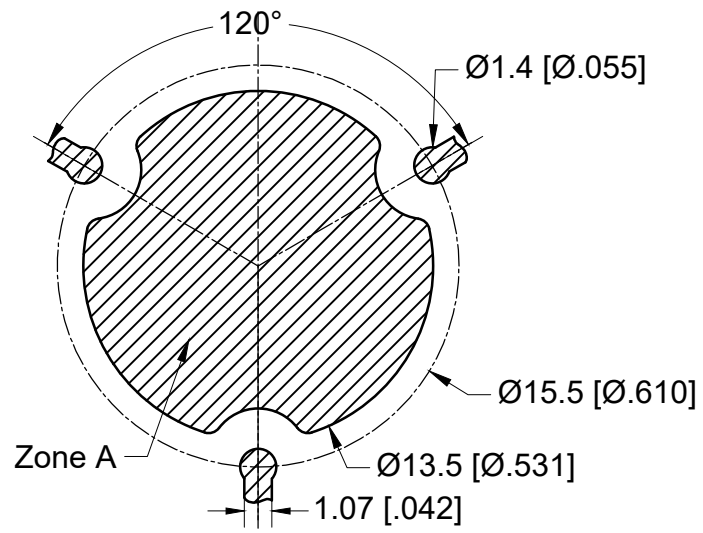
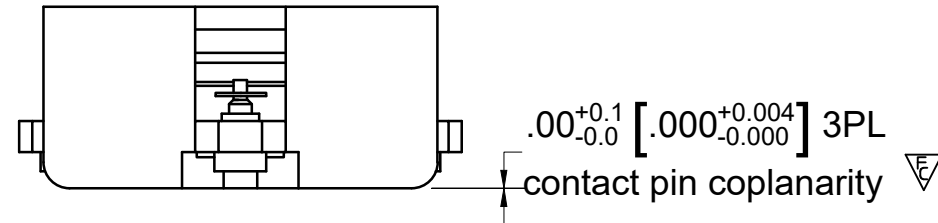


RECOMMENDED LAND PATTERN :

Zone A must be attached to heat sink. Thermal conductivity of intermediate layers between Zone A and heat sink must be better than 0.1 W / [°C x mm].



PCB Material :Rogers RO4350B,0.508mm thickness
trace width 1.07mm wide.



ELECTRICAL SPECIFICATIONS :

- Frequency Range : 2496~2690MHz
- Isolation : 22 dB min
- Return Loss : 22 dB min
- Insertion Loss : 0.25 dB max
- Attenuation (2 x TX) : 20 dB min
- (3 x TX) : 7 dB min
- (N x TX) : 5 dB min
- Average FE/REV Power : 100 W(CW) max
- Peak Power : 1000 W max
- IM3(30W x 2 tones 5M) : -69 dBc max
- Harmonics (2 x TX @ 60W CW) : 60 dBc min
- (3 x TX @ 60W CW) : 60 dBc min
- Operating temperature range : -40 to +105°C
- Storage temperature range : -40 to +125°C
- Direction : CCW

MATERIAL :

BODY : STEEL, SILVER PLATED
PIN : COPPER , SILVER PLATED

NOTES :

- 1.STANDARD INPUT/OUTPUT IMPEDANCE 50 Ohm
- 2.LEAD FREE, NO Nd MATERIAL, BeO FREE
- 3.THE DIMENSION OF DATA MATRIX IS 5.3X5.3MM INFORMATION INCLUDING WORK ORDER NUMBER-SERIAL NUMBER-MATERIAL NUMBER
- 4.THIS PART COMPLIES WITH ALL RoHS REQUIREMENTS

ENG PART#: 812-249-269-WP040

FUNCTIONAL SYMBOLS	THIS DRAWING CONTAINS INFORMATION THAT IS PROPRIETARY TO MOLEX ELECTRONIC TECHNOLOGIES, LLC AND SHOULD NOT BE USED WITHOUT WRITTEN PERMISSION										
	DIMENSION UNITS		SCALE		CURRENT REV DESC:						molex
MM		1:1		RELEASE TO PROD							
GENERAL TOLERANCES (UNLESS SPECIFIED)											
		mm		INCH		EC NO: 696580					
4 PLACES		±0.25		±----		DRWN: SREN05 2022/02/21					
3 PLACES		±0.05		±----		CHK'D: JLI252 2022/02/23					
2 PLACES		±0.13		±----		APPR: HWANG186 2022/03/01					
1 PLACE		±0.25		±----		INITIAL REVISION:					
0 PLACES		±0.4		±----		DRWN: SREN05 2021/11/12					
ANGULAR TOL ± 1.5 °		±----		±----		APPR: HWANG186 2022/03/01					
DRAFT WHERE APPLICABLE MUST REMAIN WITHIN DIMENSIONS				THIRD ANGLE PROJECTION		DRAWING		SERIES		MATERIAL NUMBER	
				A3-SIZE		73591		0735912060		CUSTOMER	
						CUSTOM PART				SHEET NUMBER	
										1 OF 1	