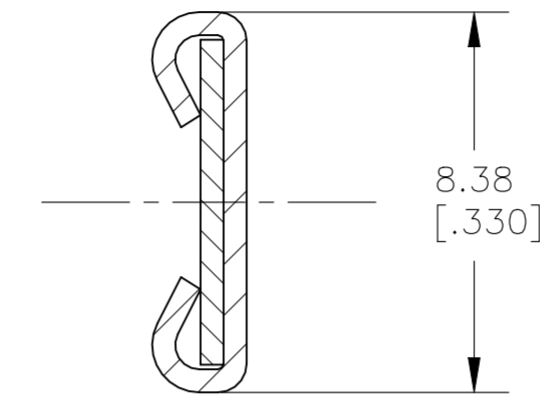
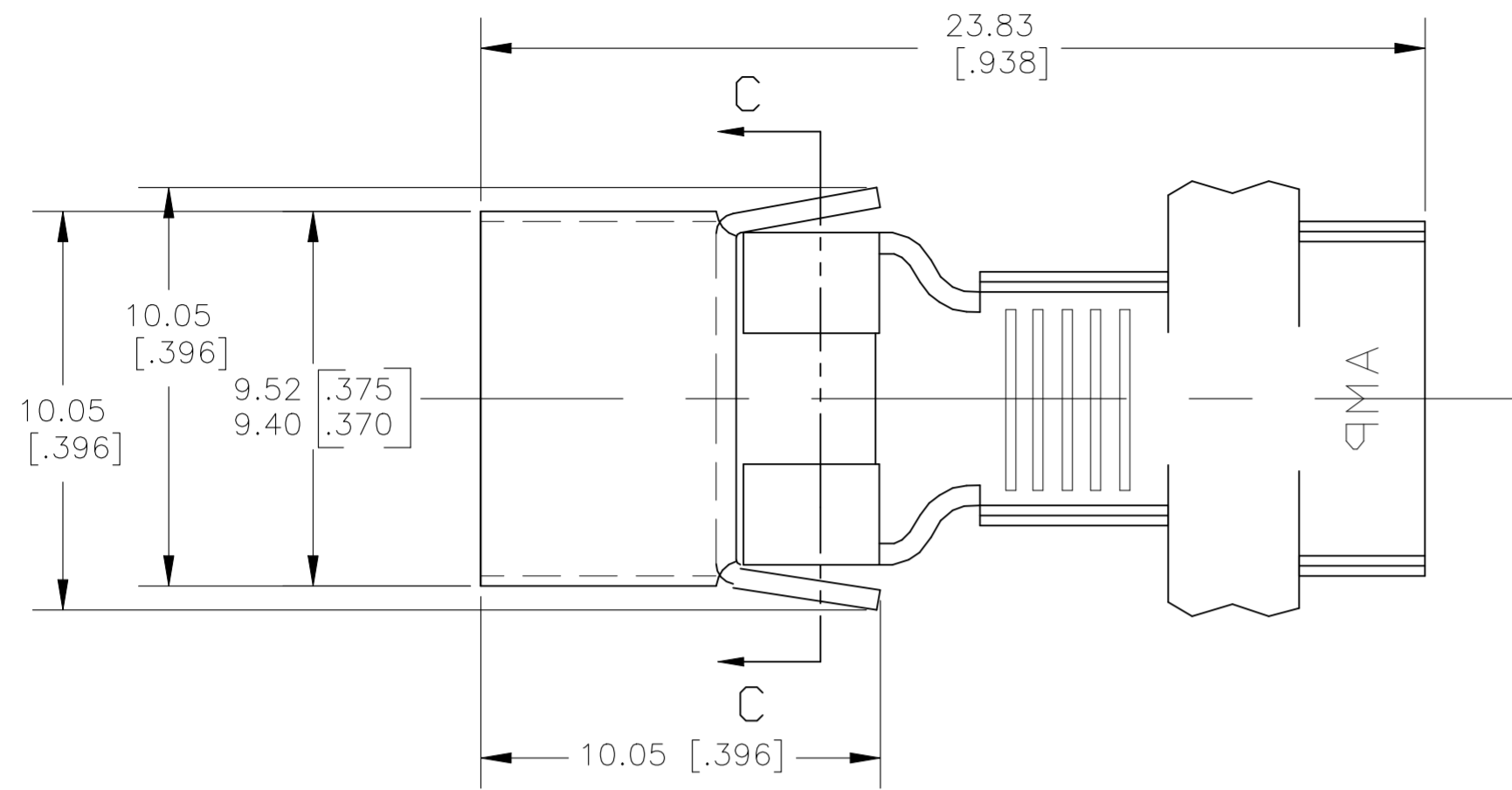


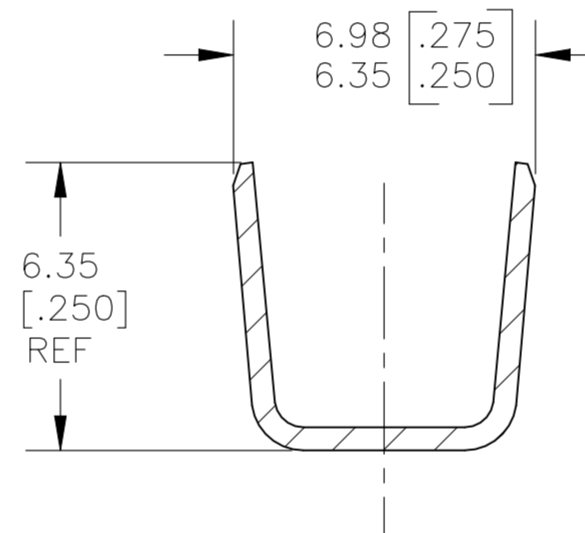
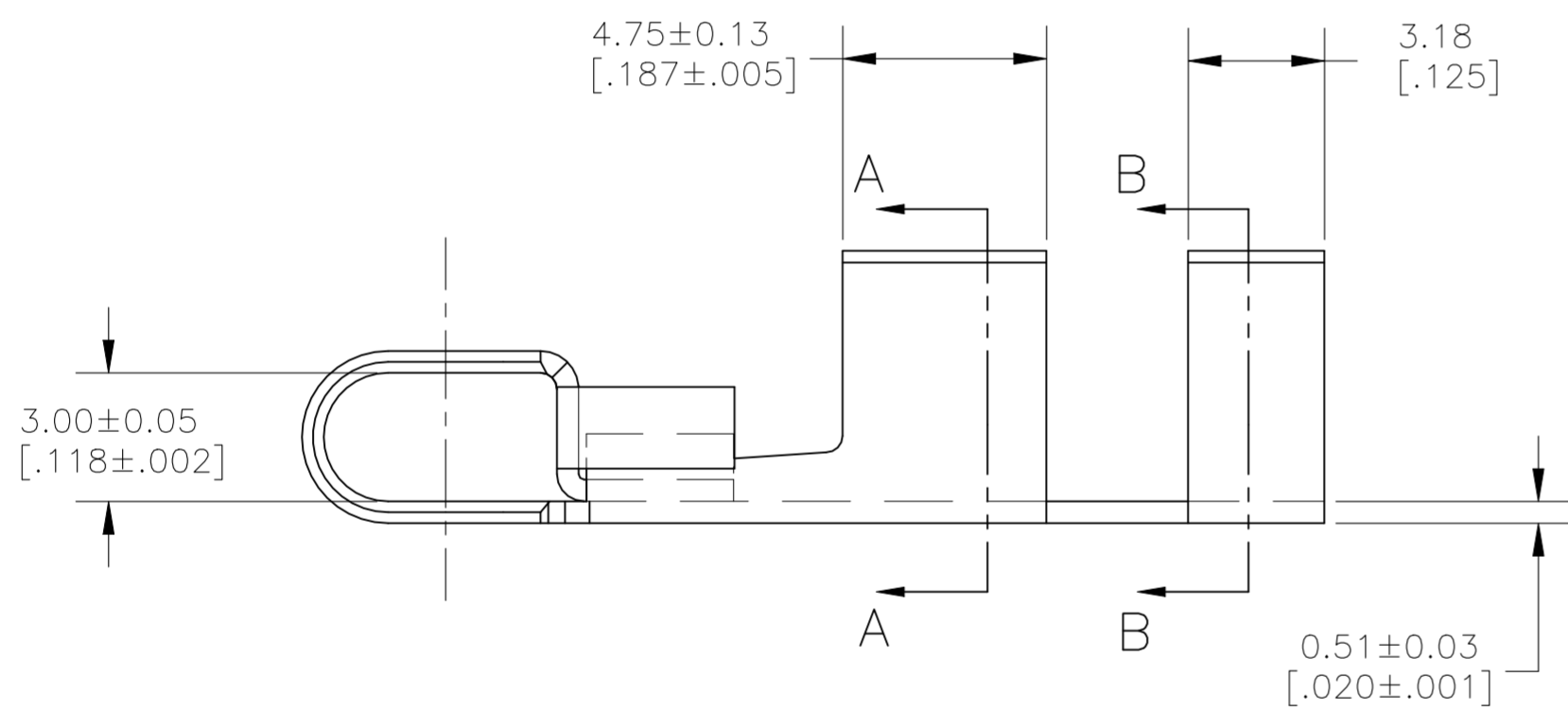
THIS DRAWING IS UNPUBLISHED. RELEASED FOR PUBLICATION
 © COPYRIGHT - By - ALL RIGHTS RESERVED.

LOC	DIST	REVISIONS					
AF	50	P	LTR	DESCRIPTION	DATE	DWN	APVD
		D7		REVISED PER ECR-22-137849	05MAY2022	PC	KR

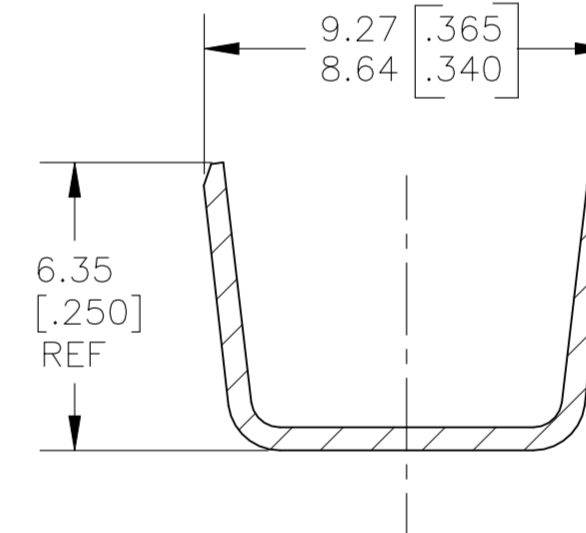


SECTION C-C

- 1 PRODUCT PROVIDED ON 19.56 [.770] CENTERS, IN STRIP FORM ON REELS. BREAKS MAY BE PRESENT.
- 2 WIRE SIZES [#14-#8 AWG] 2.08mm²-8.35mm², STRANDED.
- 3 INSULATION RANGE 1.90-4.32 [.075-.170] DIA
- 4 EXTENDED QUANTITY PACKAGING
- 5 PRELIMINARY - NOT FOR PRODUCTION.



SECTION A-A



SECTION B-B

STANDARD	POST TIN	MATERIAL	REF	PART NUMBER
		H02 CuNiSi ALLOY	5	1742539-5
4		H02 CuFeP ALLOY		1-1742539-3
STANDARD	POST TIN	TMOS CuNiSi ALLOY	5	1742539-4
STANDARD	POST TIN	H02 CuFeP ALLOY		1742539-3
SUPERSEDED BY 1742539-3	PRE-TIN	H02 CuFe ALLOY		1742539-2
OBSOLETE	POST TIN	H03 CuSnZn ALLOY		1742539-1
	Finish	Material		Part Number

THIS DRAWING IS A CONTROLLED DOCUMENT.		DWN jr ruth 01FEB07	TE Connectivity	
DIMENSIONS: MM[INCHES]		CHK GARY PORTA 01FEB07	RECEPTACLE, CLUSTER PIN, .125 DIA	
TOLERANCES UNLESS OTHERWISE SPECIFIED:		APVD GARY PORTA 01FEB07	SIZE A2	
0 PLC ± -	1 PLC ± -	PRODUCT SPEC 108-2388	CAGE CODE 00779	DRAWING NO C=1742539
2 PLC ± 0.25 [.010]	3 PLC ± -	APPLICATION SPEC 114-13244	SCALE 6:1	SHEET 1 of 1
4 PLC ± -	ANGLES ± 1°	WEIGHT -	REV D7	
MATERIAL SEE TABLE	FINISH SEE TABLE	CUSTOMER DRAWING		