

SN54S64, SN54S65, SN74S64, SN74S65

4-2-3-2 INPUT AND-OR-INVERT GATES

DECEMBER 1983 — REVISED MARCH 1988

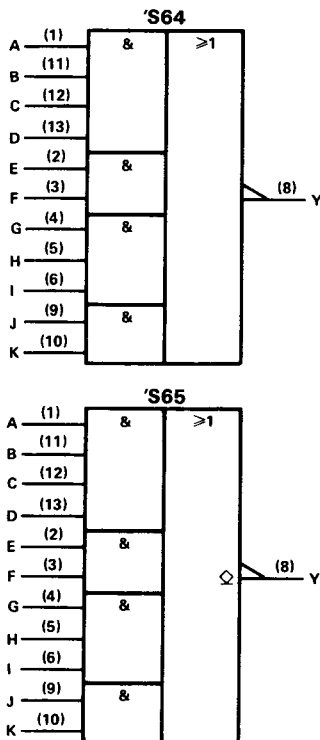
- Package Options Include Plastic "Small Outline" Packages, Ceramic Chip Carriers and Flat Packages, and Plastic and Ceramic DIPs
- Dependable Texas Instruments Quality and Reliability

description

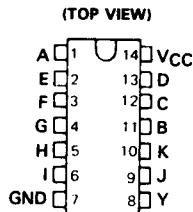
These devices contain 4-2-3-2 input AND-OR-INVERT gates. They perform the Boolean function $Y = \overline{ABCD} + EF + GHI + JK$. The 'S64 has totem-pole outputs and the 'S65 has open-collector outputs.

The SN54S64 and the SN54S65 are characterized for operation over the full military temperature range of -55°C to 125°C . The SN74S64 and the SN74S65 are characterized for operation from 0°C to 70°C .

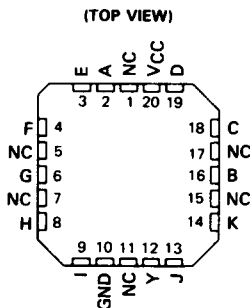
logic symbols†



SN54S64, SN54S65 . . . J OR W PACKAGE
SN74S64, SN74S65 . . . D OR N PACKAGE

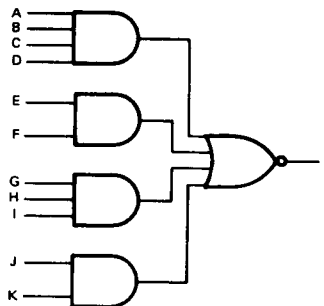


SN54S64, SN54S65 . . . FK PACKAGE



NC - No internal connection

logic diagram (each device) (positive logic)



2

TTL Devices

†These symbols are in accordance with ANSI/IEEE Std 91-1984 and IEC Publication 617-12.

Pin numbers shown are for D, J, N, and W packages.

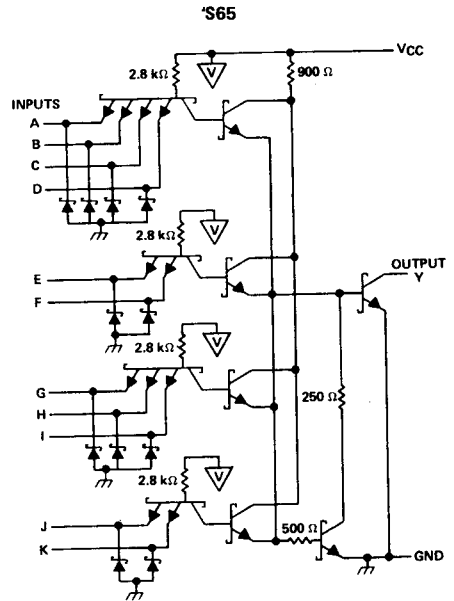
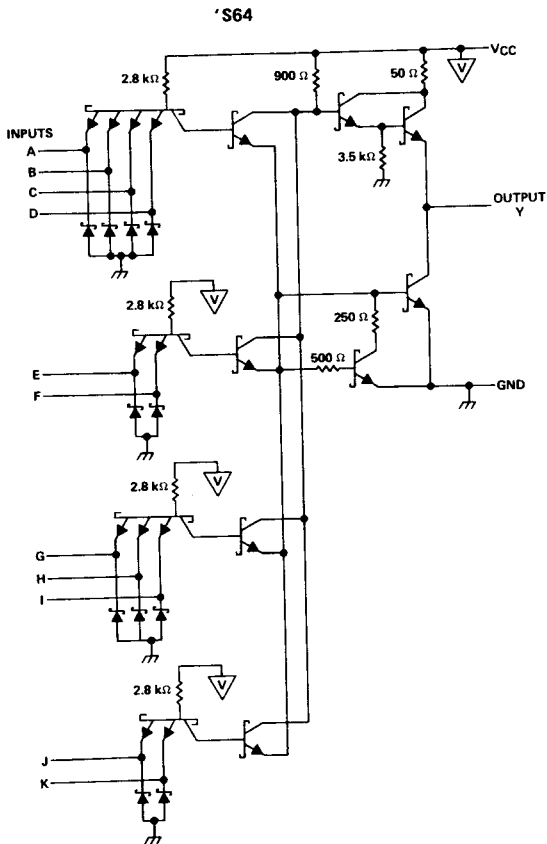
PRODUCTION DATA documents contain information current as of publication date. Products conform to specifications per the terms of Texas Instruments standard warranty. Production processing does not necessarily include testing of all parameters.

TEXAS
INSTRUMENTS

POST OFFICE BOX 655012 • DALLAS, TEXAS 75265

**SN54S64, SN54S65
SN74S64, SN74S65
4-2-3-2 INPUT AND-OR-INVERT GATES**

schematics (each gate)



Resistor values shown are nominal and in ohms.

absolute maximum ratings over operating free-air temperature range (unless otherwise noted)

Supply voltage, V_{CC} (see Note 1)	7 V
Input voltage	5.5 V
Off-state output voltage, 'S65	7 V
Operating free-air temperature range: SN54'	-55°C to 125°C
SN74'	0°C to 70°C
Storage temperature range	-65°C to 150°C

NOTE 1: Voltage values are with respect to network ground terminal.

2

TTL Devices

SN54S64, SN74S64
4-2-3-2 INPUT AND-OR-INVERT GATES

recommended operating conditions

	SN54S64			SN74S64			UNIT
	MIN	NOM	MAX	MIN	NOM	MAX	
V_{CC} Supply voltage	4.5	5	5.5	4.75	5	5.25	V
V_{IH} High-level input voltage	2			2			V
V_{IL} Low-level input voltage	0.8			0.8			V
I_{OH} High-level output current	-1			-1			mA
I_{OL} Low-level output current	20			20			mA
T_A Operating free-air temperature	-55	125		0	70		°C

electrical characteristics over recommended operating free-air temperature range (unless otherwise noted)

PARAMETER	TEST CONDITIONS †	SN54S64			SN74S64			UNIT
		MIN	TYP ‡	MAX	MIN	TYP ‡	MAX	
V_{IK}	$V_{CC} = \text{MIN}, I_I = -18 \text{ mA}$	-1.2			-1.2			V
V_{OH}	$V_{CC} = \text{MIN}, V_{IL} = 0.8 \text{ V}, I_{OH} = -1 \text{ mA}$	2.5	3.4		2.7	3.4		V
V_{OL}	$V_{CC} = \text{MIN}, V_{IH} = 2 \text{ V}, I_{OL} = 20 \text{ mA}$	0.5			0.5			V
I_I	$V_{CC} = \text{MAX}, V_I = 5.5 \text{ V}$	1			1			mA
I_{IH}	$V_{CC} = \text{MAX}, V_I = 2.7 \text{ V}$	50			50			μA
I_{IL}	$V_{CC} = \text{MAX}, V_I = 0.5 \text{ V}$	-2			-2			mA
I_{OSS} §	$V_{CC} = \text{MAX}$	-40		-100	-40		-100	mA
I_{CCH}	$V_{CC} = \text{MAX}, V_I = 0$	7 12.5			7 12.5			mA
I_{CCL}	$V_{CC} = \text{MAX}, V_I = 4.5 \text{ V}$	8.5 16			8.5 16			mA

† For conditions shown as MIN or MAX, use the appropriate value specified under recommended operating conditions.

‡ All typical values are at $V_{CC} = 5 \text{ V}, T_A = 25^\circ \text{C}$.

§ Not more than one output should be shorted at a time, and the duration of the short-circuit should not exceed one second.

switching characteristics, $V_{CC} = 5 \text{ V}, T_A = 25^\circ \text{C}$ (see note 2)

PARAMETER	FROM (INPUT)	TO (OUTPUT)	TEST CONDITIONS		MIN	TYP	MAX	UNIT
t_{PLH}	Any	Y	$R_L = 280 \Omega,$	$C_L = 15 \text{ pF}$	3.5	5.5		ns
t_{PHL}					3.5	5.5		ns
t_{PLH}			$R_L = 280 \Omega,$	$C_L = 50 \text{ pF}$	5			ns
t_{PHL}					5.5			ns

NOTE 2: Load circuits and voltage waveforms are shown in Section 1.

2
TTL Devices

SN54S64, SN74S64

4-2-3-2 INPUT AND-OR-INVERT GATES

recommended operating conditions

	SN54S65			SN74S65			UNIT
	MIN	NOM	MAX	MIN	NOM	MAX	
V _{CC} Supply voltage	4.5	5	5.5	4.75	5	5.25	V
V _{IH} High-level input voltage	2			2			V
V _{IL} Low-level input voltage	0.8			0.8			V
V _{OH} High-level output voltage	5.5			5.5			V
I _{OL} Low-level output current	20			20			mA
T _A Operating free-air temperature	-55	125		0	70		°C

electrical characteristics over recommended operating free-air temperature range (unless otherwise noted)

PARAMETER	TEST CONDITIONS†	SN54S65			SN74S65			UNIT
		MIN	TYP‡	MAX	MIN	TYP‡	MAX	
V _{IK}	V _{CC} = MIN, I _I = -18 mA	1.2			1.2			V
I _{OH}	V _{CC} = MIN, V _{IL} = 0.8 V, V _{OH} = 5.5 V				0.25			mA
	V _{CC} = MIN, V _{IL} = 0.7 V, V _{OH} = 5.5 V	0.25						
V _{OL}	V _{CC} = MIN, V _{IH} = 2 V, I _{OL} = 20 mA	0.2	0.4		0.2	0.4	V	
I _I	V _{CC} = MAX, V _I = 5.5 V	1			1			mA
I _{IH}	V _{CC} = MAX, V _I = 2.7 V	50			50			μA
I _{IL}	V _{CC} = MAX, V _I = 0.5 V	-2			-2			mA
I _{CCH}	V _{CC} = MAX, V _I = 0	6	11		6	11	mA	
I _{CCL}	V _{CC} = MAX, V _I = 4.5 V	8.5	16		8.5	16	mA	

†For conditions shown as MIN or MAX, use the appropriate value specified under recommended operating conditions.

‡All typical values are at V_{CC} = 5 V, T_A = 25°C.

switching characteristics, V_{CC} = 5 V, T_A = 25°C (see note 2)

PARAMETER	FROM (INPUT)	TO (OUTPUT)	TEST CONDITIONS		MIN	TYP	MAX	UNIT
^t PLH	Any	Y	R _L = 280 Ω,	C _L = 15 pF	2	5	7.5	ns
^t PHL					2	5.5	8.5	ns
^t PLH			R _L = 280 Ω,	C _L = 50 pF	8		ns	
^t PHL					6.5		ns	

NOTE 2: Load circuits and voltage waveforms are shown in Section 1.

2

TTL Devices