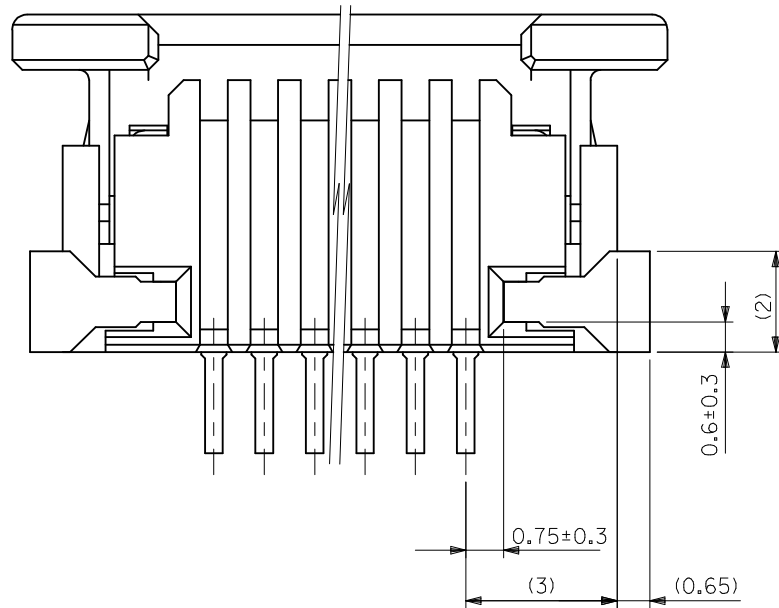


- 注記 NOTES**
- △ 接点部までの嵌合長さ。 LENGTH TO CONTACT POINT.
  - 2. 使用材料 MATERIAL
    - ハウジング : 46ナイロン, UL94V-0
    - ハウジング : 46NYLON, UL94V-0
    - アクチュエータ : PPS, UL94V-0
    - アクチュエータ : PPS, UL94V-0
    - ターミナル : リン青銅 (t=0.25)
    - ターミナル : PHOS-BRO.(t=0.25)
    - メッキ : Sn-Pb(9:1), 下地Cu
    - メッキ : PLATING : Sn-Pb(9:1), Cu(Under PLATING)
    - 金具 : 銅合金 (t=0.25)
    - 金具 : FITTING NAIL : COPPER ALLOY (t=0.25)
    - メッキ : Sn-Pb(9:1), 下地Cu
    - メッキ : PLATING : Sn-Pb(9:1), Cu(Under PLATING)
  - △ パターンはくり止め用金具。 FITTING NAIL FOR PREVENTION OF PEELING OF P.C.B.PATTERN.
  - 4. エンボステープ梱包時は、アクチュエータがロックした状態とする。 WHEN CONNECTOR IS SHIPPED, ACTUATOR SHOULD BE LOCKED.
  - △ FPC挿入深さ。 INSERTION DEPTH OF FPC
  - △ パターン書き込み禁止エリア。 NO FOOT PRINT AREA.

35	31.2	29	52271-3017	30
31	27.2	25	-2617	26
29	25.2	23	-2417	24
28	24.2	22	-2317	23
23	19.2	17	-1817	18
22	18.2	16	-1717	17
20	16.2	14	-1517	15
18	14.2	12	-1317	13
16	12.2	10	-1117	11
15	11.2	9	-1017	10
14	10.2	8	-0917	9
13	9.2	7	-0817	8
10	6.2	4	-0517	5
9	5.2	3	52271-0417	4
C	B	A	ENG. NO.	種数 CKT.

REVISED EC NO: J2015-0013 DRWN: AOKAJIMA 2014/07/03 CHKD: YKOBAYASHI 02/2014/07/03 APPR: YNOGAWA 2014/07/17	DESCRIPTION	GENERAL TOLERANCES (UNLESS SPECIFIED)		DIMENSION STYLE MM ONLY		SCALE ---	DESIGN UNITS METRIC	THIRD ANGLE PROJECTION		
		10 UNDER	±0.2	DRAWN BY TNIITSU	DATE 1996/10/15	TITLE 1.0 FPC CONN ZIF SMT (BOTTOM CONTACT)				
		10 OVER 30 UNDER	±0.25	CHECKED BY MFUKUSHIMA	DATE 1997/07/14					
		30 OVER	±0.3	APPROVED BY MFUKUSHIMA	DATE 1977/07/14					
W	REV	ANGULAR ±3 °	DRAFT WHERE APPLICABLE MUST REMAIN WITHIN DIMENSIONS	SEE CHART		DOCUMENT NO. SD-52271-042		SHEET NO. 1 OF 2		
				SIZE A3	THIS DRAWING CONTAINS INFORMATION THAT IS PROPRIETARY TO MOLEX INCORPORATED AND SHOULD NOT BE USED WITHOUT WRITTEN PERMISSION					

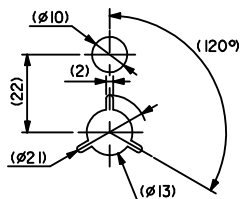
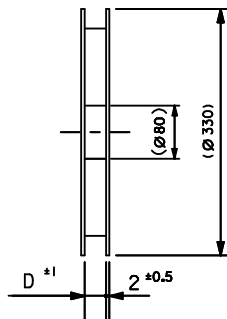
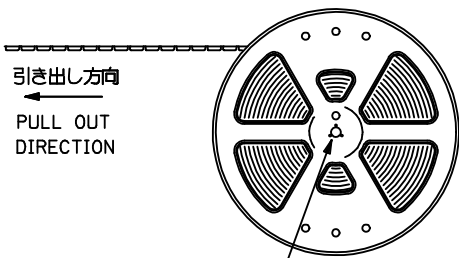
10 9 8 7 6 5 4 3 2 1



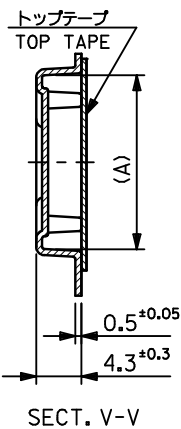
下面図

SEE SHEET 1 OF 2 EC NO: J2015-0013 DRWN: AOKA J IMA 2014/07/03 CH'KD: YKOBAYASHI 022014/07/03 APPR: YNOGAWA 2014/07/17	GENERAL TOLERANCES (UNLESS SPECIFIED)		DIMENSION STYLE MM ONLY	SCALE ---	DESIGN UNITS METRIC	THIRD ANGLE PROJECTION
	10 UNDER	±0.2	DRAWN BY TNIITSU	DATE 1996/10/15	TITLE 1.0 FPC CONN ZIF SMT (BOTTOM CONTACT)	
	10 OVER 30 UNDER	±0.25	CHECKED BY MFUKUSHIMA	DATE 1997/07/14		
	30 OVER	±0.3	APPROVED BY MFUKUSHIMA	DATE 1997/07/14	molex DOCUMENT NO. SD-52271-042 SHEET NO. 2 OF 2	
ANGULAR ±3 °		MATERIAL NO. SEE SHEET 1 OF 2				
DRAFT WHERE APPLICABLE MUST REMAIN WITHIN DIMENSIONS		THIS DRAWING CONTAINS INFORMATION THAT IS PROPRIETARY TO MOLEX INCORPORATED AND SHOULD NOT BE USED WITHOUT WRITTEN PERMISSION				

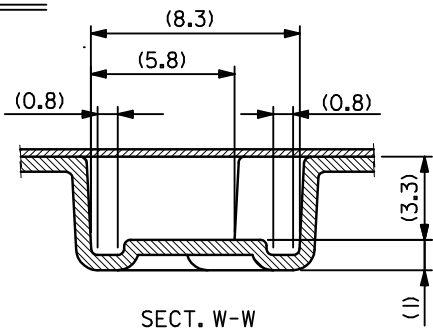
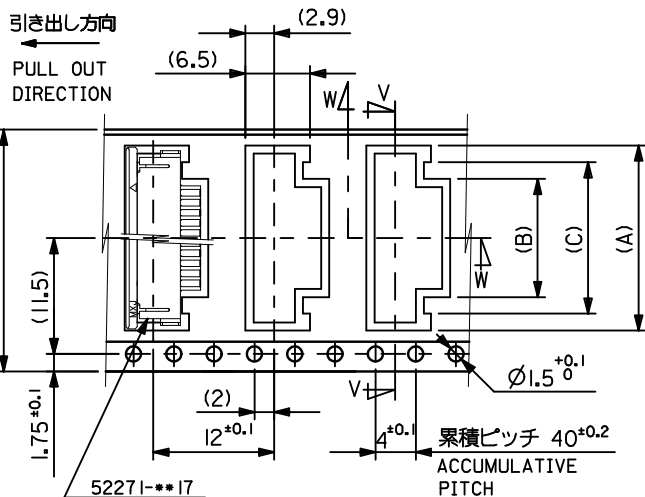
9 8 7 6 5 4 3 2



DETAIL "E"



SECT. V-V



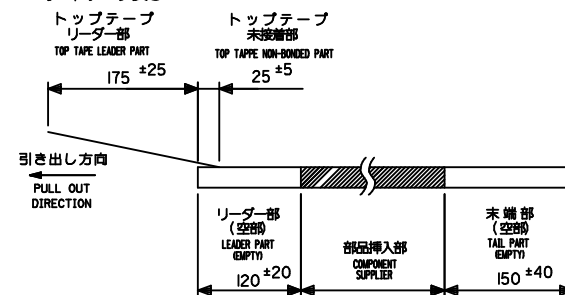
SECT. W-W

NOTES

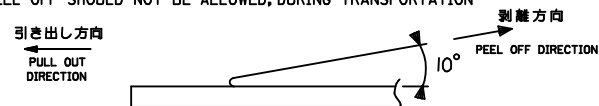
1. 製品番号 52271-\*\*17 の梱包状態はアクチュエータがロックした状態とする。  
詳細寸法については 図面 SD-52271-042 を参照下さい。  
IN THE PACKAGE, ACTUATOR OF PART NO. 52271-\*\*17 SHOULD BE LOCKED  
RE DETAILED DIMENSIONS, SEE SD-52271-042

2. 梱包数量: 1000個/リール  
NUMBER OF CONNECTORS: 1000 PCS/REEL

3. リードテープ長さ LEAD TAPE LENGTH



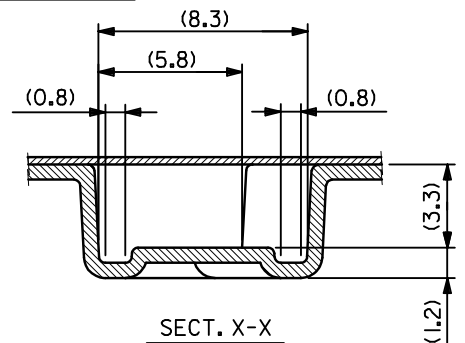
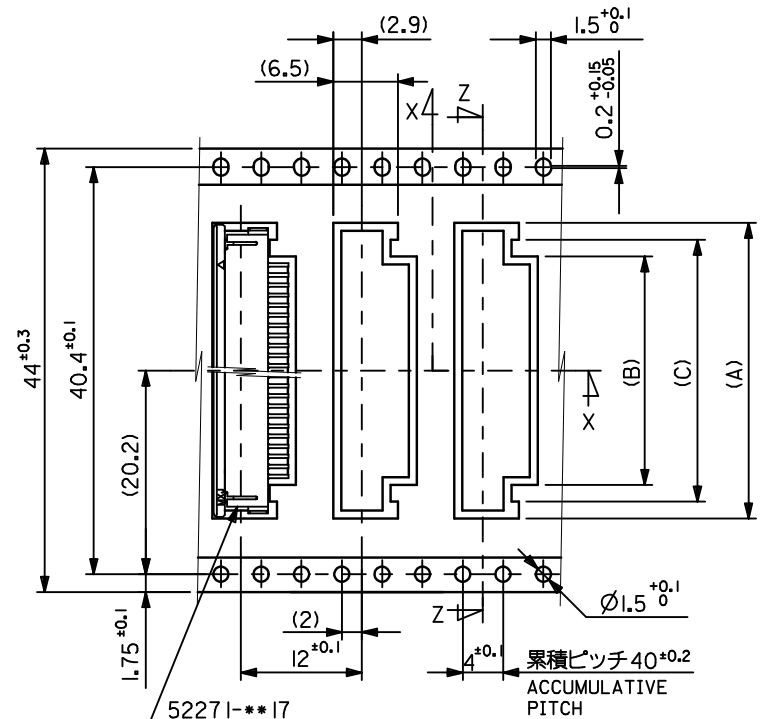
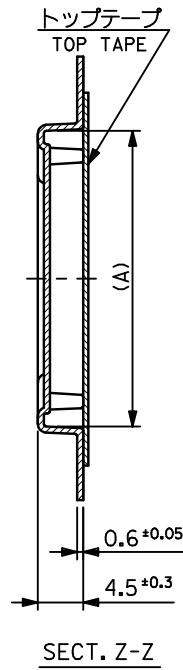
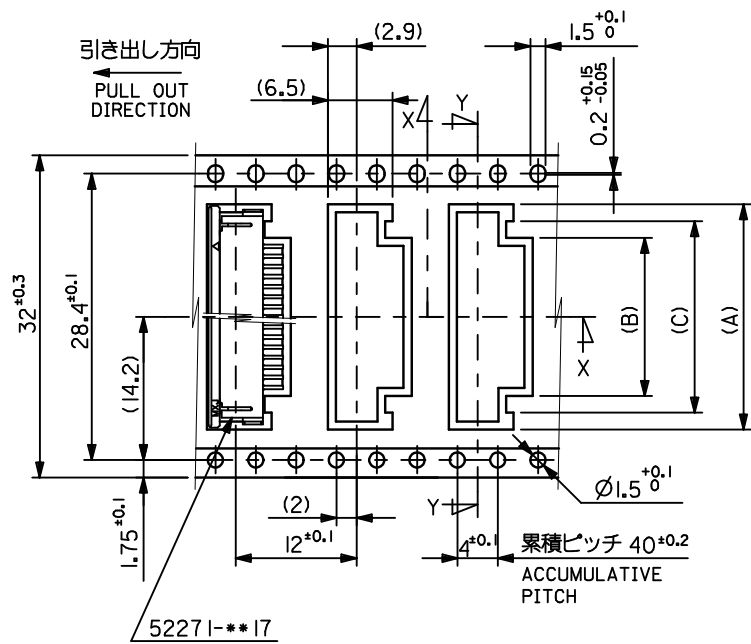
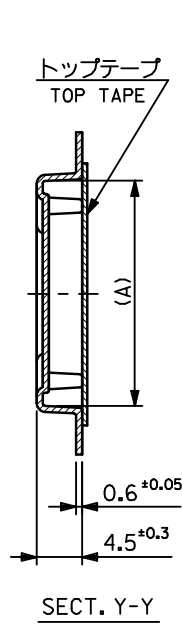
4. トップテープの剥離強度: 60gf MAX. (剥離方向は下図参照)  
尚、本規格値は、出荷時に適用。(但し、輸送時に剥離が発生しない事。)  
PEELING OFF FORCE OF TOP TAPE: 60gf MAX.  
(PEELING DIRECTION AS SHOWN IN FOLLOWING FIG.)  
THIS REQUIREMENT SHOULD BE APPLIED AT SHIPMENT  
PEEL OFF SHOULD NOT BE ALLOWED, DURING TRANSPORTATION



5. 材料 (MATERIAL)  
キャリアテープ (CARRIER TAPE): ポリプロピレン (POLYPROPYLENE)  
トップテープ (TOP TAPE): PET, PE, PEF  
リール (REEL): ポリスチレン (PS) <リサイクル材を含む>  
POLYSTYREN (PS) <RECYCLE MATERIAL CONTAINED>

24	25.5	15	11.4	18.3	52271-1190	11
		14	10.4	17.3	-1090	10
		13	9.4	16.3	-0990	9
		12	8.4	15.3	-0890	8
		9	5.4	12.3	-0590	5
		8	4.4	11.3	52271-0490	4
キャリアテープ幅 CARRIER TAPE WIDTH	D	(C)	(B)	(A)	MATERIAL NO.	極数 CKT.

REVISED EC NO: J2015-0013 DRAWN: AOKAJIMA 2014/07/03 CHKD: YKOBAYASHI 02/2014/07/03 APPR: YNOGAWA 2014/07/17	DESCRIPTION	GENERAL TOLERANCES (UNLESS SPECIFIED)		DIMENSION STYLE MM ONLY		SCALE ---		DESIGN UNITS METRIC		THIRD ANGLE PROJECTION		
		10 UNDER	±0.2	DRAWN BY	DATE	TITLE EMBOSSED TAPE PACKAGE FOR 52271-**17						
		10 OVER 30 UNDER	±0.25	CHECKED BY	DATE							
		30 OVER	±0.3	APPROVED BY	DATE							
REV	ANGULAR	±3 °	DRAFT WHERE APPLICABLE MUST REMAIN WITHIN DIMENSIONS		MATERIAL NO.		DOCUMENT NO.		SHEET NO.			
				SIZE	THIS DRAWING CONTAINS INFORMATION THAT IS PROPRIETARY TO MOLEX INCORPORATED AND SHOULD NOT BE USED WITHOUT WRITTEN PERMISSION							



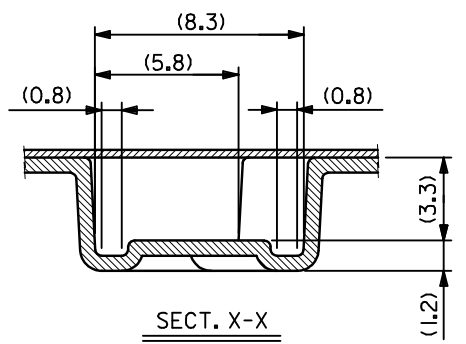
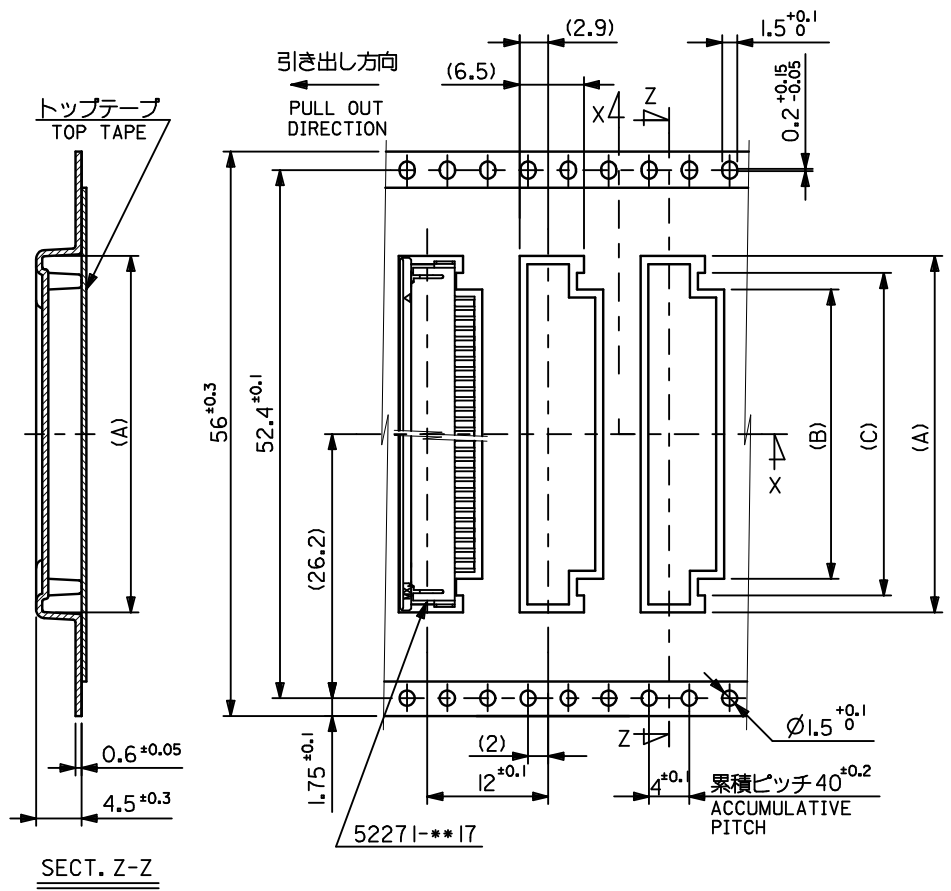
44	45.5	30	26.4	33.35	52271-2690	26
		28	24.4	31.35	-2490	24
		27	23.4	30.35	-2390	23
		22	18.4	25.35	-1890	18
		21	17.4	24.35	-1790	17
32	33.5	19	15.4	22.35	-1590	15
		17	13.4	20.35	52271-1390	13
		(C)	(B)	(A)	MATERIAL NO.	種数 CKT.

キャリアテープ幅  
CARRIER TAPE WIDTH  
D

fb\_frame\_A3\_J\_ME\_S  
Rev G 2012/01/25

REVISED EC NO.: J2015-0013 DRWN: AOKAJIMA 2014/07/03 CHKD: YKOBAYASHI 022014/07/03 APPR: YNOGAWA 2014/07/17	GENERAL TOLERANCES (UNLESS SPECIFIED)	DIMENSION STYLE MM ONLY	SCALE ---	DESIGN UNITS METRIC	THIRD ANGLE PROJECTION	
	10 UNDER ±0.2 10 OVER 30 UNDER ±0.25 30 OVER ±0.3	DRAWN BY STADOKORO	DATE 1988/09/29	TITLE EMBOSSED TAPE PACKAGE FOR 52271-**17		
	ANGULAR ±3 ° DRAFT WHERE APPLICABLE MUST REMAIN WITHIN DIMENSIONS	CHECKED BY SKUNISHI	DATE 2000/12/20	APPROVED BY MFUKUSHIMA		
		MATERIAL NO. SEE CHART	DATE 2000/12/20	DOCUMENT NO. SD-52271-043	SHEET NO. 2 OF 3	

SIZE  
A3  
THIS DRAWING CONTAINS INFORMATION THAT IS PROPRIETARY TO MOLEX  
INCORPORATED AND SHOULD NOT BE USED WITHOUT WRITTEN PERMISSION



REVISED	EC NO: J2015-0013	2014/07/03
	DRWN: AOKAJIMA	2014/07/03
	CHKD: YKOBAYASHI	2014/07/03
	APPR: YNOGAWA	2014/07/17
DESCRIPTION	GENERAL TOLERANCES (UNLESS SPECIFIED)	
REV	10 UNDER	±0.2
	10 OVER 30 UNDER	±0.25
	30 OVER	±0.3
	ANGULAR	±3 °
	DRAFT WHERE APPLICABLE MUST REMAIN WITHIN DIMENSIONS	

56	57.5	34	30.4	37.35	52271-3090	30
キャリアテープ幅 CARRIER TAPE WIDTH		D	(C)	(B)	(A)	MATERIAL NO. 種数 CKT.
DIMENSION STYLE MM ONLY			SCALE ---	DESIGN UNITS METRIC		THIRD ANGLE PROJECTION
DRAWN BY STADOKORO		DATE 1988/09/29		TITLE EMBOSSD TAPE PAKEGE FOR 52271-**-17		
CHECKED BY SKUNISHI		DATE 2000/12/20				
APPROVED BY MFUKUSHIMA		DATE 2000/12/20				
MATERIAL NO.		SEE CHART		DOCUMENT NO. SD-52271-043		SHEET NO. 3 OF 3
THIS DRAWING CONTAINS INFORMATION THAT IS PROPRIETARY TO MOLEX INCORPORATED AND SHOULD NOT BE USED WITHOUT WRITTEN PERMISSION						