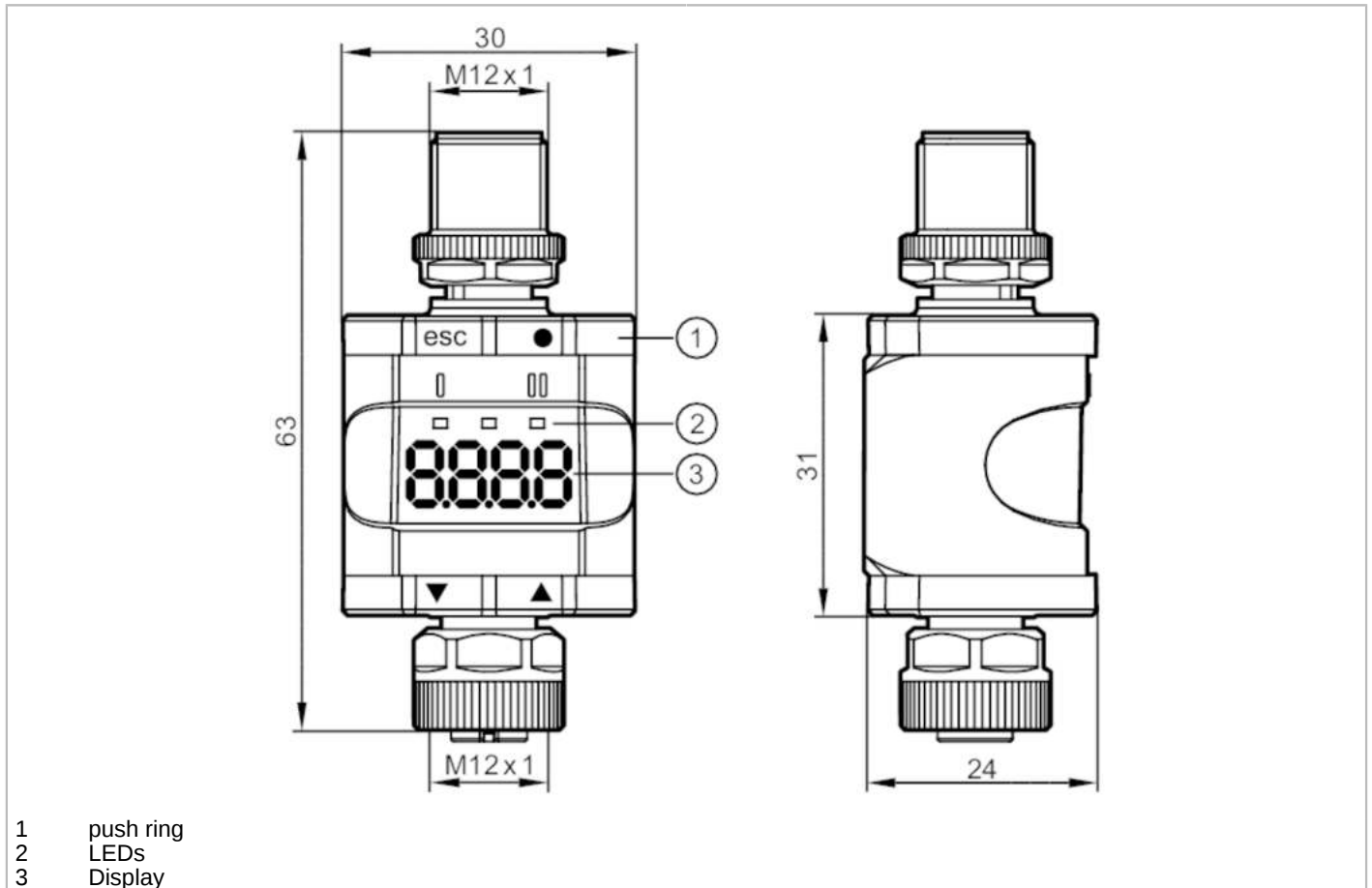


# DP2122



## Speed monitor IO-Link - 0...2000 Hz

Monitoring Display-Speed



Product characteristics	
Number of inputs and outputs	Number of digital inputs: 1; Number of digital outputs: 2
Communication interface	IO-Link
DP2122_FREQ / CMPT = 1	
Measuring range [Hz]	0.1...2000
DP2122_REVL / CMPT = 2	
Measuring range [U/min]	1...120000
Electrical data	
Operating voltage [V]	18...30 DC; (to SELV/PELV)
Nominal voltage DC [V]	24
Current consumption [mA]	< 380
Max. current load total [A]	0.2
Inputs / outputs	
Number of inputs and outputs	Number of digital inputs: 1; Number of digital outputs: 2
Inputs	
Number of digital inputs	1; (IEC61131-2)
Input current limitation [mA]	200



## Speed monitor IO-Link - 0...2000 Hz

Monitoring Display-Speed

Outputs		
Electrical design		PNP/NPN
Number of digital outputs		2
Output function		normally open / normally closed; (parameterisable)
Short-circuit proof		yes
Measuring/setting range		
DP2122_FREQ / CMPT = 1		
Measuring range	[Hz]	0.1...2000
DP2122_REVL / CMPT = 2		
Measuring range	[U/min]	1...120000
Accuracy / deviations		
Hysteresis	[%]	0.5...100
Interfaces		
Communication interface		IO-Link
Transmission type		COM2 (38,4 kBaud)
IO-Link revision		1.1
SDCI standard		IEC 61131-9
Profiles		Smart Sensor: Measuring Sensor (High resolution, Disable function); Identification and Diagnosis; Switching Signal Channel; Adjustable Switching Signal Channel
SIO mode		yes
Required master port type		A
Process data binary		1
Min. process cycle time	[ms]	4.3
Supported DeviceIDs	Type of operation	DeviceID
	DP2122_FREQ / CMPT = 1	1167
	DP2122_REVL / CMPT = 2	1294
Operating conditions		
Ambient temperature	[°C]	-25...60
Note on ambient temperature		2000 m: -25...60 °C 3000 m: -25...53 °C 4000 m: -25...51 °C
Storage temperature	[°C]	-25...60
Max. relative air humidity	[%]	90; (linearly decreasing to 50 % (40 °C) non condensing)
Max. height above sea level	[m]	4000
Protection		IP 67
Pollution degree		2
Tests / approvals		
MTTF	[years]	317
Mechanical data		
Weight	[g]	83.8
Weight (without accessories and packaging)	[g]	35
Dimensions	[mm]	63 x 30 x 24
Materials		housing: PA

# DP2122



## Speed monitor IO-Link - 0...2000 Hz

Monitoring Display-Speed

Displays / operating elements		
Display	operation	1 x LED, green 7-segment LED display, green/red configurable
Operating elements	2	push ring
Accessories		
Accessories (optional)		mounting clip
Remarks		
Remarks	For further information please see the operating instructions.	
Pack quantity	1 pcs.	
Electrical connection - plug		



- 1: L+            supply voltage
- 2: OUT2        digital output 2
- 3: L-            supply voltage
- 4: OUT1        IO-Link C/Q

Electrical connection - socket	
1: L+	
2:	Enable input
3: L-	
4:	digital input 1
5:	not used