



100mm Left Mecanum Wheel with 4mm Shaft Connector (SPCC)

SKU: 87055 Weight: 560.00 Gram

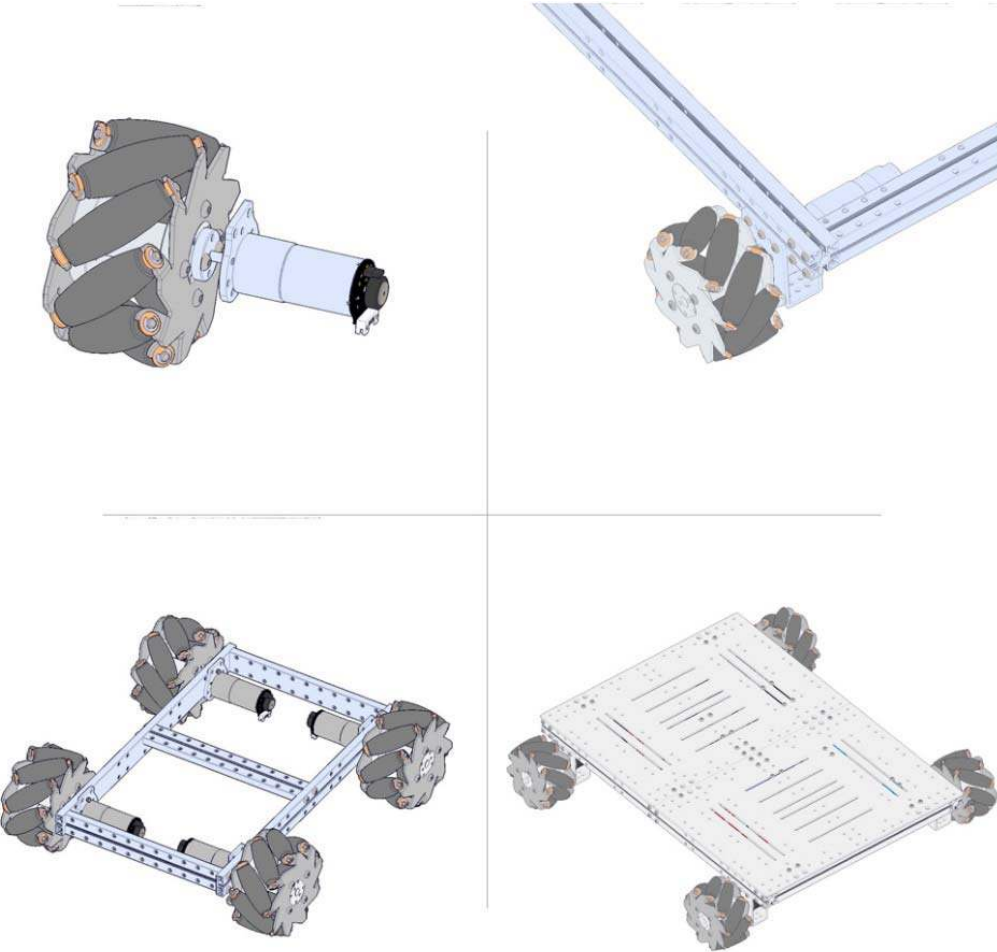
What Is 100mm Mecanum Wheel?

Makeblock Mecanum wheels allow your robot to not only travel forward and backward, but also side to side. With 4 mecanum wheels, you can build a car/robot that can move in all direction. This wheel is supposed to work together with other 3 Mecanum wheels (2 right, 1 left).

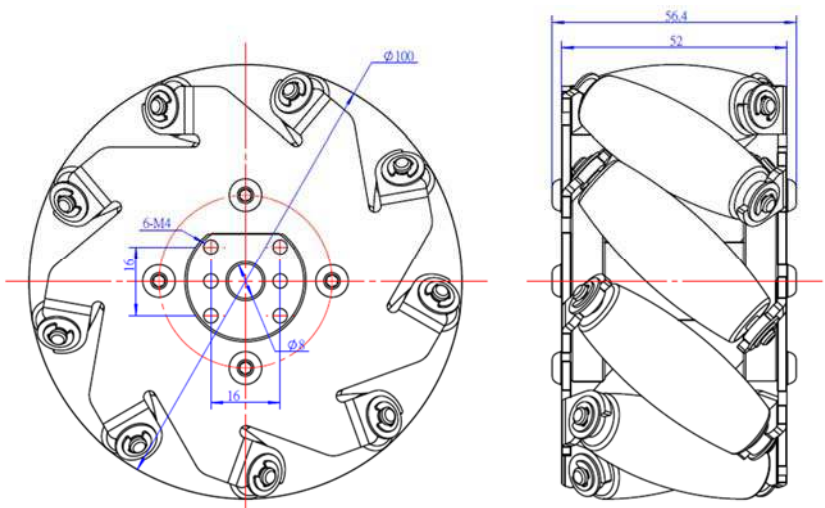
Features

- ? Mecanum wheels allow a robot to achieve omni-directional movement while supporting large weights;
- ? with all Makeblock parts;
- ? Work with encoder motor or stepper motor;
- ? Compatible with 4mm and 8mm motor shaft;
- ? Cold rolled SPCC steel made, strong rigidity and high impact resistance;
- ? Easy to assemble;

Demo:



Size Chart:



Specifications

SKU	87055
Product Name	100mm Left Mecanum Wheel with 4mm Shaft Connector (SPCC)
Gross Weight	560g (19.75oz)
Diameter	4 inches (100mm)
Width	52mm
Rollers	9 x Rubber Roller
Plates	2 x SPCC Plate
Load Capacity	30KG
Package Content (Quantity x Part Name)	1 x Left Mecanum Wheel 1 x 4mm shaft connector 2 x Screw M4*14 2 x Headless Set Screw M3*5



<https://store.makeblock.com/100mm-left-mecanum-wheel-with-4mm-shaft-connector-spcc/2-8-19>