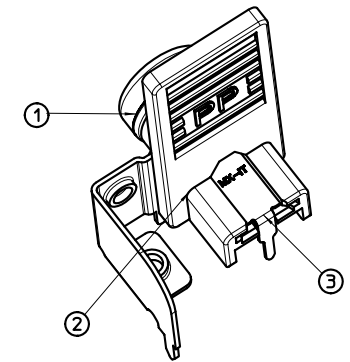
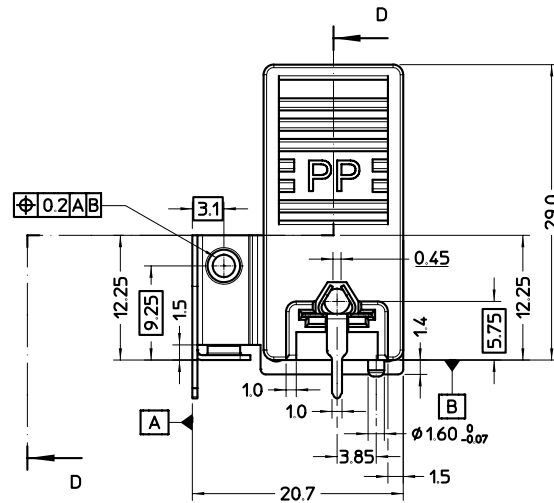
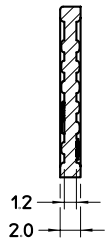
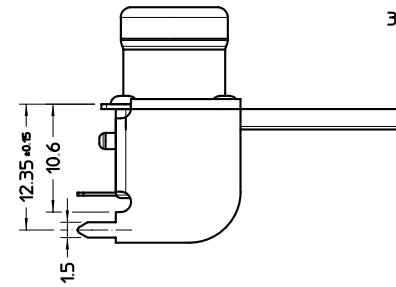
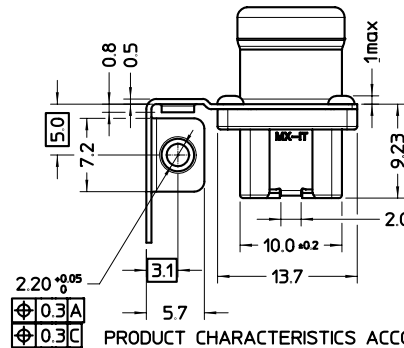
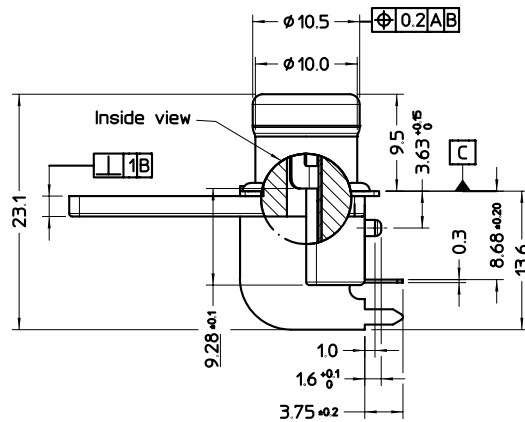


Section D-D

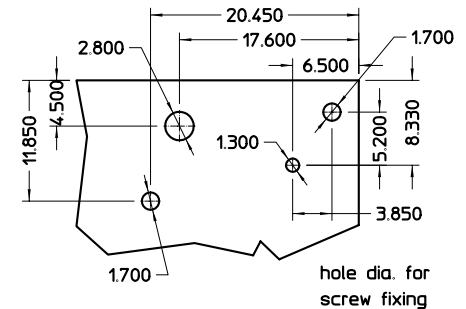


NOTES:
MATING PIN DIA = 2.40⁺⁰_{-0.05}

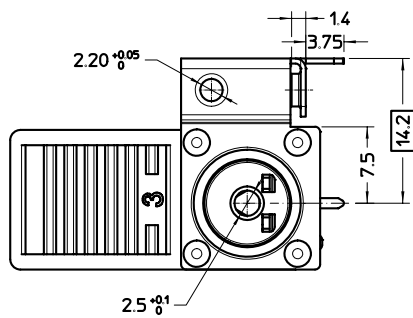
- 1 METAL SHELL-mat'l: Brass CuZn33
-plating: post tin plated
- 2 PLASTIC HOUSING-mat'l: Polyprop. 30% g.f.
- 3 TERMINAL-mat'l: PhBz CuSn8 hard
plating: tin preplated stock



PRODUCT CHARACTERISTICS ACCORDING TO PS-94487-006
PRIMARY PACKAGING: LOOSE IN CARDBOARD BOXES (90 pcs/box)
SHIPPING CARTON UNIT WITH 9 BOXES
SPQ: 810 pzs.
SIGNIFICANT AND MAJOR CHARACTERISTICS: SEE SEPARATE LIST



PCB LAY-OUT: view from component side
PCB THICKNESS: 1.6 +/-0.1 mm



Std description: AERIAL CONNECTOR SOCKET ISO

EC NO: Z2001-0070 DRWN: FGOTTARD 2000/11/30 CHKD: MTESTAG 2000/12/04 APPR: GZJUN 2000/12/04 REV: A	QUALITY SYMBOLS	GENERAL TOLERANCES (UNLESS SPECIFIED)	SCALE 3:1	DESIGN UNITS METRIC	FIRST ANGLE PROJECTION	REVISE ON CAD ONLY
	▼ -0 ▽ -0	mm	INCH	DIMENSION STYLE MM ONLY		TITLE AERIAL CONNECTOR SOCKET -ISO-
		4 PLACES ± --- ± ---		DRAWN BY FGOTTARD	DATE 1999/04/19	
		3 PLACES ±0.05 ± ---		CHECKED BY MTESTAGU	DATE 1999/04/19	
	2 PLACES ±0.10 ± ---		APPROVED BY RMARTUCC	DATE 1999/04/19	MATERIAL NO. 94487-0001 DOCUMENT NO. SD-94487-001 SHEET NO. 1 OF 1	
	1 PLACE ±0.10 ± ---		DRAFT WHERE APPLICABLE MUST REMAIN WITHIN DIMENSIONS		THIS DRAWING CONTAINS INFORMATION THAT IS PROPRIETARY TO MOLEX INCORPORATED AND SHOULD NOT BE USED WITHOUT WRITTEN PERMISSION	