



SPECIFICATIONS

Contact Rating: Gold .4VA max. @ 20 VDC or VAC Max.
 0.1 Amps @ 5 VDC
 1 Amps @ 125-UL, CSA
 3 Amps @ 125-UL, CSA

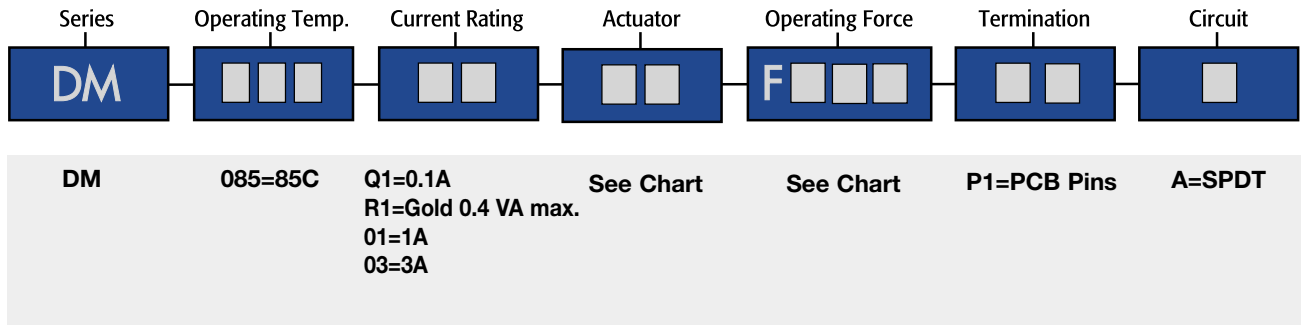
Electrical Life: 100,000 cycles typical
 Mechanical Life: 1,000,000 cycles typical
 Insulation Resistance: 100 MΩ min.
 Dielectric Strength: 1,000 V RMS @ sea level.
 Operating Temperature: -25° C to 85° C (std)
 Operating Force: See Chart

MATERIALS

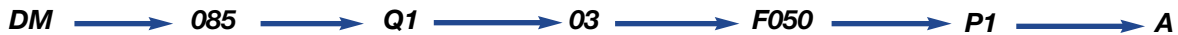
Switch Housing: High Temperature PBT (UL94 V-0)
 Actuator Button: High Temperature PBT (UL94 V-0)
 Terminals: Copper Alloy
 Contacts: Silver (std) or Gold
 Spring: Spring Steel



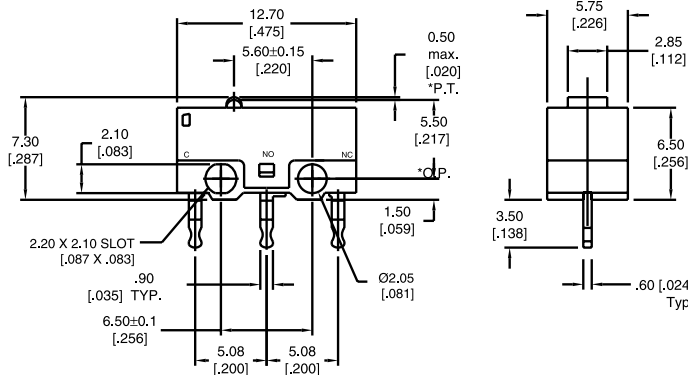
HOW TO ORDER



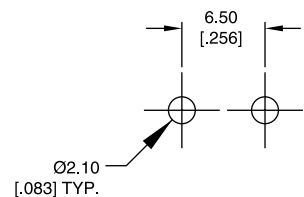
EXAMPLE



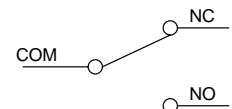
SPECIFICATIONS SUBJECT TO CHANGE WITHOUT NOTICE.



P.C. MOUNTING



Schematic



SUBMINIATURE SNAP ACTION SWITCH

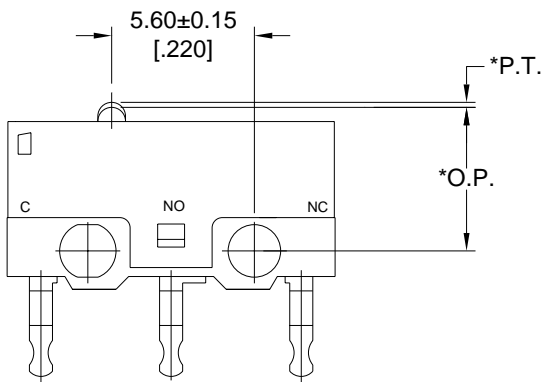
ACTUATOR OPTIONS

ACTUATOR AND OPERATING FORCE CHART

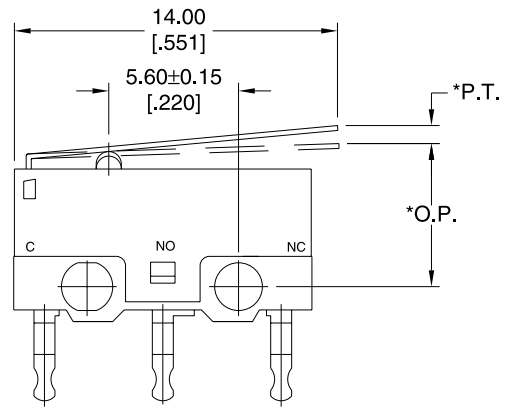
ACTUATOR	ACTUATION/RETURN FORCE	ACTUATION/RETURN FORCE	PT	OP	OT
00	060 / 15	125 / 40	0.5	5.5	0.2
01	015 / 5	045 / 8	1.8	6.8	0.2
02	025 / 6	050 / 10	1.8	10.0	0.6
03	030 / 7	055 / 12	1.8	7.5	0.4

PT= Pretravel OP= Operating Point OT= Over Travel

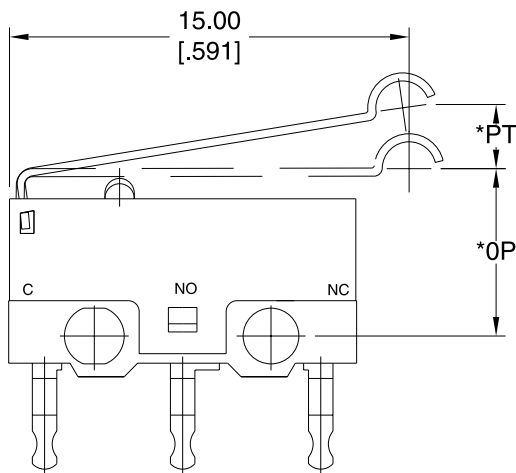
00



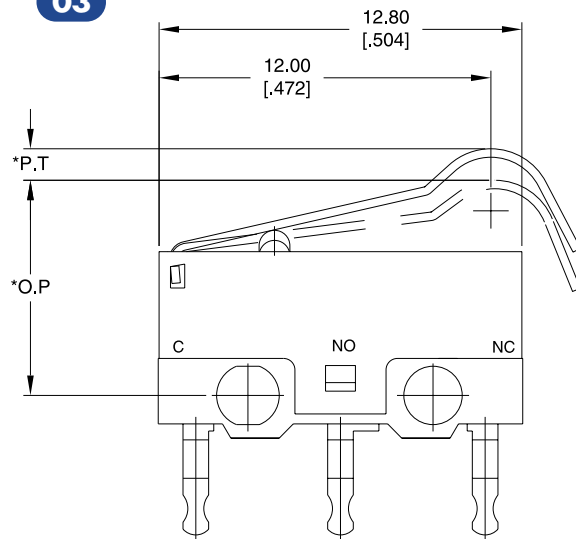
01



02



03



SPECIFICATIONS SUBJECT TO CHANGE WITHOUT NOTICE.