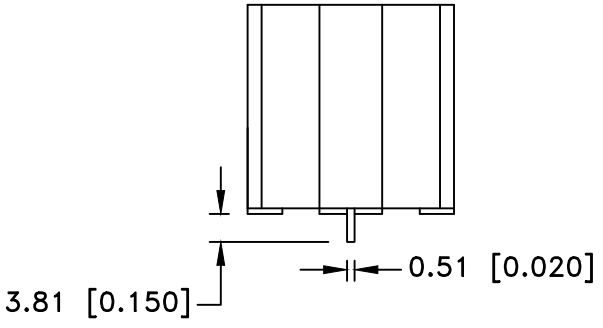
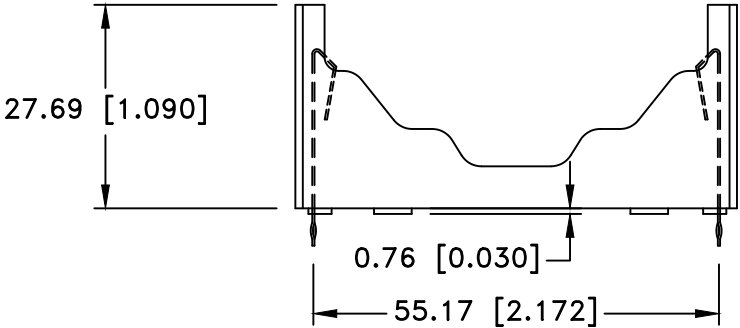
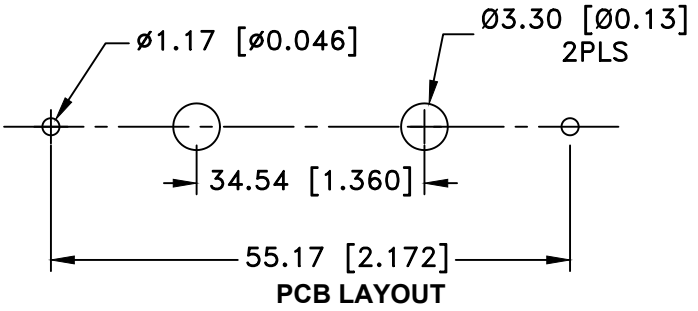
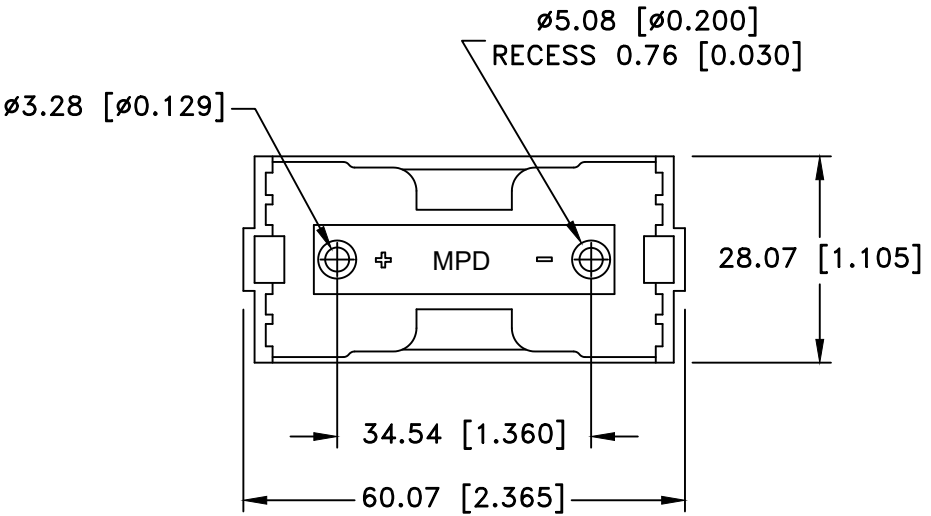



Date	SYM	REVISION RECORD	AUTH	DR.	CK.
12/11/15	C	UPDATED CONTACT MATERIAL AND ADDED UL FILE NO.	T.B.	B.S.	
03/12/21	D	UPDATED TEMPERATURE RANGE, ADDED WEIGHT	T.B.	B.S.	
06/21/23	E	UPDATED UL FILE NUMBER	T.B.	B.S.	



NOTES:

MATERIAL:

Holder: PBT, 30% Glass, Black, UL94V-0, ULFile No. E45587
 Contacts: 301 Stn. Stl., $\frac{3}{4}$ hard, Spring temper, Nickel Plated Overall
 Temperature Range: -55°C to +180°C
 Vibration Test: 10-50-10 Hz swept in 60 seconds
 X,Y,Z direction: 1 hour each direction, No dislodgement of the cell or damage, No discontinuity over 10 micro-seconds
 Shock Test: Half sine wave acceleration 150g. 6 micro-seconds, 1 shock pulses each direction per axis, total of 6 pulses, No evidence of physical damage
 Approximate Weight: 16.89g
 ROHS COMPLIANT

Tolerance (Except as noted)	 Memory Protection Devices, Inc 200 Broad Hollow Road, Farmingdale, New York 11735	Scale	Drawn By B.S.
			Approved By T.B.
decimal $\pm .5$ (.020)	Title C CELL HOLDER WITH PC PINS		
Fractional $\pm .8$ (.030)	Date 06/21/23	Drawing Number BHC-2	
Angular $\pm 3^\circ$			