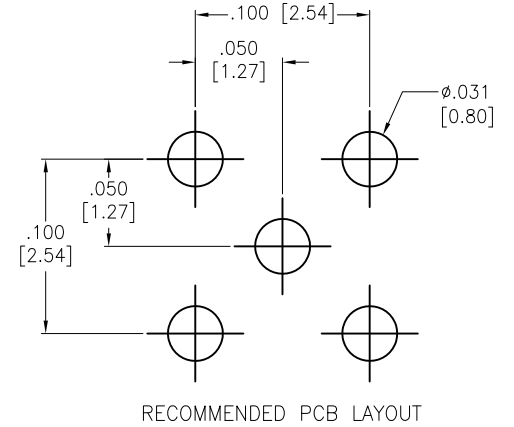
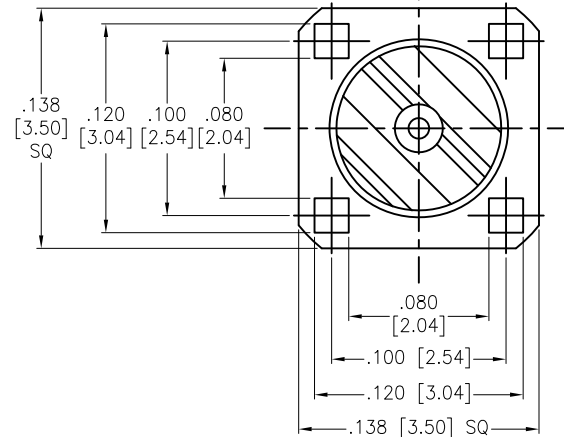
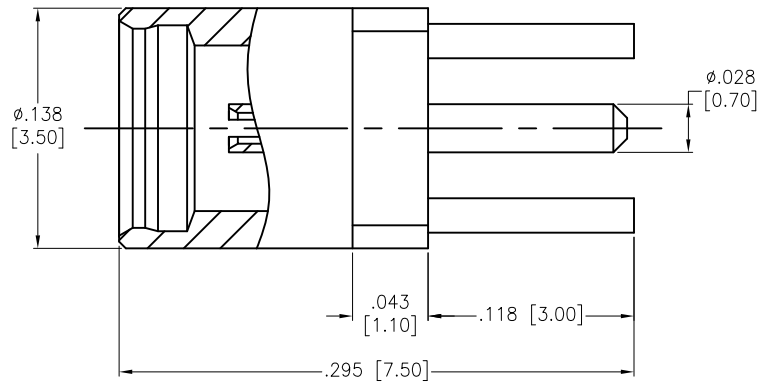


6	5	4	3	2	1		
APPROVED: _____			Rev	AWO #	Description	Date	Appr
DATE: _____ TITLE: _____			-		RELEASED	3/6/18	



CENTER PIN	BERYLLIUM COPPER	GOLD
INSULATOR	TEFLON	
BODY	BRASS	GOLD
PART NAME	MATERIAL	FINISH

SPECIFICATIONS:
 Electrical:
 Nominal Impedance: 50 ohms
 Environmental:
 Lead free, RoHS compliant.



UNLESS OTHERWISE SPECIFIED ALL DIMENSIONS ARE INCHES [MM] TOLERANCES: EXCEPT AS NOTED			
INCHES			
.X	± .10	Ø.X	± .10
.XX	± .020	Ø.XX	± .015
.XXX	± .015	Ø.XXX	± .010
APPROVALS		DATE	
DRAWN	AY	3/6/18	
CHECKED	RC	3/6/18	
APPROVED			

ADAM TECH INTERCONNECTS
 909 Rahway Avenue,
 Union, NJ 07083
 Phone: 908-687-5000
 Fax: 908-687-5710

TITLE RF CONNECTOR, TYPE MMCX ST. JACK, 50 OHM, DIP TYPE		
SIZE X	PART NO. RF12-07H-T-00-50-G	REV. -
REF: S00291T	SCALE: NTS	SHEET 1 OF 1