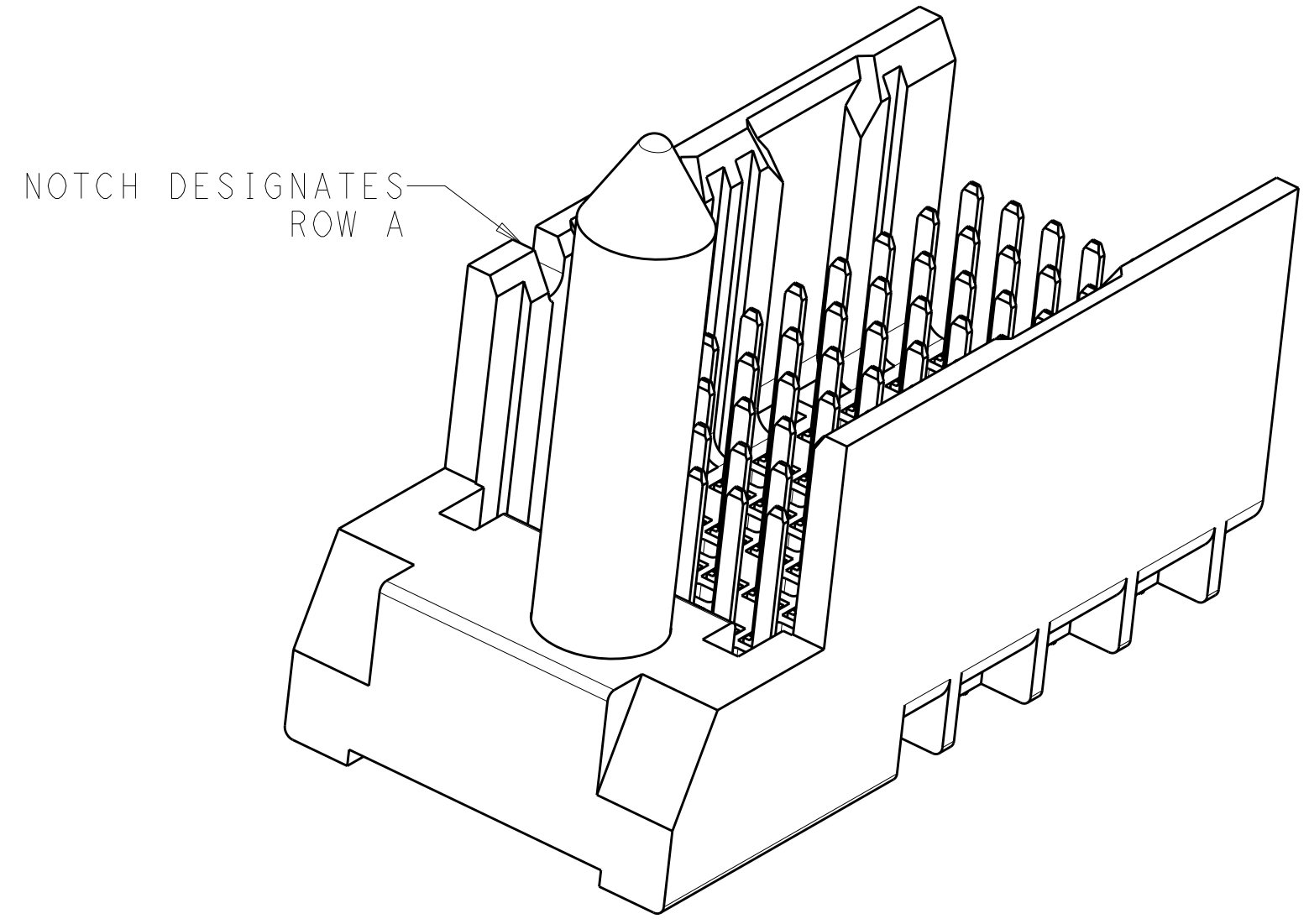
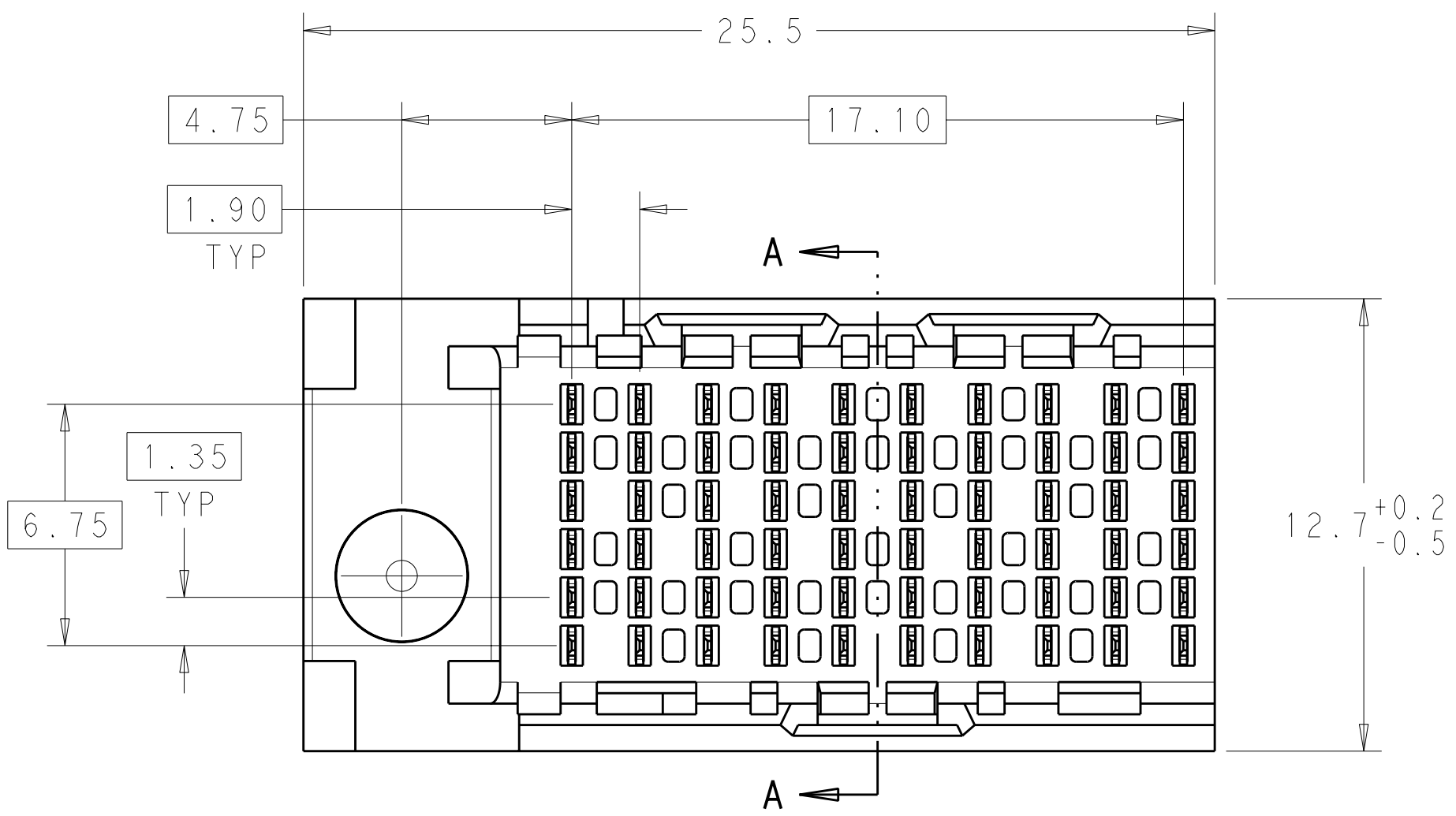
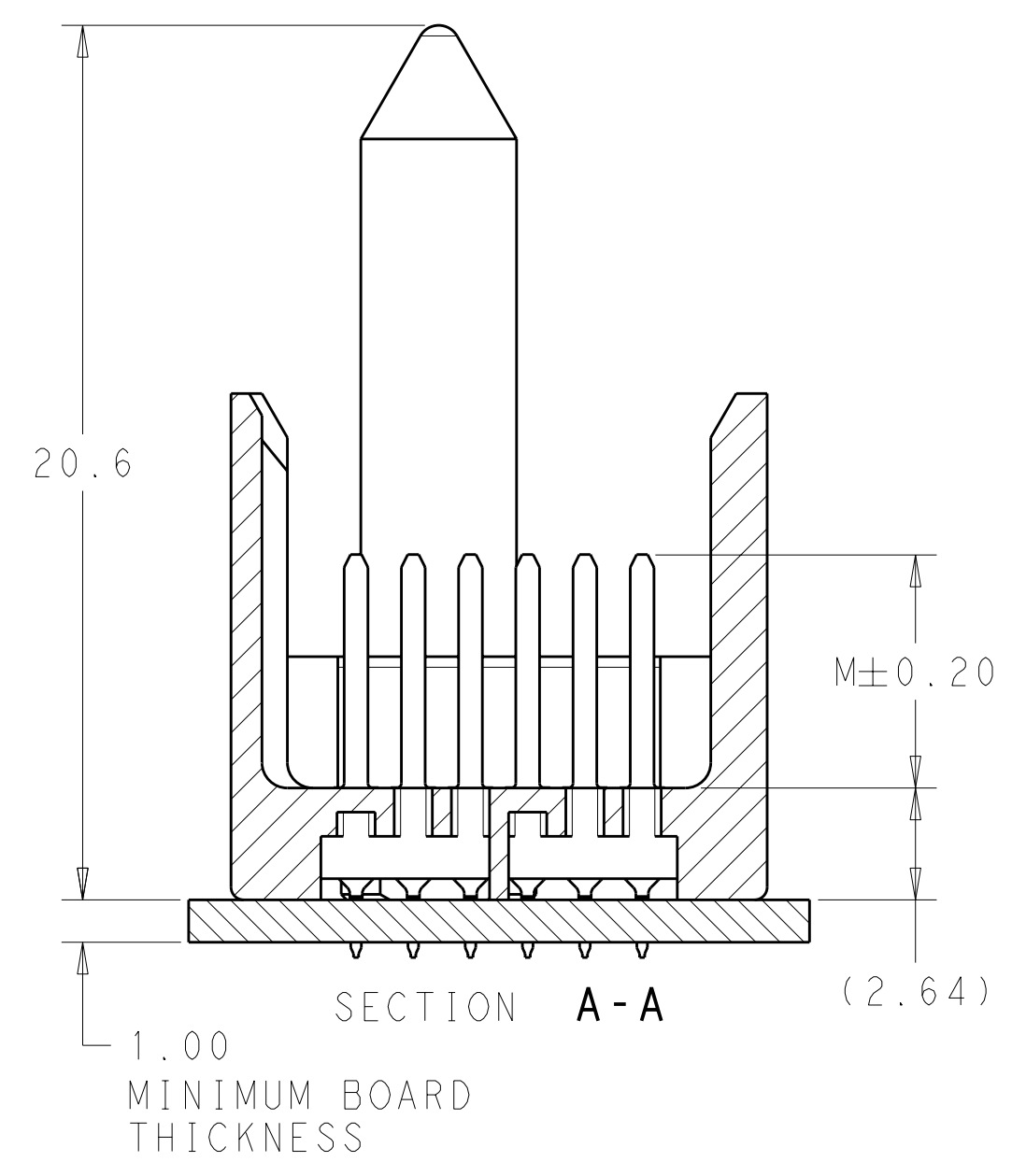
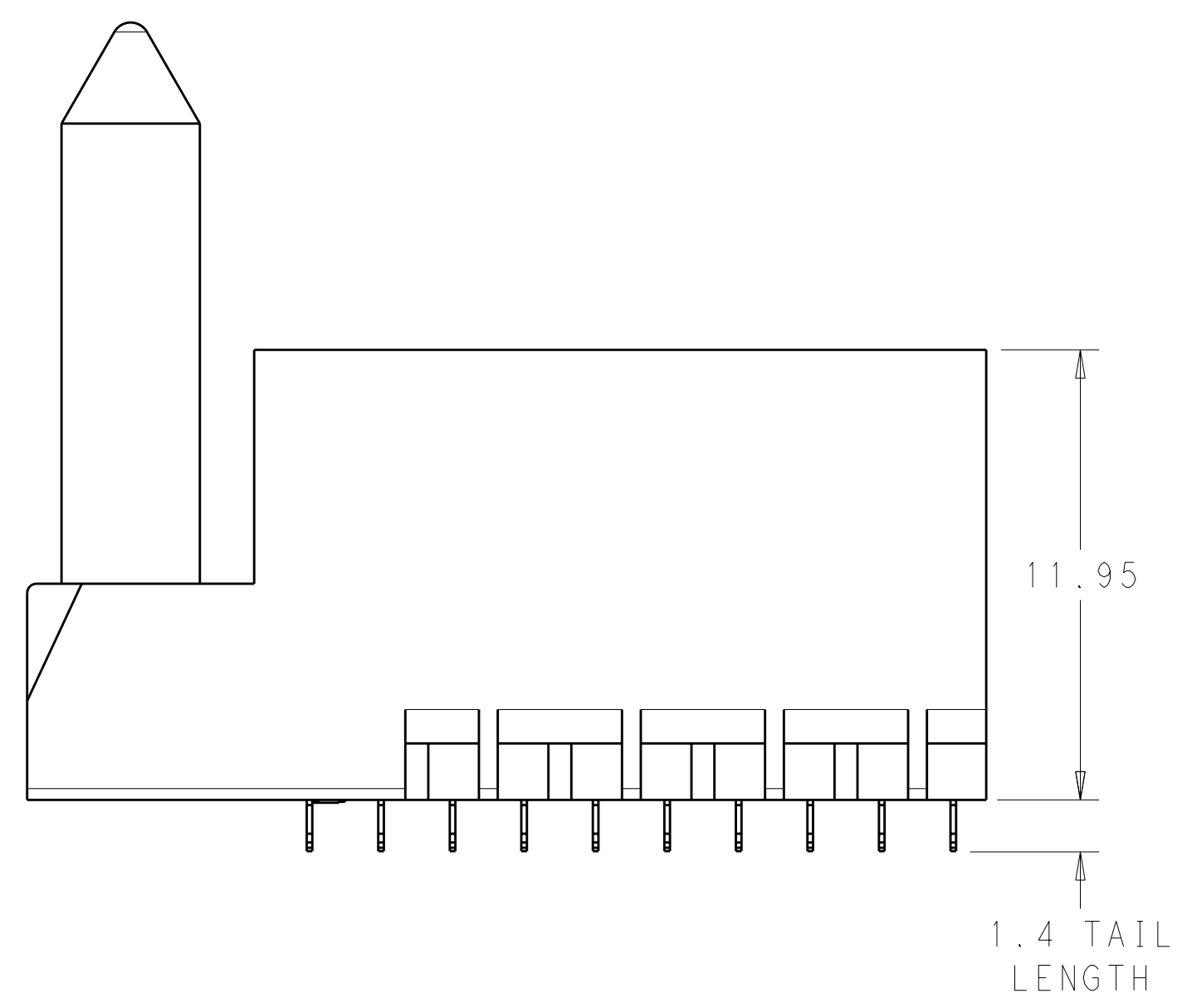
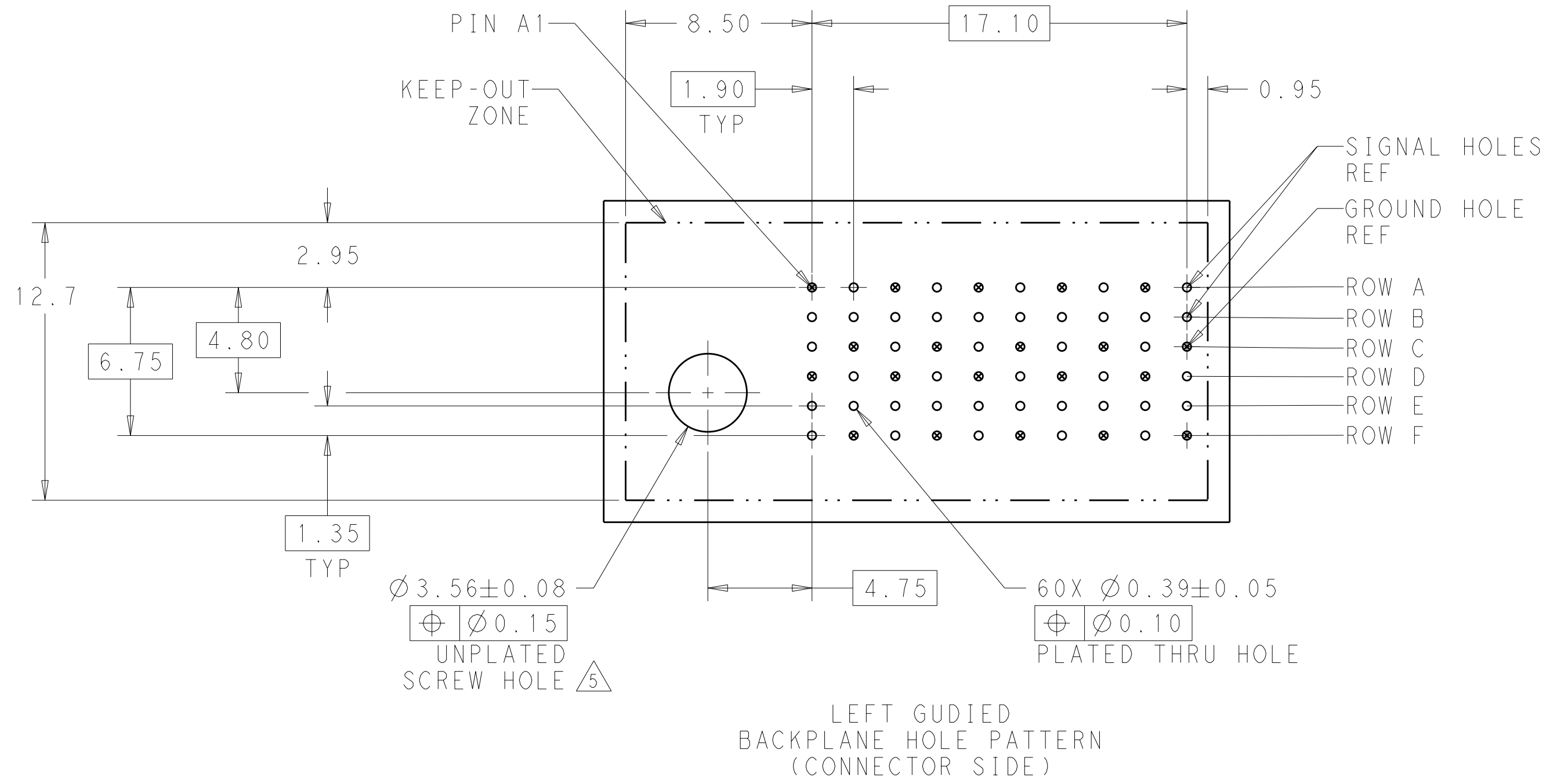


LOC	DIST	REV	DATE	BY	APPD
AD	00	B	04JAN12	KH	DY
REVISIONS			DESCRIPTION	DATE	DWN
B			REVISED PER ECO-11-025276	04JAN12	KH



- 1 MATERIAL:
HOUSING: LCP, GLASS FILLED, UL94V-0.
TERMINALS: HIGH PERFORMANCE COPPER ALLOY.
- 2 FINISH:
30μ" MIN GOLD IN CONTACT AREA. SELECTIVE TIN ON PCB TAILS, NICKEL OVERALL.
- 3 FINISH:
30μ" MIN GOLD IN CONTACT AREA. SELECTIVE TIN-LEAD ON PCB TAILS, NICKEL OVERALL.
- 4. SCREWS PACKAGED IN END OF PACKAGING TUBE.
- 5 FOR GROUNDED GUIDE PIN USE Ø3.56±0.08 PTH, Ø3.66 DRILL, AND Ø6.5 PAD.




THIS DRAWING IS A CONTROLLED DOCUMENT.		DWN J. K. SHOBER 02DEC2010	TE Connectivity
DIMENSIONS: mm		CHK J. EARY 02DEC2010	
TOLERANCES UNLESS OTHERWISE SPECIFIED:		APVD J. EARY 02DEC2010	NAME IMPACT, 2 PAIR, 10 COLUMN, HEADER
9 PLC ±	0.25	PRODUCT SPEC	LEFT GUIDED, OPEN END WALL
5 PLC ±	0.13	APPLICATION SPEC	SIGNAL MODULE, 0.39 PTH
4 PLC ±	0.08	WEIGHT	SIZE CAGE CODE DRAWING NO. RESTRICTED TO
ANGLES ±	0.13	FINISH SEE TABLE	A1100779C=2057419
MATERIAL	SEE TABLE	CUSTOMER DRAWING	SCALE 6:1 SHEET 1 OF 2 REV B

THIS DRAWING IS UNPUBLISHED. RELEASED FOR PUBLICATION 20
 © COPYRIGHT 20 . . . ALL RIGHTS RESERVED.

LOC	DIST	REVISIONS					
AD	00	P	LTG	DESCRIPTION	DATE	DWN	APVD
		-	-	SEE SHEET 1	-	-	-

FINISH	DIM M	PART NUMBER
$\triangle/3$	5.5	2057419-6
$\triangle/3$	4.9	2057419-5
$\triangle/3$	4.5	2057419-4
$\triangle/2$	5.5	2057419-3
$\triangle/2$	4.9	2057419-2
$\triangle/2$	4.5	2057419-1

REFER TO WWW.TE.COM
 FOR PRODUCT AVAILABILITY

THIS DRAWING IS A CONTROLLED DOCUMENT.		DWN J. K. SHOBER 02DEC2010	 TE Connectivity
DIMENSIONS: mm		CHK J. EARY 02DEC2010	
TOLERANCES UNLESS OTHERWISE SPECIFIED: 9 PLC ± .25 7 PLC ± 0.13 5 PLC ± . 4 PLC ± . ANGLES ± . FINISH SEE TABLE		APVD J. EARY 02DEC2010	NAME IMPACT, 2 PAIR, 10 COLUMN, HEADER LEFT GUIDED, OPEN END WALL SIGNAL MODULE, 0.39 PTH
MATERIAL -	SEE TABLE	PRODUCT SPEC -	APPLICATION SPEC -
CUSTOMER DRAWING		WEIGHT -	RESTRICTED TO -
SCALE 5:1		SIZE CAGE CODE DRAWING NO A100779C=2057419	SHEET 2 OF 2 REV B