

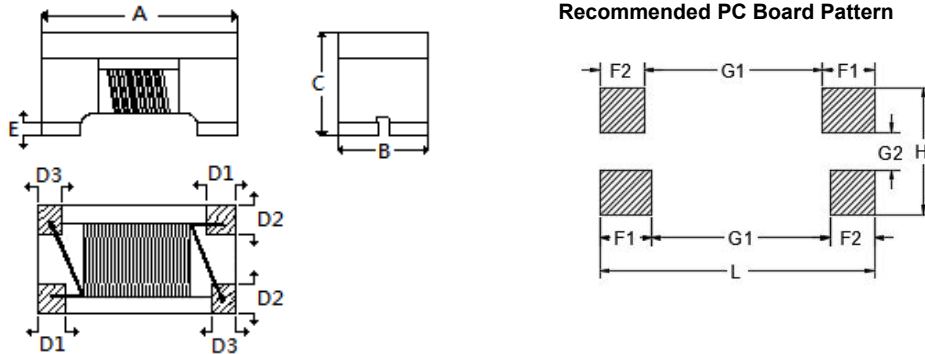
SMD LAN Inductor for Capacitive Type LAN Module DCM321620F2SF-600T02-1R1

1. Features

1. High common mode impedance at high frequency effects excellent noise suppression performance.
2. DCM321620F2SF series realizes small size and low profile.
3. 100% Lead(Pb) & Halogen-Free and RoHS compliant.
4. Operating temperature-40~+105°C (Including self - temperature rise)



2. Dimension

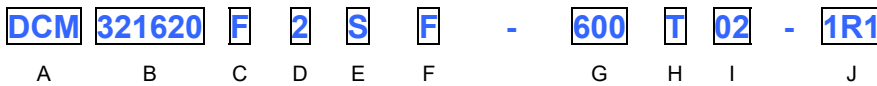


Recommended PC Board Pattern

Series	A(mm)	B(mm)	C(mm)	D1(mm)	D2(mm)	D3(mm)	E(mm)	L(mm)	H(mm)	G1(mm)	G2(mm)	F1(mm)	F2(mm)
321620F2SF	3.4±0.2	1.6±0.2	2.0±0.2	0.64±0.1	0.58±0.1	0.54±0.1	0.12 (typ.)	3.7	1.7	2.4	0.5	0.7	0.6

Units: mm

3. Part Numbering



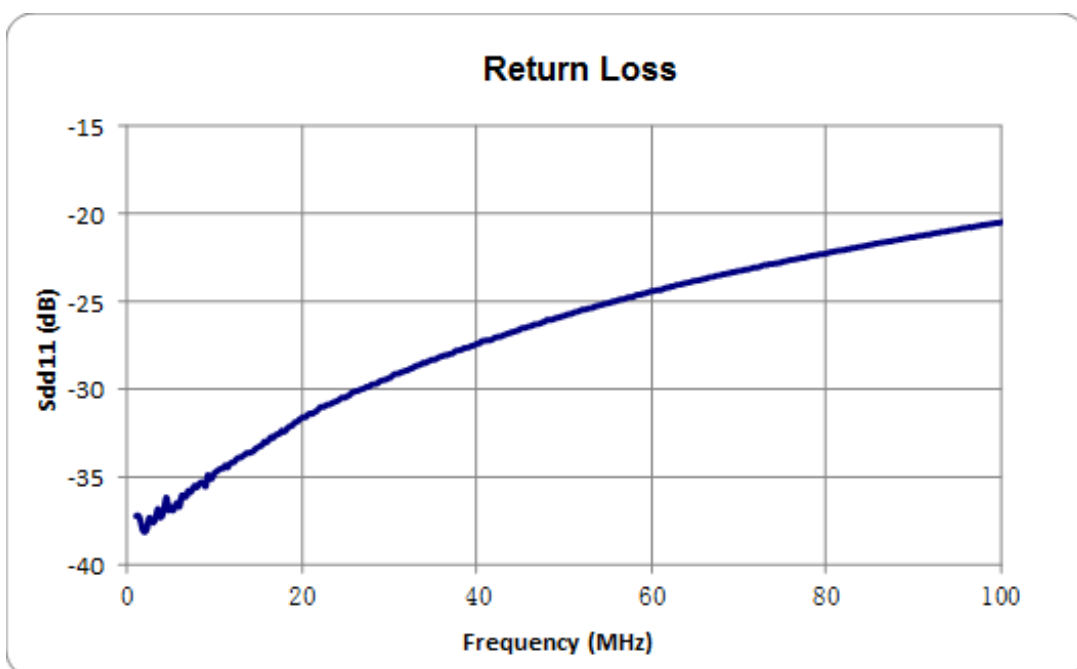
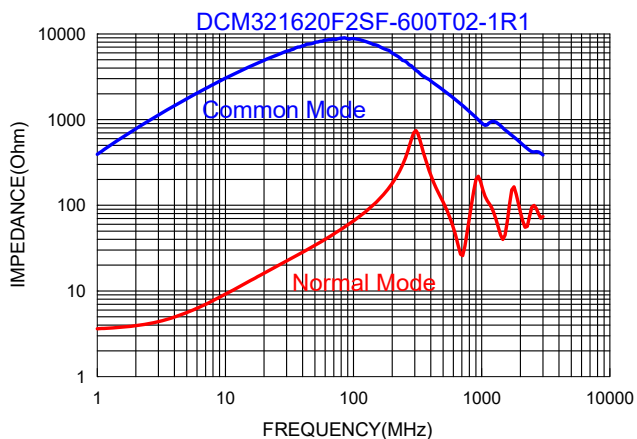
- A: Series
- B: Dimension
- C: Material Ferrite Core
- D: Number of Lines 2=2 lines
- E: Type S=Shielded , N=Unshielded
- F: Lead free
- G: Inductance 600=60uH
- H: Packaging T=Taping and Reel
- I: Rated Current 02=200mA
- J: RDC 1R1=1.1(Ω)

4. Specification

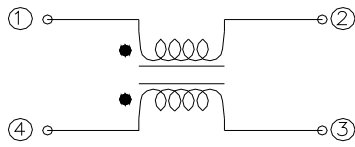
TAI-TECH Part Number	Inductance(uH) [100kHz/0.1V] Min.	Capacitance (pF)Max	Insertion loss 1-100MHz (dB)	Return loss 1-100MHz (dB)	DC Resistance (Ω)Max.	Rated Current (mA)	Rated Volt. (Vdc)	Withstand Volt. (Vdc) max.	IR(Ω) min.
DCM321620F2SF-600T02-1R1	60	14	-0.7 typ.	-20 typ.	1.1	200	50	125	10M

Note:

IEC 61000-4-5 Surge 10/700us 1.5KV (Differential mode)

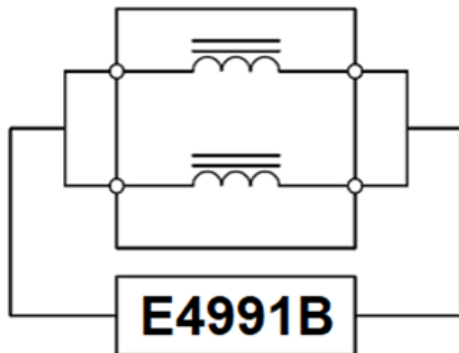


5. Schematic Diagram



6. MEASURING CIRCUITS 2LINE

Common mode



Differential mode

