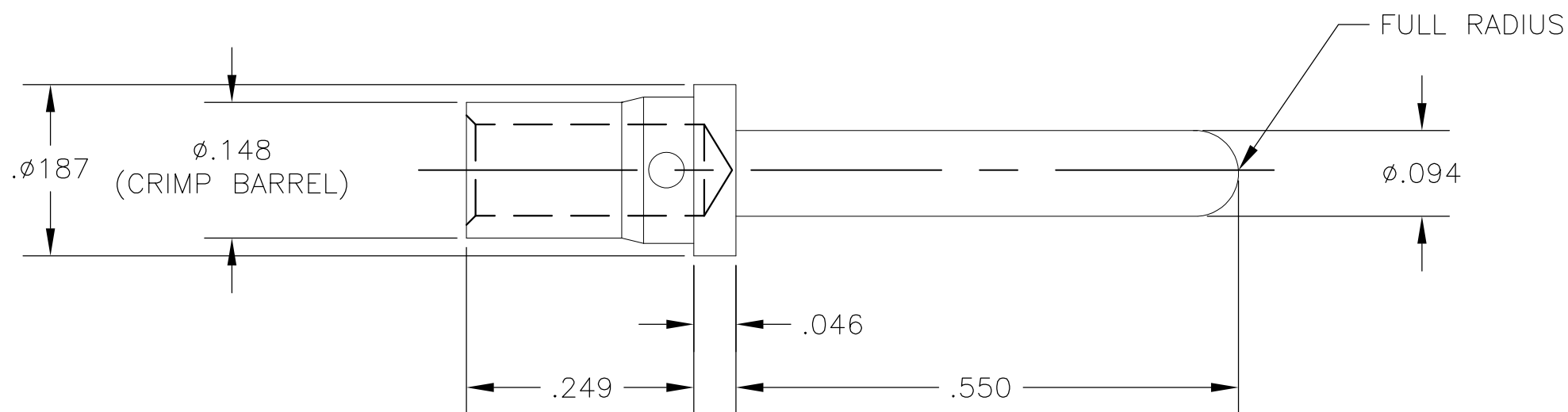


THIS DRAWING IS UNPUBLISHED. RELEASED FOR PUBLICATION
 © COPYRIGHT BY TYCO ELECTRONICS CORPORATION. ALL RIGHTS RESERVED.

LOC	DIST	REVISIONS					
GP	00	P	LTR	DESCRIPTION	DATE	DWN	APVD
			B	REV PER ECO-08-014775	25JUN08	RG	DO



5. REFERENCE ELCON SERIES 701-12-02107
4. FINISH: SILVER PLATED .000200 MIN THK.
OVER NICKEL .000050 MIN THK.
3. MATERIAL: COPPER ALLOY
2. ITEMS PROVIDED TO THIS SPECIFICATION SHALL BE IDENTIFIED
ON THE CONTAINER WITH THE FOLLOWING INFORMATION:
PART NUMBER & DATE CODE OF MANUFACTURE.
1. PART NUMBER CHANGES AND/OR DESIGN CHANGES AFFECTING
ITEM INTERCHANGEABILITY REQUIRE PRIOR TYCO ELECTRONICS APPROVAL
AND AUTHORIZATION BY REVISION TO THIS DRAWING.

1766193-1
PART NUMBER

THIS DRAWING IS A CONTROLLED DOCUMENT.		DWN	R.GRZYBOWSKI	31MAR06	Tyco Electronics Corporation Harrisburg, PA 17105-3608					
DIMENSIONS: INCHES		CHK	S.FLICKINGER	31MAR06	NAME					
		APVD	S.FLICKINGER	31MAR06	PIN CONTACT, SIZE #12 CRIMP, STANDARD, .43 PIN EXT.					
TOLERANCES UNLESS OTHERWISE SPECIFIED:		PRODUCT SPEC	-							
0 PLC ± - 1 PLC ± - 2 PLC ± .02 3 PLC ± .010 4 PLC ± - ANGLES ± .5		APPLICATION SPEC	-							
MATERIAL SEE NOTE 3		FINISH	-							
		WEIGHT	-							
		CUSTOMER DRAWING	SIZE	A3	CAGE CODE	00779	DRAWING NO	C-1766193	RESTRICTED TO	-
		SCALE	6:1		SHEET	1 OF 1		REV	B	