

3-1437719-0 ✓ ACTIVE



[Triad 01 Cable Plug](#), [Triad 01 Solder](#)

TE Internal #: 3-1437719-0

Standard Circular Connectors, Cable-to-Cable, 3 Position, Sealable, Wire & Cable, Signal, Reverse Gender, Nickel, CuZn, PBT, Triad 01 Cable Plug

[View on TE.com >](#)

Connectors > Circular Connectors > Standard Circular Connectors



Connector System: **Cable-to-Cable**

Number of Positions: **3**

Sealable: **Yes**

Connector & Contact Terminates To: **Wire & Cable**

Contact Current Rating (Max): **3 A**

Features

Product Type Features

Product Type	Connector Assembly
Prewired	Yes
Connector System	Cable-to-Cable
Sealable	Yes
Connector & Contact Terminates To	Wire & Cable
Circular Connector Type	Receptacle
Shell Type	Metal

Configuration Features

Number of Positions	3
Number of Power Positions	0
Number of Signal Positions	3
Contacts Preloaded	Yes

Electrical Characteristics

Operating Voltage	60 VAC
-------------------	--------



Body Features

Environmental Protection Type	Sealed
Environmental Protection	With
Shell Plating Material	Nickel
Shell Base Material	CuZn
Circular Connector Insulation Material Type	PBT
Hermetically Sealed	No

Contact Features

Contact Current Rating (Max)	3 A
Reverse Gender	Yes
Contact Layout Arrangement	Circular
Circular Connector Contact Type	Socket

Mechanical Attachment

Mating Retention	With
------------------	------

Dimensions

Compatible Insulation Diameter Range	5 mm
Assembly Length	38 mm
Wire Size	.25 mm ²

Usage Conditions

Operating Temperature Range	-40 – 80 °C[-40 – 176 °F]
-----------------------------	---------------------------

Operation/Application

Circuit Application	Signal
Shielded	No

Industry Standards

UL Flammability Rating	UL 94V-2
------------------------	----------

Packaging Features

Packaging Quantity	25
--------------------	----

Product Compliance

For compliance documentation, visit the product page on TE.com>

EU RoHS Directive 2011/65/EU	Compliant with Exemptions
------------------------------	---------------------------



EU ELV Directive 2000/53/EC

Compliant

China RoHS 2 Directive MIIT Order No 32, 2016

Restricted Materials Above Threshold

EU REACH Regulation (EC) No. 1907/2006

Current ECHA Candidate List: JUNE 2023 (235)

Candidate List Declared Against: JUNE 2023 (235)

SVHC > Threshold:

Pb (4% in Component Part)

Article Safe Usage Statements:

Do not eat, drink or smoke when using this product. Wash thoroughly after handling. Recycle if possible and dispose of the article by following all applicable governmental regulations relevant to your geographic location.

Halogen Content

Low Halogen - Br, Cl, F, I < 900 ppm per homogenous material. Also BFR/CFR/PVC Free

Solder Process Capability

Hand solderable with lead free solder

Product Compliance Disclaimer

This information is provided based on reasonable inquiry of our suppliers and represents our current actual knowledge based on the information they provided. This information is subject to change. The part numbers that TE has identified as EU RoHS compliant have a maximum concentration of 0.1% by weight in homogenous materials for lead, hexavalent chromium, mercury, PBB, PBDE, DBP, BBP, DEHP, DIBP, and 0.01% for cadmium, or qualify for an exemption to these limits as defined in the Annexes of Directive 2011/65/EU (RoHS2). Finished electrical and electronic equipment products will be CE marked as required by Directive 2011/65/EU. Components may not be CE marked. Additionally, the part numbers that TE has identified as EU ELV compliant have a maximum concentration of 0.1% by weight in homogenous materials for lead, hexavalent chromium, and mercury, and 0.01% for cadmium, or qualify for an exemption to these limits as defined in the Annexes of Directive 2000/53/EC (ELV). Regarding the REACH Regulation, the information TE provides on SVHC in articles for this part number is based on the latest European Chemicals Agency (ECHA) 'Guidance on requirements for substances in articles' posted at this URL: <https://echa.europa.eu/guidance-documents/guidance-on-reach>

Compatible Parts



TE Part # 1-1437719-5
T01-0550-P03-MALE PLUG
CONNECTOR SOLDER



TE Part # 6-1437719-3
T01-0570-P03-MALE REC PANEL-PCB
STRAIGHT



TE Part # 8-1437719-1
T01-0580-P03-MALE REC PANEL
MOUNT SOLDER



TE Part # 4-1437719-5
T01-0560-P03-MALE REC PANEL-PCB
MOUNT RA

Also in the Series | [Triad 01 Cable Plug](#)



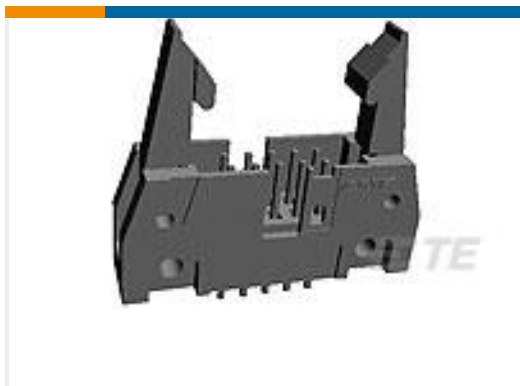
Standard Circular Connectors(14)

Also in the Series | [Triad 01 Solder](#)



Standard Circular Connectors(10)

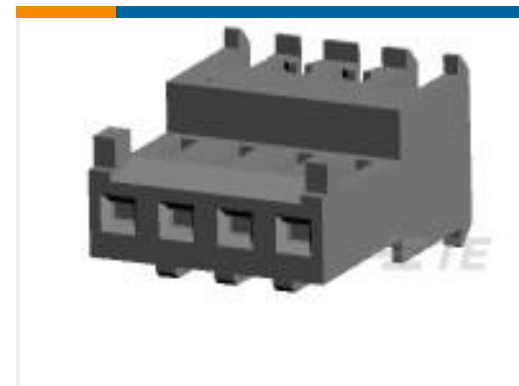
Customers Also Bought



TE Part #5102321-1
A/L UNIV HDR 10P VERT LG LAT



TE Part #1879022-5
SMF3 470R 5%



TE Part #3-644564-4
04P MTA100 CONN ASSY F/T 26AWG



TE Part #1437012-5
609-002=HDW IDC JACKSCREW ASSY



TE Part #2-1437719-1
T01-0550-P05-MALE PLUG
CONNECTOR SOLDER



TE Part #4-1437719-5
T01-0560-P03-MALE REC PANEL-PCB
MOUNT RA



TE Part #1-925369-2
MOD 4 REC.HSG 1X12P

Documents

Product Drawings

[T01-0550-S03-FEMALE PLUG CONNECTOR SOLDE](#)

English

CAD Files

[3D PDF](#)

[3D](#)



Customer View Model

[ENG_CVM_CVM_3-1437719-0_B.2d_dxf.zip](#)

English

Customer View Model

[ENG_CVM_CVM_3-1437719-0_B.3d_igs.zip](#)

English

Customer View Model

[ENG_CVM_CVM_3-1437719-0_B.3d_stp.zip](#)

English

By downloading the CAD file I accept and agree to the [Terms and Conditions](#) of use.

Datasheets & Catalog Pages

[M8 / M12 Connector System Catalog](#)

English

[M8 / M12 Connector System Catalog](#)

Japanese

Product Specifications

[Product Specification](#)

English