

PART NUMBER

**BL23E48-02-HP05-ED1000**

**MOTOR SPECIFICATIONS**

Part Number	<b>BL23E48-02</b>
Dimension "A"	4.78 in   121.5 mm
Rated Voltage	48 VDC
Rated Torque	60.89 oz-in   0.43 N-m
Rated Speed	4000 RPM
Rated Power	180 Watts
Rated Current	4.5 Amps
Peak Torque	121.78 oz-in   0.85 N-m
Peak Current	9 Amps
Torque Constant (kt)	13.59 oz-in/Amp
Back EMF Constant (Ke)	9.09 Vp/KRPM
Motor Constant (Km)	20.49 oz-in/√W   0.145 N-m/√W
Resistance	0.44 Ohms
Inductance	0.54 mH
Rotor Inertia	2.49 oz-in <sup>2</sup>
Weight	3.75 lb   1.7 kg
Electrical Time Constant	1.2 ms
Mechanical Time Constant	2.4 ms

**GEARBOX SPECIFICATIONS**

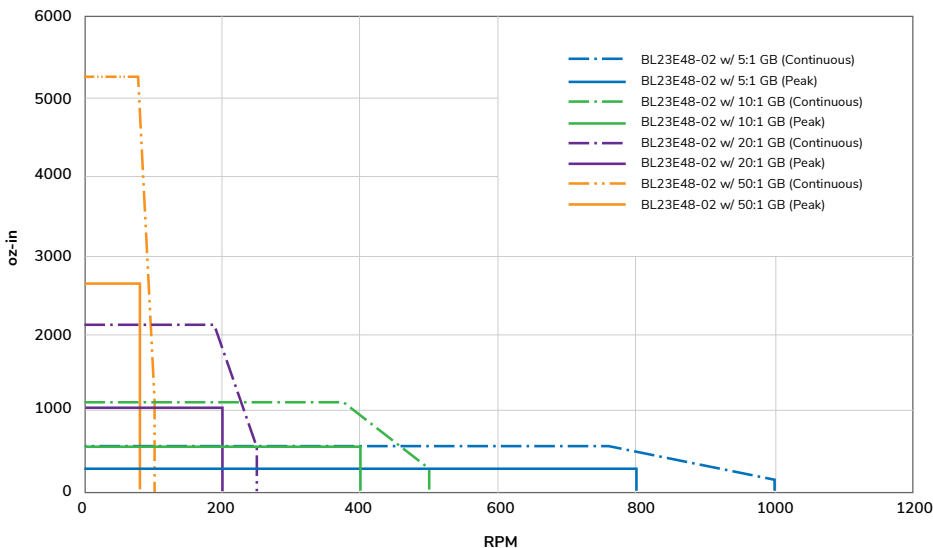
Part Number	<b>HP05</b>
Ratio	5:1
Nominal Output Torque (Nm)	60
Emergency Stop Torque (Nm)	3 times nominal output torque
Nominal Input Speed (RPM)	5000
Max Input Speed (RPM)	10000
Max Radial Load (N)	1377
Max Axial Load (N)	765
Efficiency η (%)	90
Backlash (arcmin)	<5
Protection Class	IP65 (gearbox), IP40 (motor)
Service Life (hr)	20000
Weight (kg)	1.4
Operating Temperature (°C)	-20 to 90
Lubrication	Grease
Noise (n=3000 rpm) dB(A)	56
Mass Movement of Inertia (kg-cm <sup>2</sup> )	0.13

**E5 ENCODER SPECIFICATIONS**

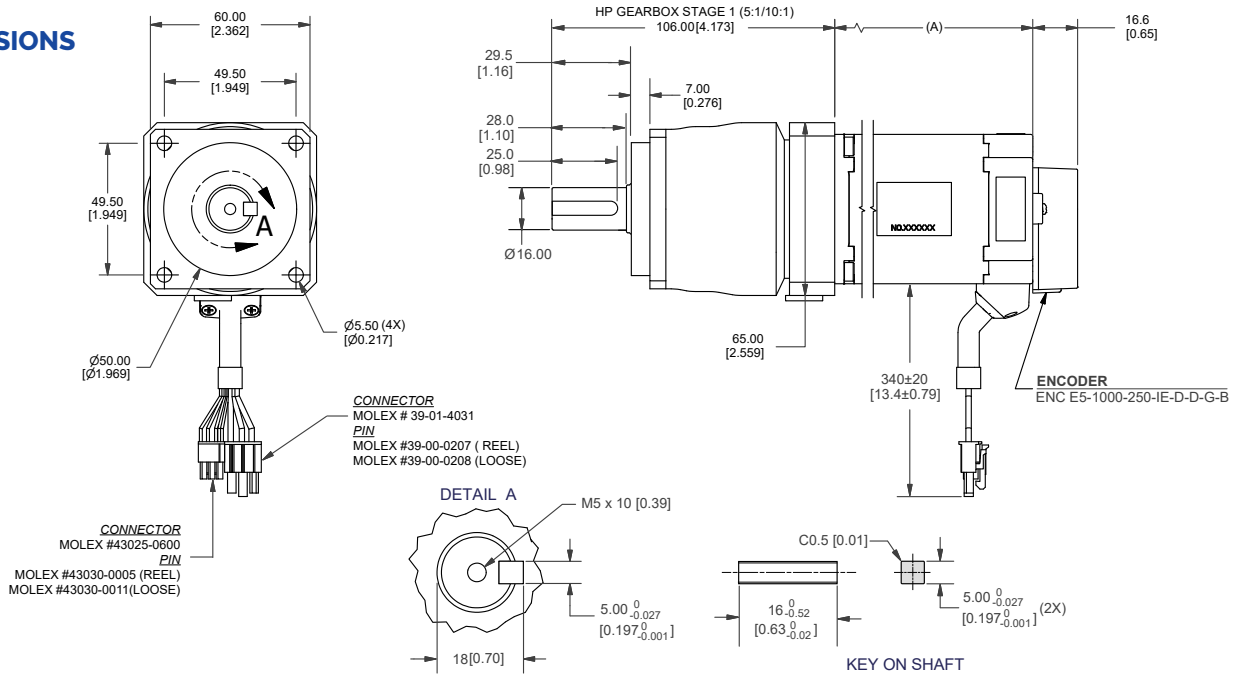
Encoder	US Digital E5
Output	Differential
CPR	1000
Index	Included

**PERFORMANCE CURVE**

**BL23E48-02 GEARMOTOR TORQUE CURVES**



## DIMENSIONS



## PIN OUT CHARTS

### HALL SENSOR

PIN #	COLOR	PHASE
1	RED	VCC (+5V)
2	YELLOW	HV
3	BLUE	HW
4	BLACK	GND
5	ORANGE	HU

### MOTOR PHASE

PIN #	COLOR	PHASE
1	BLUE	W
2	ORANGE	U
5	YELLOW	V

### ENCODER

#### 10 PIN DIFFERENTIAL -STANDARD (2)

PIN	DESCRIPTION
1	Ground
2	Ground
3	Index -
4	Index +
5	A- Channel
6	A+ Channel
7	+5 VDC Power
8	+5 VDC Power
9	B- Channel
10	B+ Channel

## RECOMMENDED PRODUCTS



BLDC DRIVER  
**BLDC50-BL23E48-02**

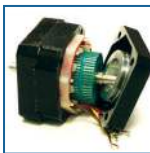


BLDC EXTENSION CABLE  
**4201-100/300**



E5 ENCODER CABLE  
**CA-FC10-SH-NC-10-PKG**

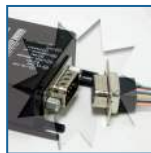
## OPERATION & USAGE TIPS



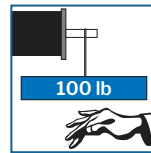
**Do not** disassemble motors; a significant reduction in motor performance will occur.



**Do not** machine shafts; this will have a negative effect on shaft run out and perpendicularity.



**Do not** disconnect motor from drive while in operation.



**Do not** use holding torque/detent torque of motor as a fail safe brake.



**Do not** hold motor by lead wires.



**Do not** exceed the rated current; this will damage the motor.

FAILURE TO COMPLY WITH THESE RECOMMENDATIONS WILL VOID ALL WARRANTY TERMS

# Motion Control, Solved.

## MOTOR ENGINEERING & MANUFACTURING



Optimized  
For Your  
Application



Quick  
Prototype  
Turnaround



Small Batch  
to OEM Volume  
Production



US Based  
Support &  
Manufacturing