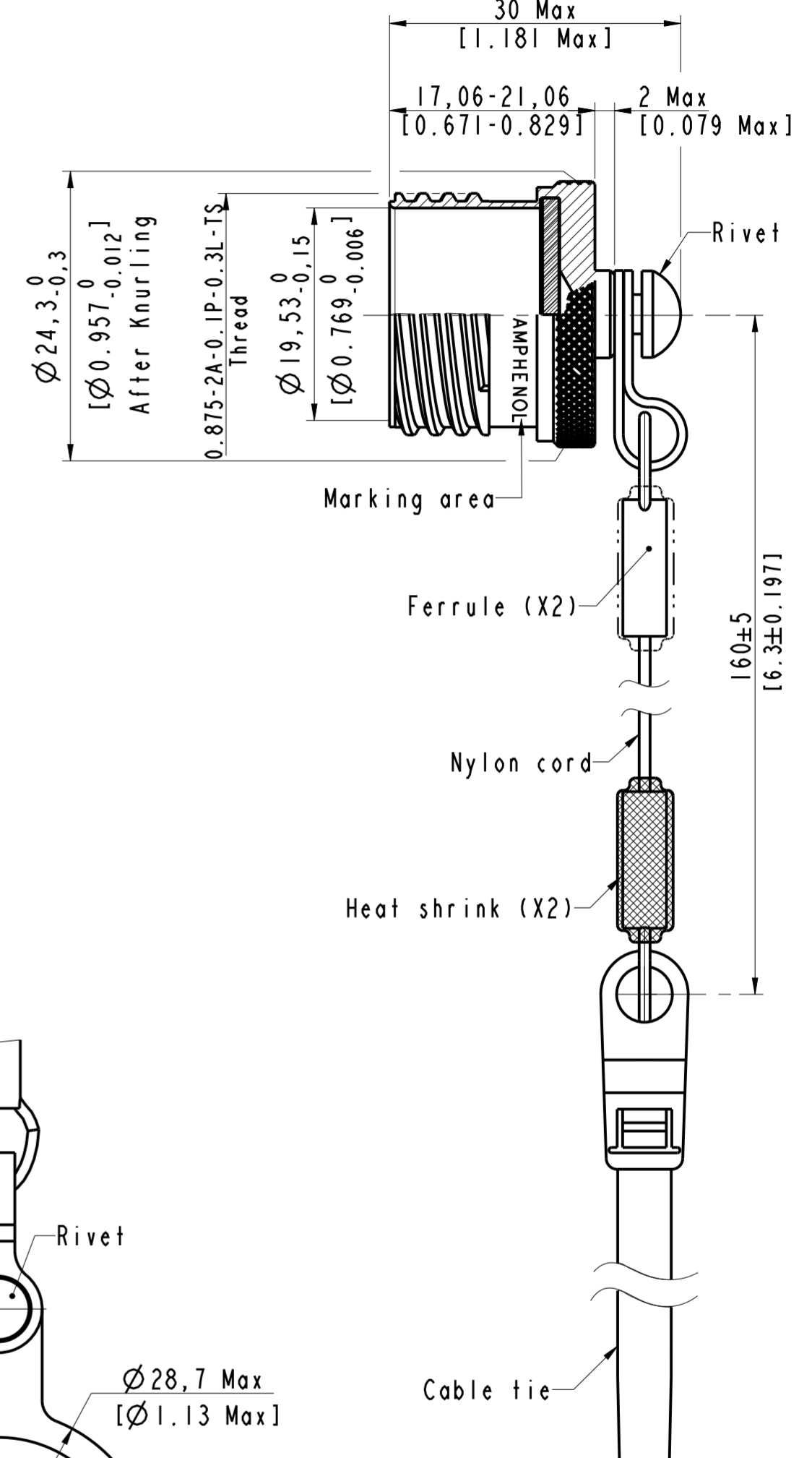
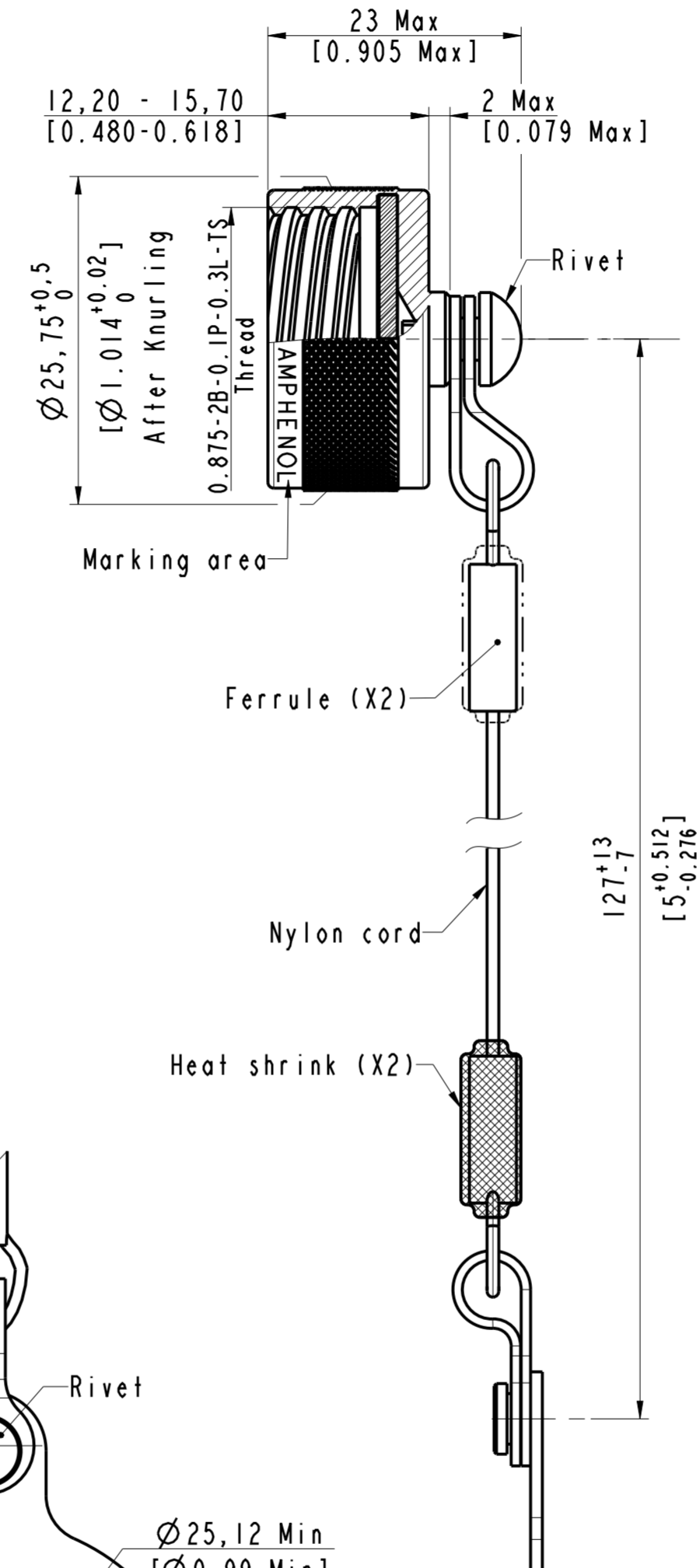
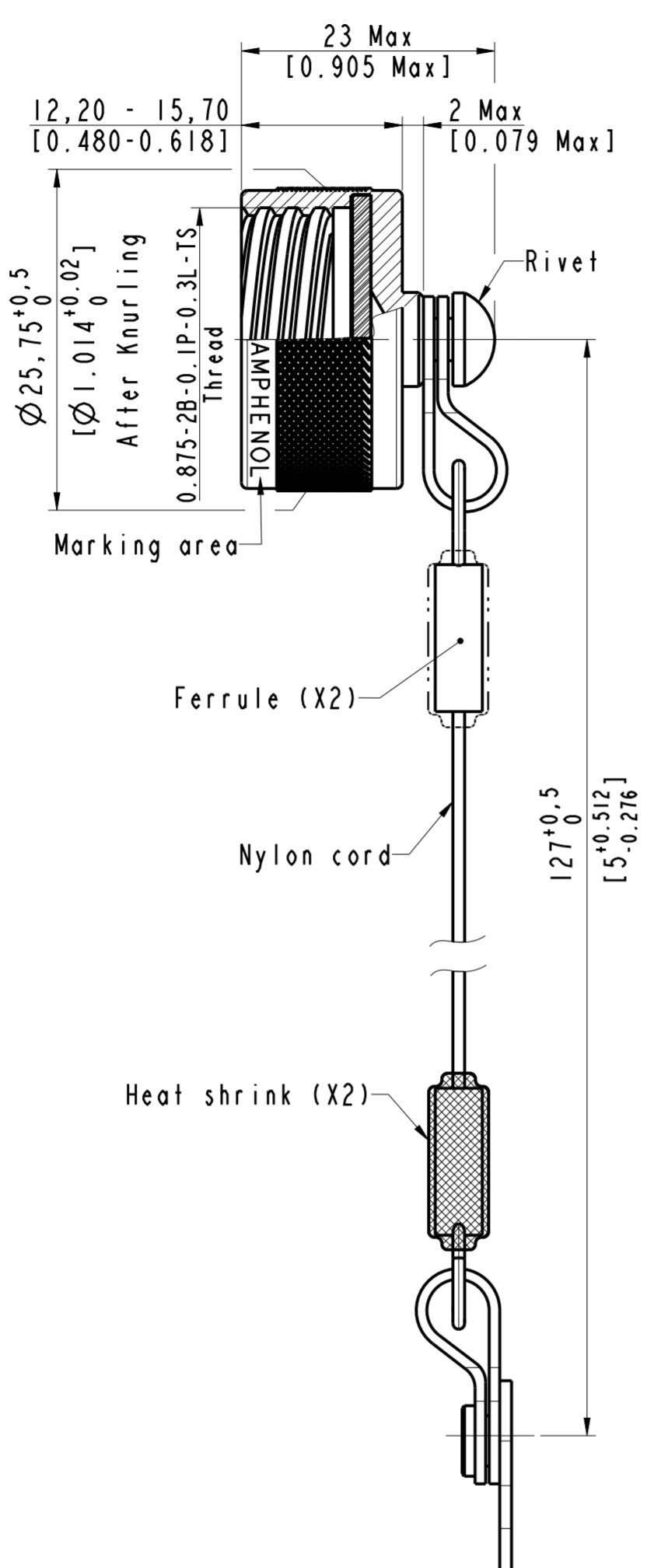
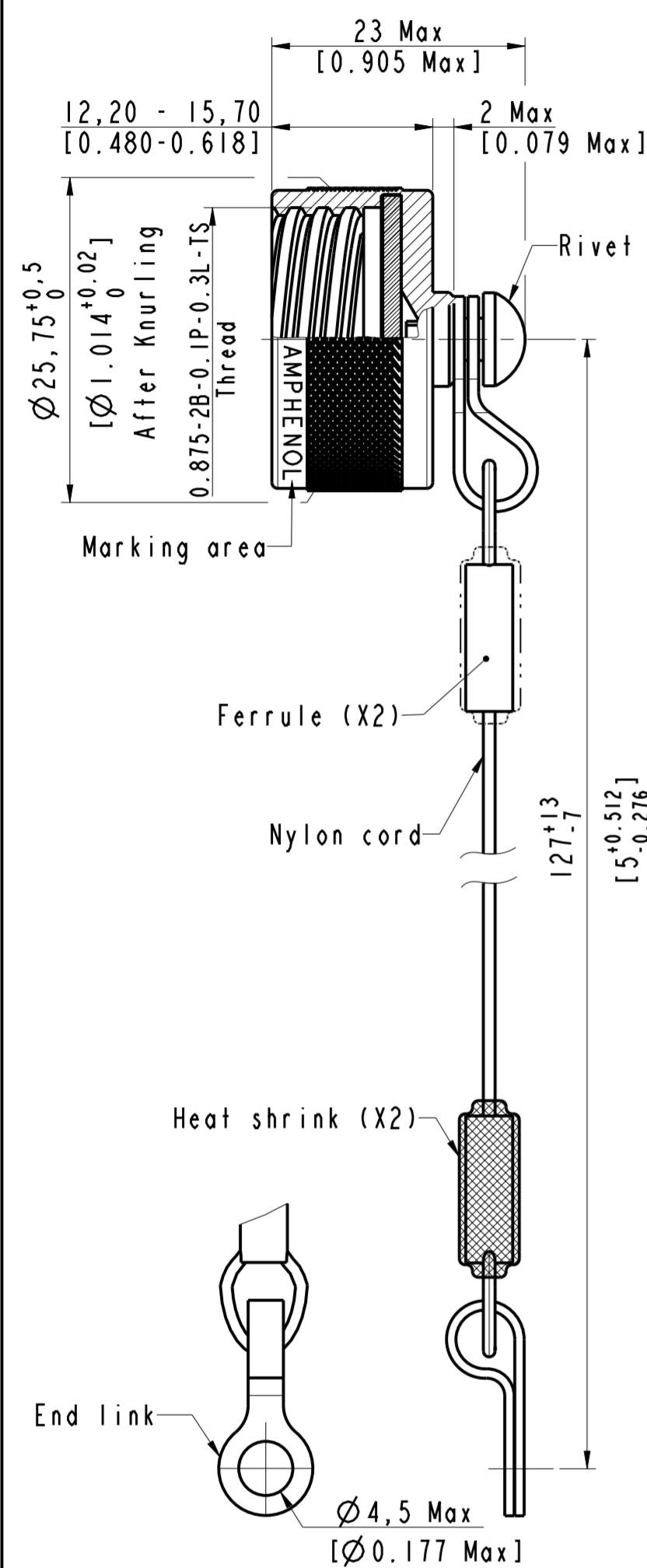


**MDPF TVC 2 X**

**MDPF TVC 7 X**

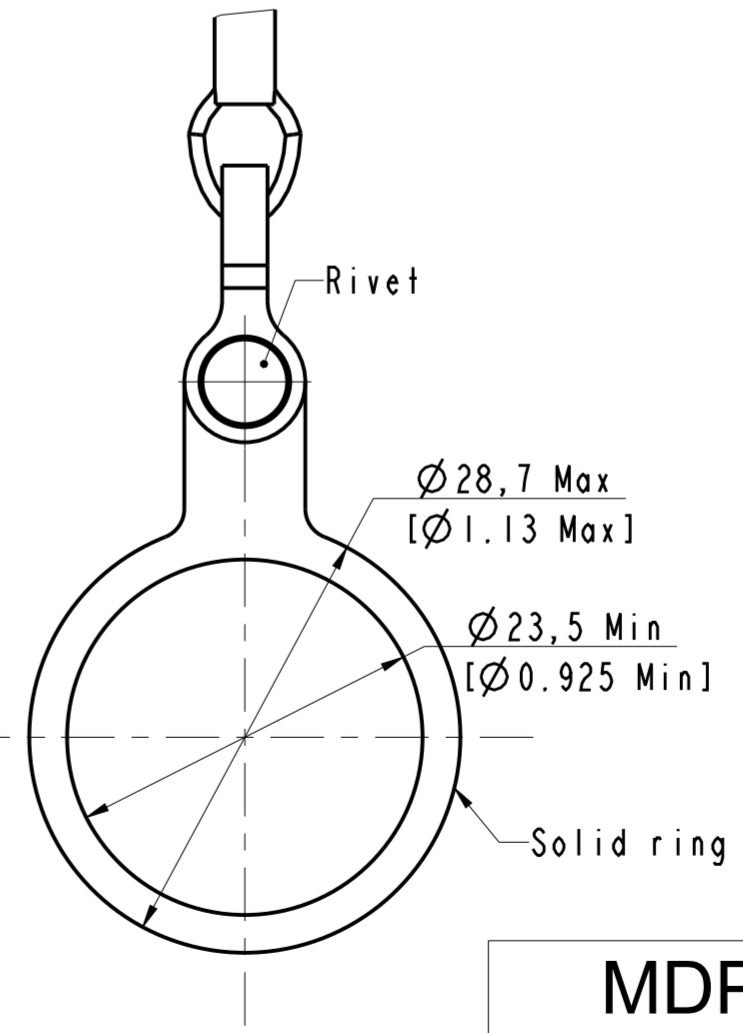
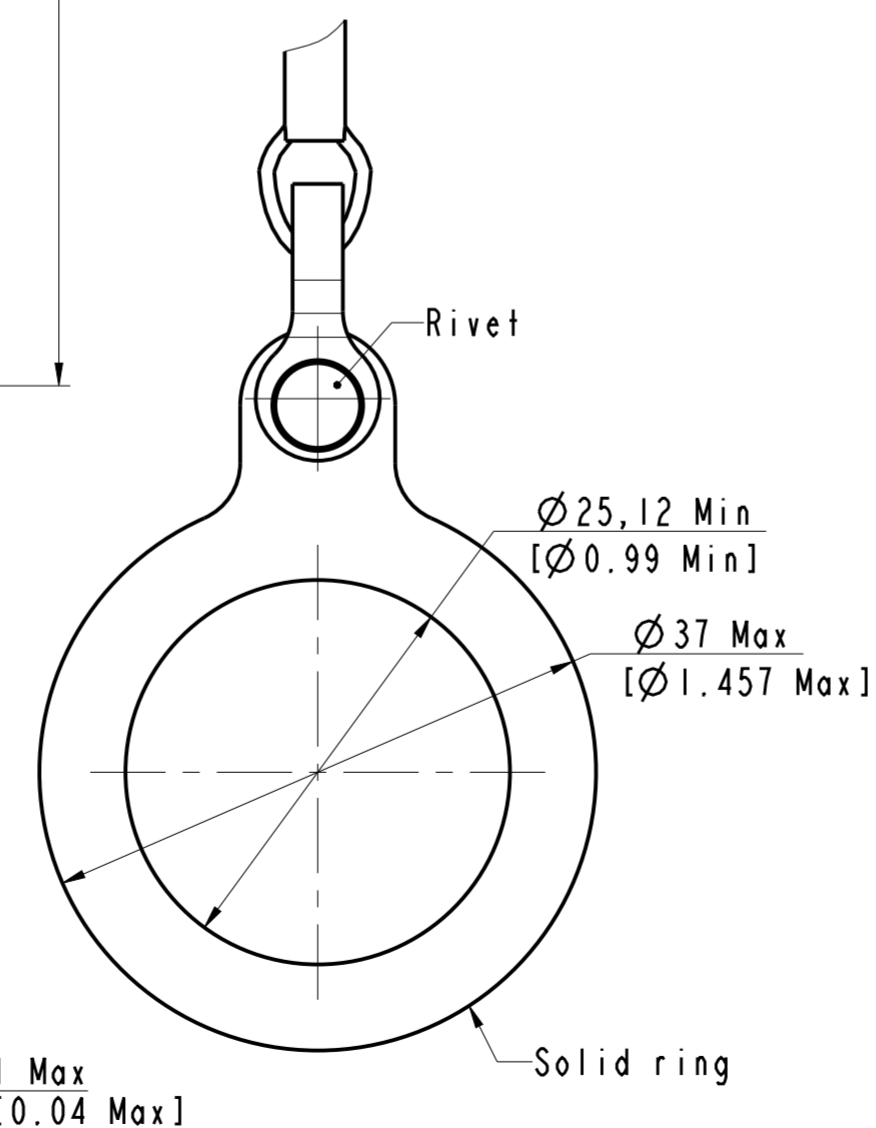
**MDPF TVC 7 X F057**

**MDPF TVC 6 X**



Commercial designation:  
**MDPF TVC X X FXXX**

- Blank: Standard caps.
- F057: Protective cap for reduced flange connectors (F058, F059, F311, F312).
- Finish:  
N: Nickel  
G: Olive drab cadmium  
ZN: Black zinc nickel
- Connector type:  
2: Square flange receptacle  
7: Jam nut receptacle  
6: Plug



Note:  
1. All attachments (Ferrule, Rivet, End links & Solid ring) are stainless steel passivated

<b>MDPF TV Protective caps with Nylon cord</b>			
DRAWN BY: R Reddy	UPDATED BY: R Reddy	LAST APPROVED BY: M Peter	
ALL DIMENSIONS ARE IN MM	<b>AMPHENOL SOCAPEX</b>		ORIGINAL DRAWING DATE: 30/12/21
SCALE: 2	B.P. 29 74311 THYEZ CEDEX		CONFIGURATION DATA ARE AVAILABLE IN PDM
		REV: B	PAGE: 1/1
191-PLC-1107-00			

IN THE CONSTANT PURPOSE OF IMPROVING ITS PRODUCTS, Amphenol Socapex RESERVES THE RIGHT TO MODIFY ANY DIMENSION OR CHARACTERISTICS. FM.NPD.0037.THYEZ.PUNE rev C