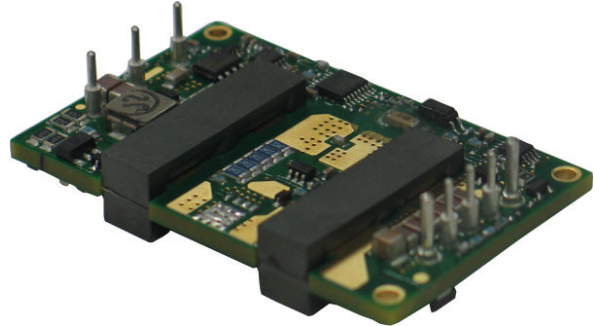


## Description

The AGQ200-48S1V8 is a single output DC-DC converter with standard quarter-brick outline and pin configuration. It delivers up to 40A output current with 1.8V output voltage. Above 88% efficiency and excellent thermal performance make it an ideal choice to supply power in telecom and datacom. It can work under -40°C ~ +85°C.



## Operational Features

- Delivering up to 40A output current
- Ultra-high efficiency 88% typ. at full load
- Wide input range: 36V ~ 75V
- Excellent thermal performance
- No minimum load requirement
- Fixed frequency operation
- RoHS 6, RoHS 5 compliant

## Control Features

- Remote control function
- Remote output sense
- Trim function: -20%~ +10%

## Protection Features

- Input under voltage lockout
- Output over current protection
- Output over voltage protection
- Over temperature protection

## Mechanical Features

- Industry standard quarter-brick pin-out outline
- Open frame or baseplate optional
- Pin length option: 3.8mm, 4.8mm, 5.8mm

## Safety & EMC

- Meets safety standards UL 60950-1, CSA-C22.2 NO. 60950-1, IEC/EN 60950-1 and GB4943
- Approved by UL and TUV
- Meets 2006/95/EEC and 93/68/EEC directives which facilitates CE marking in user's end product
- Meets conducted emission's requirements of EN55022 Class A with external filter

## Electrical Characteristics

Full operating ambient temperature range is -40°C to +85°C.

Specifications are subject to change without notice.

Parameter		Min.	Typ.	Max.	Unit	Notes & Conditions
<b>Absolute max. ratings</b>						
Input voltage	Non-operating			100	V	100ms
	Operating			80	V	Continuous
Operating temperature		-40		85	°C	
Storage temperature		-55		125	°C	
Voltage at remote ON/OFF pin		-0.7		12	V	
<b>Input characteristics</b>						
Operating input voltage range		36	48	75	V	
Input under-voltage lockout	Turn-on voltage threshold	31	34	36	V	
	Turn-off voltage threshold	30	33	35	V	
	Lockout voltage hysteresis	1		3	V	
Max. input current				2.5	A	36V <sub>in</sub> , full load
No-load input current			0.07	0.1	A	
Standby Input current			0.01	0.1	A	Remote OFF
Inrush current transient rating			0.5	1	A <sup>2</sup> s	Figure 11
Input reflected ripple current			7	20	mA	Through 12μH inductor; Figure 15
Input voltage ripple rejection		40	80		dB	120Hz
Recommended input fuse				10	A	Fast blow external fuse recommended; Figure 11
Input filter component values (C\L)			4.0\5.0		μF\μH	Internal values
Recommended external input capacitance			100		μF	Low ESR capacitor recommended; Figure 11
<b>Output characteristics</b>						
Output voltage set point (standard option)		1.77	1.80	1.83	V	48V <sub>in</sub> , full load
Output voltage line regulation			0.3	5	mV	
Output voltage load regulation			0.4	10	mV	

Parameter		Min.	Typ.	Max.	Unit	Notes & Conditions
Output voltage temperature regulation				0.02	%/°C	
Total output voltage range		1.75	1.80	1.85	V	Over sample, line, load, temperature & life
Output voltage ripple and noise			45	100	mVpp	Figure 3 20MHz bandwidth; Figure 15
Operating output current range		0		40	A	
Output DC current-limit inception		44		56	A	Hiccup: auto-restart when over-current condition is removed
Output capacitance		470	470	10000	μF	High frequency and low ESR are recommended
<b>Dynamic characteristics</b>						
Dynamic response	25% ~ 50% ~ 75% $I_{o,max}$ , 0.1A/μs		31		mV	Figure 5 Test condition: 25°C, nominal input voltage, see Figure 11
	Settling time		90		μs	Recovery to within 1% $V_{o,nom}$
	25% ~ 50% ~ 75% $I_{o,max}$ , 1A/μs		140		mV	Figure 6 Test condition: 25°C, nominal input voltage, see Figure 11
	Settling time		100		μs	Recovery to within 1% $V_{o,nom}$
	0% ~ 50% ~ 0% $I_{o,max}$ , 0.1A/μs		65		mV	
	10% ~ 100% ~ 10% $I_{o,max}$ , 0.1A/μs		63		mV	
Turn-on transient	Rise time		5	30	ms	Full load, Figure 7
	Turn-on delay time		3	10	ms	
	Output voltage overshoot			5	% $V_o$	
<b>Efficiency</b>						
100% load			88.0		%	Figure 1
50% load			88.5		%	Figure 1

## Electrical Characteristics (Continued)

Parameter	Min.	Typ.	Max.	Unit	Notes & Conditions
<b>Reliability characteristics</b>					
Calculated MTBF (telcordia)		2		10 <sup>6</sup> h	Telcordia SR-332-2006; 80% load, 300LFM, 40°C T <sub>a</sub>

Parameter	Min.	Typ.	Max.	Unit	Notes & Conditions	
<b>Isolation characteristics</b>						
Isolation voltage (conditions: 1mA for 60s, slew rate of 1500V/10s)		2250		V	Basic insulation, pollution degree 2, pollution degree 2, input to output	
<b>Feature characteristics</b>						
Switching frequency		280		kHz		
Remote ON/OFF control (positive logic)	Off-state voltage	-0.7		1.2	V	See Figure 12
	On-state voltage	3.5		12	V	
Remote ON/OFF control (negative logic)	Off-state voltage	3.5		12	V	
	On-state voltage	-0.7		1.2	V	
Output voltage trim range	1.44		1.98	V	See <i>Trim Characteristics</i> of <i>Application Note</i>	
Output voltage remote sense range			0.5	V		
Output over-voltage protection	120		140	%V <sub>o,nom</sub>	Hiccup: auto-restart when over-voltage condition is removed	
Over-temperature shutdown	110		135	°C	Auto recovery; Test point: see Figure 18	
Over-temperature hysteresis	5			°C		

## Qualification Testing

Parameter	Unit (pcs)	Test condition
Halt test	4 ~ 5	T <sub>a,min</sub> -10°C to T <sub>a,max</sub> +10°C, 5°C step, V <sub>in</sub> =min to max, 0 ~ 105% load
Vibration	3	Frequency range: 5Hz ~ 20Hz, 20Hz ~ 200Hz, A.S.D: 1.0m <sup>2</sup> /s <sup>3</sup> , -3db/oct, axes of vibration: X/Y/Z Time: 30min/axis
Mechanical shock	3	30g, 6ms, 3axes, 6directions, 3time/direction
Thermal shock	3	-40°C to 100°C, unit temperature 20cycles
Thermal cycling	3	-40°C to 55°C, temperature change rate: 1°C/min, cycles: 2cycles
Humidity	3	40°C, 95%RH, 48h
Solder ability	15	IPC J-STD-002C-2007

# Characteristic Curves

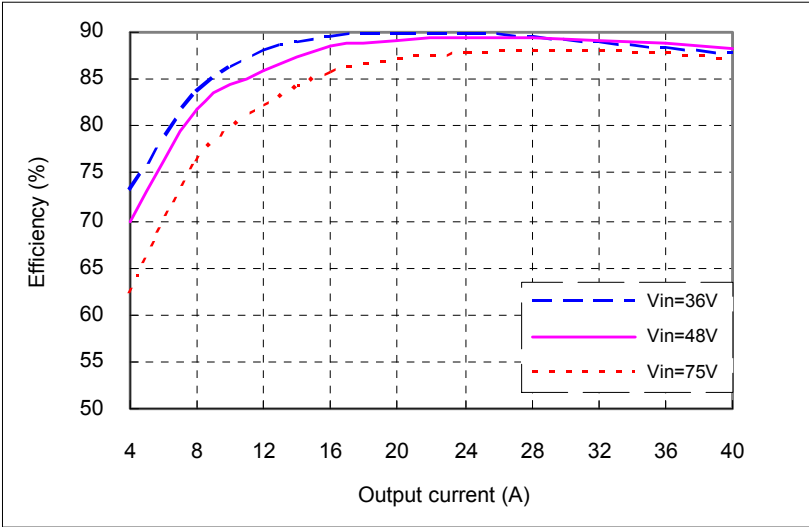


Figure 1 Efficiency vs. output current,  $T_a=25^{\circ}\text{C}$ ,  $V_o=1.8\text{V}$

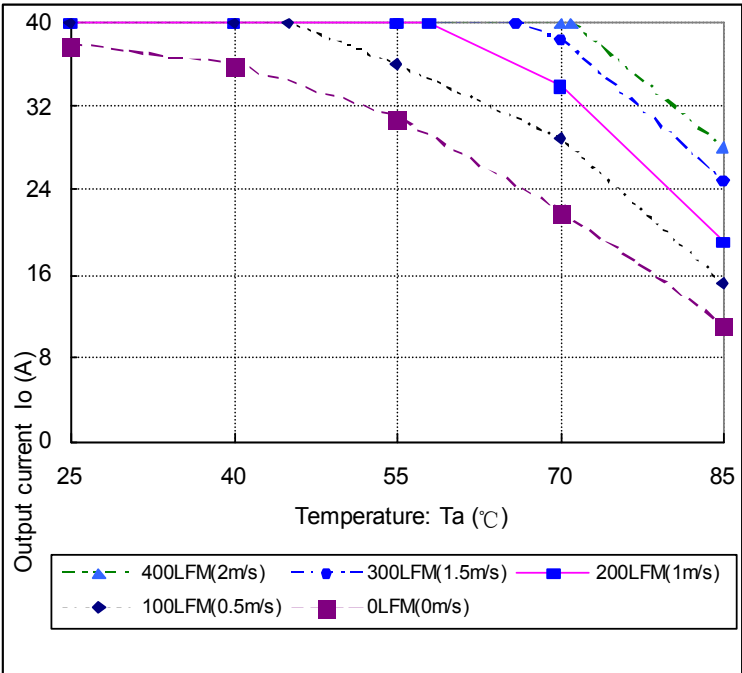


Figure 2 Output power derating,  $48\text{V}_{in}$ , air flowing across the converter from pin 1 to pin 3

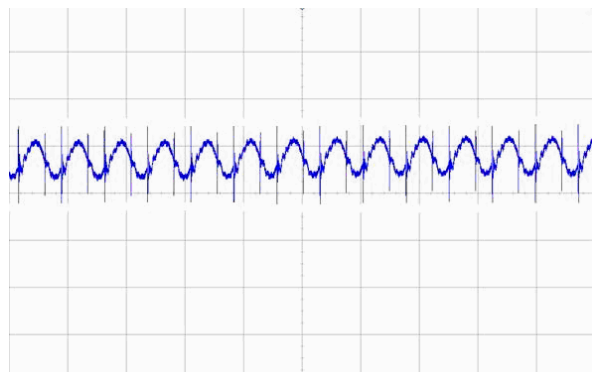


Figure 3 Output ripple & noise (5 $\mu$ s/div, 20mV/div), see Figure 11 for test configuration

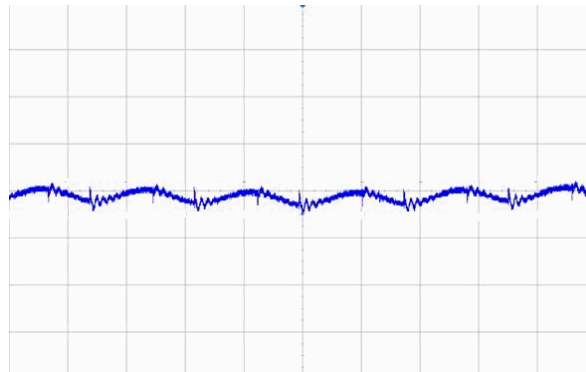


Figure 4 Input reflected ripple current (2 $\mu$ s/div, 5mA/div), see Figure 11 for test configuration

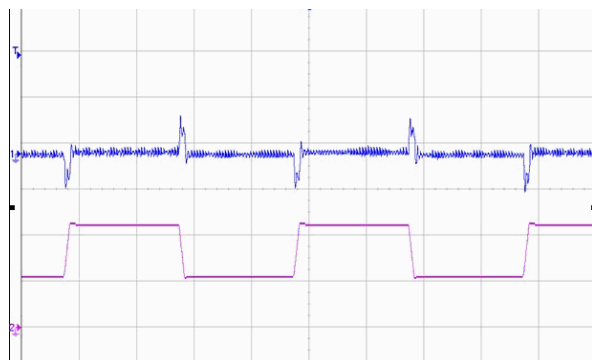


Figure 5 Dynamic response for 25% load step (25% ~ 50% ~ 25%) and 0.1A/ $\mu$ s slew rate, (2ms/div), see Figure 11 for test configuration; CH1-output voltage (50mV/div); CH2-output current (10A/div)

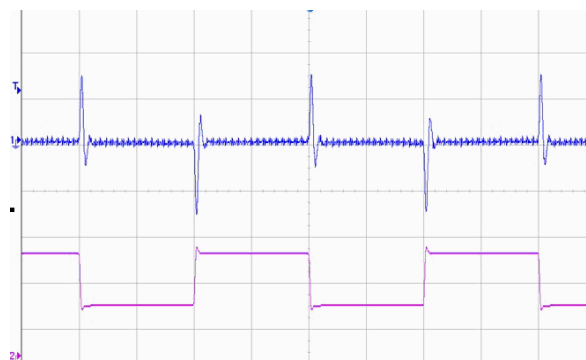


Figure 6 Dynamic response for 25% load step (25% ~ 50% ~ 25%) and 1A/ $\mu$ s slew rate, (2ms/div), see Figure 11 for test configuration; CH1-output voltage (100mV/div); CH2-output current (10A/div)

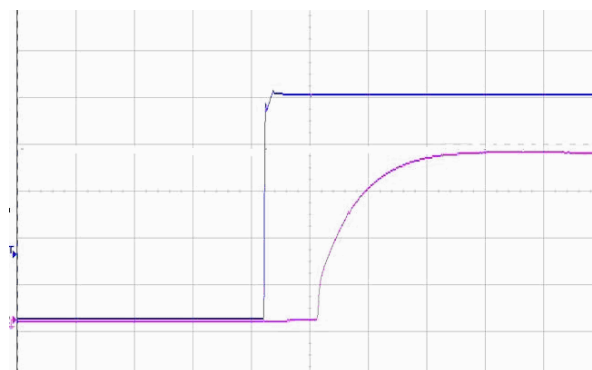


Figure 7 Output voltage startup by power on, (2ms/div), see Figure 11 for test configuration; CH1-input voltage (10V/div); CH2-output voltage (500mV/div)

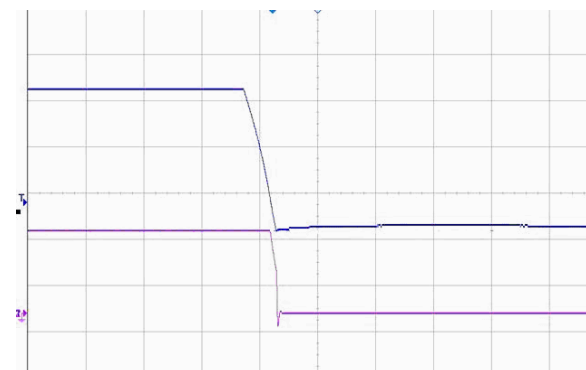


Figure 8 Output voltage shut down by power off, (2ms/div), see Figure 11 for test configuration; CH1-input voltage (10V/div); CH2-output voltage (1V/div)

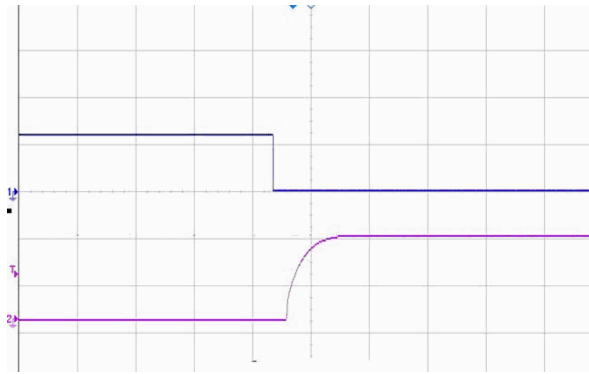


Figure 9 Output voltage startup by remote ON, (5ms/div), see Figure 11 for test configuration; CH1-remote ON (5V/div); CH2-output voltage (1V/div)

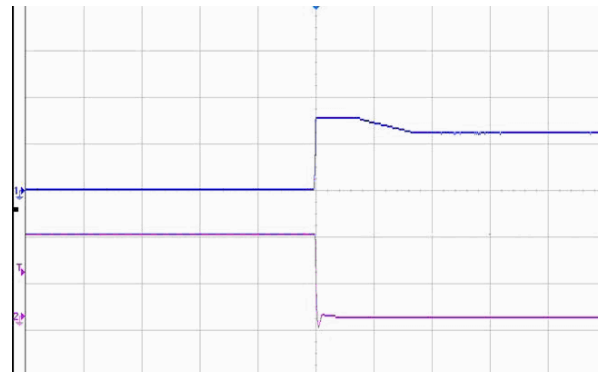


Figure 10 Output voltage shutdown by remote OFF, (1ms/div), see Figure 11 for test configuration; CH1-remote OFF (5V/div); CH2-output voltage (1V/div)

# Application Note

## Typical Application

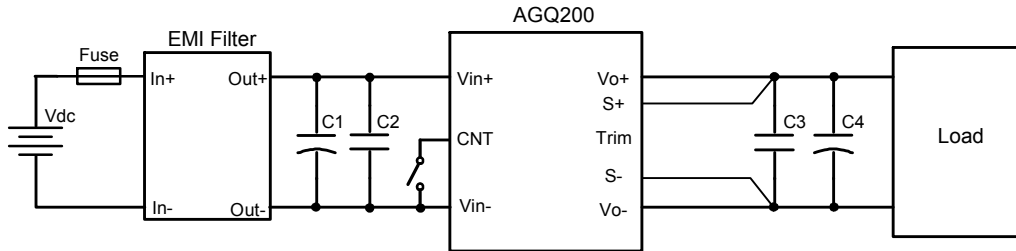


Figure 11 Typical application

C1: 100 $\mu$ F/100V electrolytic capacitor, P/N: UVZ2A101MPD (Nichicon) or equivalent caps

C2: 1 $\mu$ F/100V X7R ceramic capacitor

C3: 1 $\mu$ F/25V X7R ceramic capacitor

C4: 470 $\mu$ F/25V electrolytic capacitor, P/N: UPM1E471MPD (Nichicon) or equivalent caps

External fast blow fuse with a rating of 15A should be used in the application.

If the load is far from the unit, connect S+ and S- to the terminal of the load respectively to compensate the voltage drop on the transmission line.

## Remote ON/OFF

Either positive or negative remote ON/OFF logic is available in AGQ200-48S1V8. The following figure is the detailed internal circuit and reference in AGQ200-48S1V8.

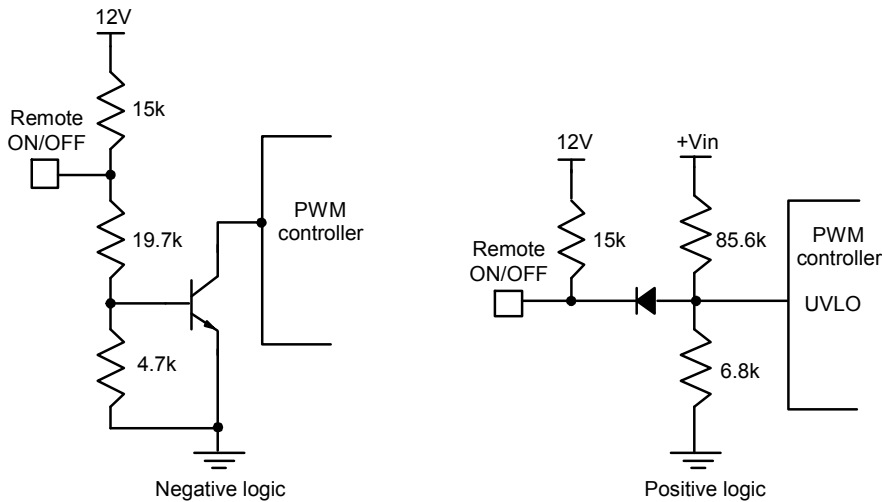


Figure 12 Remote ON/OFF internal diagram



### Trim Characteristics

Connecting an external resistor between Trim pin and  $V_{o-}$  pin will decrease the output voltage. While connecting it between Trim and  $V_{o+}$  will increase the output voltage. The following equations determine the external resistance to obtain the trimmed output voltage.

$$R_{trim-down} = \frac{510}{\Delta} - 10.2(k\Omega)$$

$$R_{trim-up} = \frac{5.1 \times V_{nom} \times (100 + \Delta)}{1.225 \times \Delta} - \frac{510}{\Delta} - 10.2(k\Omega)$$

$$\Delta = (V_o - V_{nom}) \times 100 / V_{nom}$$

$V_{nom}$  : Nominal output voltage

For example, to get 1.98V output, the trimming resistor is

$$R_{trim-up} = \frac{5.1 \times 1.8 \times (100 + (1.98 - 1.8) \times 100 / 1.8)}{1.225 \times (1.98 - 1.8) \times 100 / 1.8} - \frac{510}{(1.98 - 1.8) \times 100 / 1.8} - 10.2 = 21.2(k\Omega)$$

The output voltage can also be trimmed by potential applied at the Trim pin.

$$V_o = 0.735V_{trim} + 0.9$$

Where  $V_{trim}$  is the potential applied at the Trim pin, and  $V_o$  is the desired output voltage.

When trimming up, the output current should be decreased accordingly so as not to exceed the maximum output power.

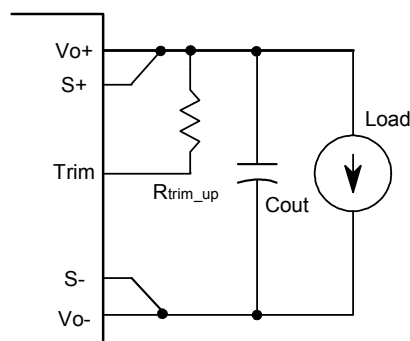


Figure 13 Trim up

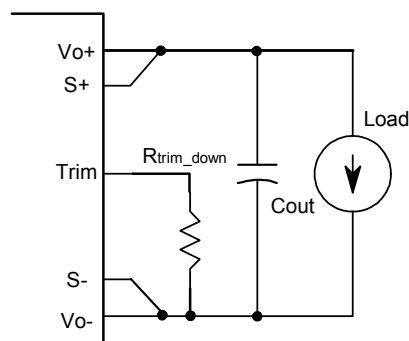


Figure 14 Trim down

### Input Ripple & Inrush Current And Output Ripple & Noise Test Configuration

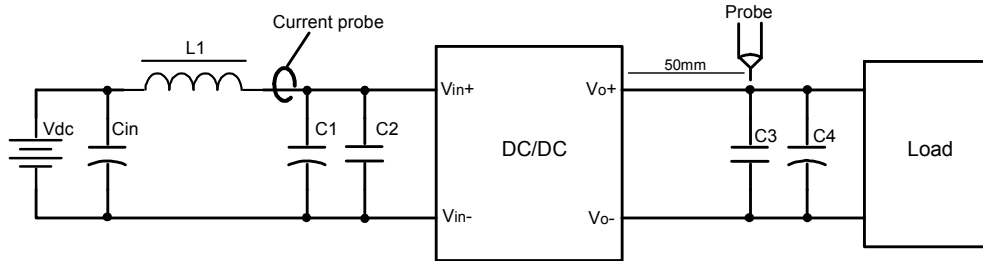


Figure 15 Input ripple & inrush current, ripple & noise test configuration

- Vdc: DC power supply
- L1: 12μH
- Cin: 220μF/100V typical
- C1 ~ C4: See Figure 11

### EMC Filter Configuration

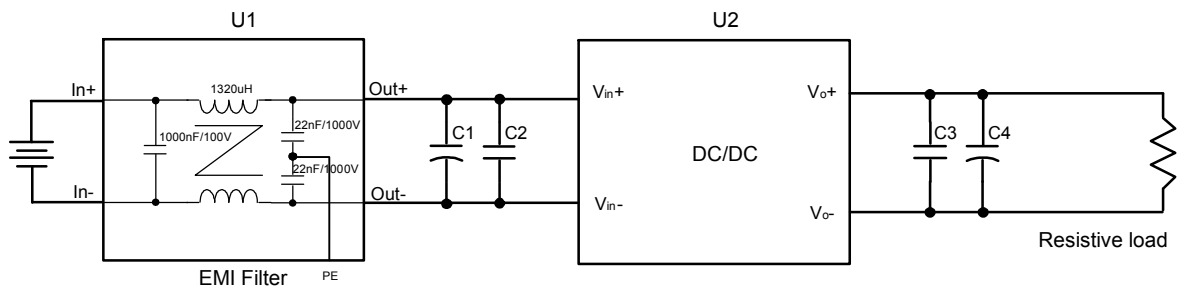
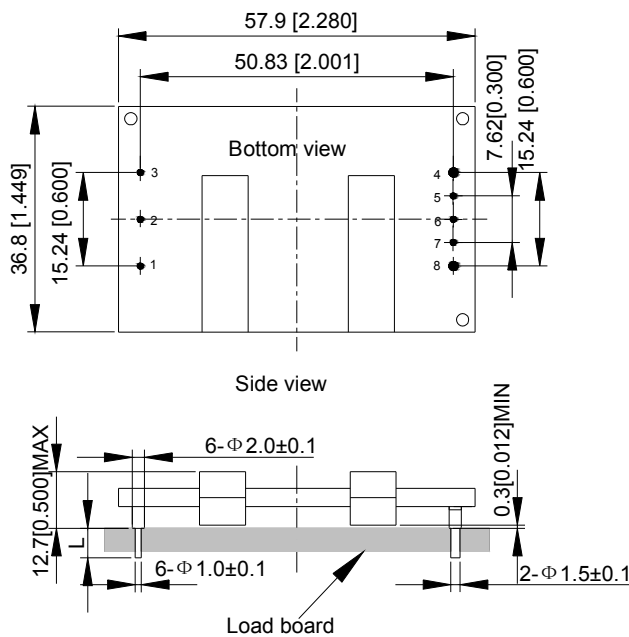


Figure 16 EMC test configuration

- U1: 5A input EMC filter module
- U2: Module to test, AGQ200-48S1V8
- C1 ~ C4: See Figure 11

Mechanical Diagram



Unit: mm[inch] Bottom view: pin on upside

Tolerance: X.Xmm±0.5mm[X.X in.±0.02in.]  
 X.XXmm±0.25mm[X.XX in.±0.01in.]

Figure 17 Mechanical diagram

Pin length options

Device code suffix	L
-4	4.8mm±0.2mm
-6	3.8mm±0.2mm
-8	2.8mm±0.2mm
None	5.8mm±0.2mm

## Pin Designations

Pin NO.	Name	Function
1	V <sub>in</sub> <sup>+</sup>	Positive input voltage
2	Remote ON/OFF	Remote control
3	V <sub>in</sub> <sup>-</sup>	Negative input voltage
4	V <sub>o</sub> <sup>-</sup>	Negative output voltage
5	S-	Negative remote sense
6	Trim	Output voltage trim
7	S+	Positive remote sense
8	V <sub>o</sub> <sup>+</sup>	Positive output voltage

## Soldering

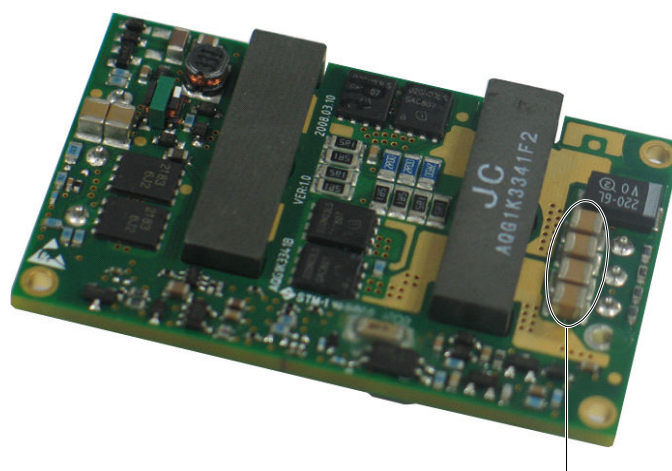
The product is intended for standard manual or wave soldering.

When wave soldering is used, the temperature on pins is specified to maximum 260°C for maximum 7s.

When manual soldering is used, the iron temperature should be maintained at 300°C ~ 380°C and applied to the converter pins for less than 10s. Longer exposure can cause internal damage to the converter.

Cleaning of solder joint can be performed with cleaning solvent IPA or similitive.

## Thermal Considerations



Note: When the temperature of this test point is lower than 100°C, the module thermal reliability is available

Figure 18 Temperature test point on converter

### Ordering Information

<b>AGQ200</b>	<b>-</b>	<b>48</b>	<b>S</b>	<b>1V8</b>	<b>P</b>	<b>B</b>	<b>-</b>	<b>4</b>	<b>L</b>
①		②	③	④	⑤	⑥		⑦	⑧

①	Model series	AGQ: series name, 200: rated output power 200W. The lower output is limited by its current
②	Input voltage	48: 36V ~ 75V input range, rated input voltage 48V
③	Output number	S: single output. D:dual output
④	Rated output voltage	1V8: 1.8V output
⑤	Remote ON/OFF logic	Default: negative logic; P: positive logic
⑥	Baseplated	Baseplated. Default: no baseplate.
⑦	Pin length	-4: 4.8±0.2mm
⑧	RoHS status	L: RoHS, R6; Y: RoHS, R5

Model number	Description
AGQ200-48S1V8-4L	4.8mm pin length; negative on/off logic; no baseplate; R6 compliant
AGQ200-48S1V8P-4L	4.8mm pin length; positive on/off logic; no baseplate; R6 compliant
AGQ200-48S1V8B-4L	4.8mm pin length; negative on/off logic; baseplated; R6 compliant
AGQ200-48S1V8PB-4L	4.8mm pin length; positive on/off logic; baseplated; R6 compliant
AGQ200-48S1V8-4Y	4.8mm pin length; negative on/off logic; no baseplate; R5 compliant

## Hazardous Substances Announcement (RoHS Of China R6)

Hazardous substances					
Pb	Hg	Cd	Cr <sup>6+</sup>	PBB	PBDE
○	○	○	○	○	○
<p>○: Means the content of the hazardous substances in all the average quality materials of the part is within the limits specified in SJ/T-11363-2006</p> <p>√: Means the content of the hazardous substances in at least one of the average quality materials of the part is outside the limits specified in SJ/T11363-2006</p>					
<p>Emerson Network Power Co., Ltd. has been committed to the design and manufacturing of environment-friendly products. It will reduce and eventually eliminate the hazardous substances in the products through unremitting efforts in research. However, limited by the current technical level, the following parts still contain hazardous substances due to the lack of reliable substitute or mature solution:</p> <ol style="list-style-type: none"> <li>1. high-temperature solder contain plumbum.</li> <li>2. Glass of electric parts contains plumbum.</li> <li>3. Copper alloy of pins contains plumbum</li> </ol>					

## Hazardous Substances Announcement (RoHS Of China R5)

Hazardous substances					
Pb	Hg	Cd	Cr <sup>6+</sup>	PBB	PBDE
√	○	○	○	○	○
<p>○: Means the content of the hazardous substances in all the average quality materials of the part is within the limits specified in SJ/T-11363-2006</p> <p>√: Means the content of the hazardous substances in at least one of the average quality materials of the part is outside the limits specified in SJ/T11363-2006</p>					
<p>Emerson Network Power Co., Ltd. has been committed to the design and manufacturing of environment-friendly products. It will reduce and eventually eliminate the hazardous substances in the products through unremitting efforts in research. However, limited by the current technical level, the following parts still contain hazardous substances due to the lack of reliable substitute or mature solution:</p> <ol style="list-style-type: none"> <li>1. Solders (including high-temperature solder in parts) contain plumbum.</li> <li>2. Glass of electric parts contains plumbum.</li> <li>3. Copper alloy of pins contains plumbum</li> </ol>					