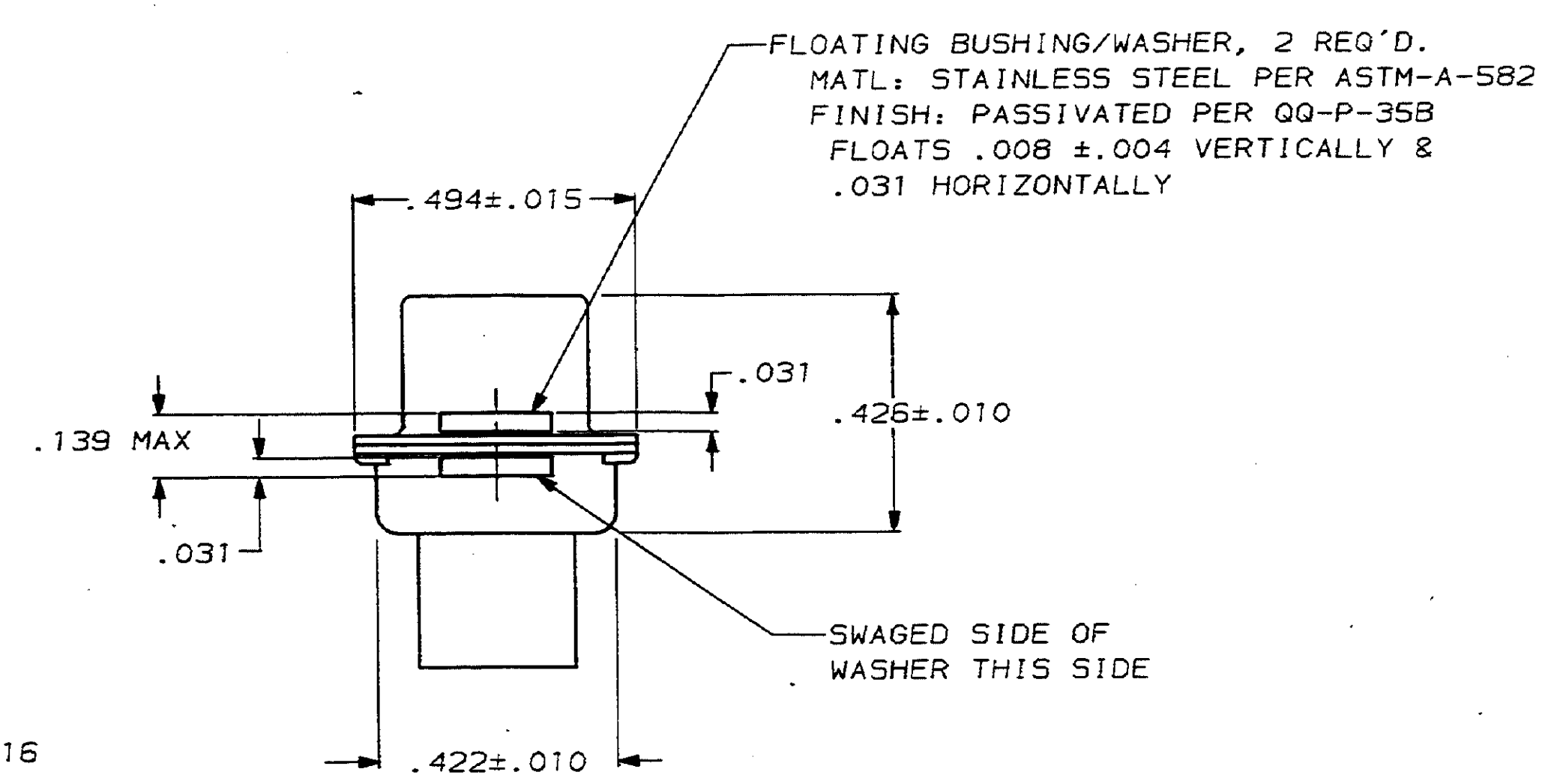
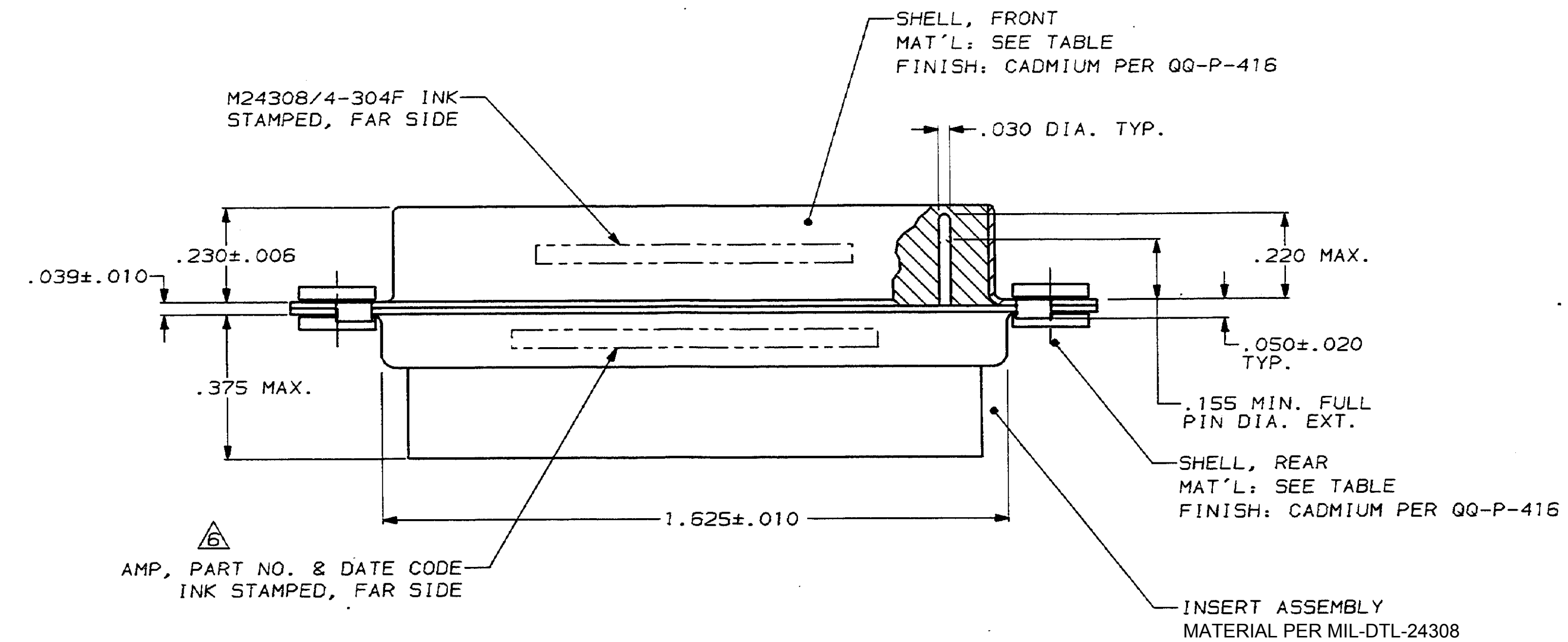
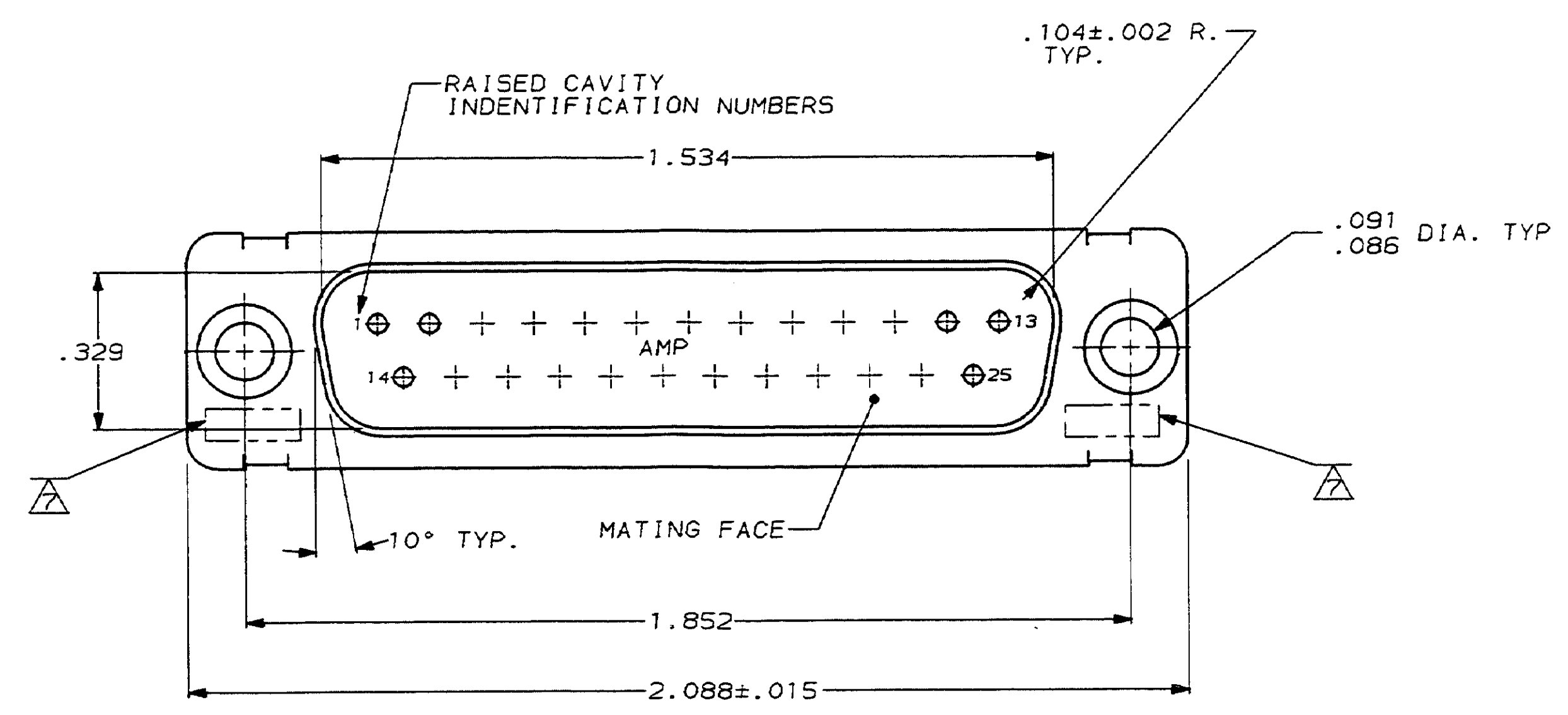


PROD CODE	LOC	QTY	DF	DO	ZONE	LTR	REVISIONS	DATE	APPD
5066	DF	DO					K REV & REDRAWN; ECN DF-0021 & DF-0160	12-8 87	FB
							L REV-ECN DF-1034	12-6-88	TC
							M REV PER ECO 15-005907	5-15	DM
							N REV PER ECO115-016062	11-15	CD



- THIS PLUG IS DESIGNED TO CONFORM TO THE LATEST ISSUE OF MIL-C-24308
 - MAX WIRE INSUL. TO BE USED WITH THIS PLUG IS .068 DIA.
 - STAINLESS STEEL RETENTION CLIPS ARE INCLUDED IN INSERTS
 - PACKAGE STAMPED M 24308/4-326F.
 - THIS PLUG WILL ACCEPT SIZE 20 PIN CONTACT M24308/11 OR AMP # 205089
- △ AMP PART NO. STAMPED ON CONNECTOR REPRESENTS KIT NUMBER WITH CONTACTS
- △ UL/CSA DESIGNATION STAMPED IN THIS AREA.

OBSOLETE	BRASS	205413-2
	STEEL PER ASTM-A-109	205413-1
	SHELL MAT'L	PART NO

DO NOT SCALE PRINT. UNLESS SPECIFIED DIMENSIONS IN INCHES TOLERANCES ON : 2 PLC DEC ± .005 3 PLC DEC ± .005 ANGLES ± 0°30'	DR 12-8-87 C.C. THOMAS CHK 12-10-87 F.C. BALLEW III APPD 12-10-87 F.C. BALLEW III APPD 12-10-87 D.J.M.	NAME AMPLIMITE PLUG FOR PIN CONTACTS HI-DENSITY "HDM-20" CONNECTOR SIZE 3 (25 POSN) SERIES 109 WITH FLOAT BUSHINGS
SEE CALLOUTS	PRODUCT SPEC	
FINISH SEE CALLOUTS	APPLICATION SPEC	
	WEIGHT	
	SIZE D	FSCM NO 00779
	SCALE 4:1	DRAWING NO 205413
		REV N
		SHEET 1 OF 1